

**TECHNICAL MANUAL
HT EL EXCITER
DUAL CARRIER IRT**

888-2452-001

HARRIS

T.M. No. 888-2452-001

© Copyright 1999, 2001, 2002, 2009

Harris Corporation

All rights reserved

Rev. C: 12-23-09

MANUAL REVISION HISTORY
HT EL EXCITER
DUAL CARRIER IRT
888-2452-001

Rev.	Date	ECN	Pages Affected
001-A1	09-13-99	45114	Replaced Title Page and all of Section VII Added MRH-1/MRH-2
001-A2	09-28-99	45134	Replaced Title Page, MRH-1/MRH-2, and all of Section VII
001-A3	10-14-99	45285	Replaced Title Page, MRH-1/MRH-2, and all of Section VII
001-A4	11-15-01	47702	Replaced Title Page, MRH-1/MRH-2, and all of Section VII
001-A5	03-06-02	47941	Replaced Title Page, MRH-1/MRH-2, and all of Section VII
001-C	12-23-09	58487	Replaced Title Page, MRH-1/MRH-2, Corrected Agile vs IB revision level

TABLE OF CONTENTS

Section I		Functional Description	4-6
General Information		IF Linearity Corrector	4-6
Introduction	1-1	Functional Description	4-6
Equipment Description	1-1	Detailed Description	4-6
Section II		ICPM Corrector	4-7
Installation		Monitoring Circuitry	4-7
Introduction	2-1	Vision Upconversion	4-7
Unpacking	2-1	RF Output Amplifiers	4-7
Installation in the Transmitter	2-1	1 Watt Final Amplifier	4-7
Input Power Selection	2-1	Functional Description	4-7
Independent Exciter Mounting	2-1	Theory Of Operation	4-7
Exciter Inputs And Outputs	2-1	RF Path	4-7
Exciter Remote Control Connections	2-1	RF Sample Detection	4-7
Circuit Boards	2-1	AGC Loop (Vision)	4-7
Section III		AGC Loop (Single Carrier Sound)	4-7
Operation		AGC Loop (Dual Carrier Sound)	4-7
Introduction	3-1	Alignment	4-7
Control and Indicators	3-1	Frequency Syntheses	4-8
Bench Testing	3-1	VHF Synthesizer Card 1	4-8
Section IV		Circuit description	4-8
Theory Of Operation		Detailed Circuit Description	4-8
Introduction	4-1	10MHz Generation	4-8
Vision Theory Of Operation	4-1	5MHz Generation	4-8
Video Processing/Diff Gain Corrector Circuit Board	4-1	16MHz Generation	4-8
Functional Description	4-1	800kHz Generation	4-9
Detailed Theory of Operation	4-2	IF Generation	4-9
Input stage	4-2	VHF Synthesizer Card #2	4-10
Sync removal and Reinsertion Stage	4-2	Circuit Description	4-10
Diff Gain and LFL stage	4-2	Detailed Circuit Description	4-10
Diff Gain stage	4-2	Synthesizer Card 3	4-10
LFL stage	4-2	Signal Flow And Frequency Programming	4-11
Output stage	4-2	DDS (Direct Digital Synthesis) Circuitry	4-11
Video Group Delay Equalizer	4-3	Programming of Frequency Offset	4-11
Functional Description	4-3	SSB Mixing	4-12
Video Input and Output Circuitry	4-3	Digital PLL Tracking Filter	4-12
Group Delay Sections	4-3	Final Synthesizer Output	4-12
Response Correction Circuitry	4-3	Detailed Circuitry	4-12
Differential Phase Corrector	4-3	Division By 8 And Quadrature-phasing Cir-	4-12
Functional Description	4-3	cuitry	4-12
Detailed Description	4-3	TTL to SSB Mixer Interface Circuitry	4-12
Monitoring Circuits	4-3	SSB Mixer Circuitry	4-13
Clamp Circuitry	4-3	Tracking Filter Circuitry	4-13
Modulator/Delay Compensator Board	4-5	Offset Card (#3) Adjustments	4-13
Modulator Circuit	4-5	IRT Sound Modulation System	4-13
Functional Description	4-5	Aural Channel 1 Synthesizer - 992-9012-001	4-13
Detailed Description	4-5	Functional Description	4-13
Monitoring	4-5	Detailed Circuit Theory	4-14
Delay Compensator Circuit	4-5	Aural Channel 2 Synthesizer - 992-9035-001	4-14
Functional Description	4-5	Functional Description	4-14
Detailed Description	4-5	Detailed Circuit Theory	4-14
VSB/AGC Board	4-6	Sound Linearization Pre-Corrector	4-14
Vestigial Sideband Filter Circuit	4-6	Functional Description	4-14
VSB Signal Path	4-6	Detailed Theory	4-14
Bypass Path	4-6	Dual Carrier Power Detector	4-15
AGC Circuit (Visual)	4-6	Functional Description	4-15
Linearity/Quadrature Corrector Board	4-6	Detailed Theory	4-15
		First Conversion	4-15
		Second Conversion	4-15

AGC	4-15
Carrier Detectors	4-15
Adjustments	4-15
Exciter Chassis	4-15
Exciter Meter Board - 992-8946-002	4-15
Functional Description	4-15
Transmitter Control	4-15
Theory of Operation	4-15
Transmitter Control (Sheet 9)	4-15
Loss Of Video Delay Detector	4-16
Override/Normal Selection	4-16
Metering and Meter Control	4-17
Main Power Supply	4-17
Positive 24 Volt Supply	4-17
Positive and Negative 15 Volt Supplies	4-17
Positive and Negative 5 Volt Supplies	4-17
Mother Board	4-18
CMR Filter	4-18
Extender Card	4-18

**Section V
Maintenance**

Introduction	5-1
Exciter Adjustment Sequence	5-1
Transmitter Adjustment Sequence	5-1
Safety Considerations	5-1
Vision Exciter Video Alignments	5-1
Video Input Card	5-1
Initial System Setup	5-1
Control Presetting	5-1
Loss of Video Adjustment	5-2
Sync Removal Adjustment	5-2
Sync Level Adjustment	5-2
Frequency Response and Group Delay	5-2
Sync Parameter Adjustment	5-2
White Clip Adjustment	5-2
Operation	5-2
Setting the Video Level	5-2
Correction for luminance linearity error	5-3
Correction for differential gain	5-3
Sync Level Adjustment	5-3
Notch Diplexer/Receiver Equalizer	5-3
Video Level and Response Alignment	5-3
Frequency Response Alignment	5-3
Delay and Response Adjustments (System Pre-correction)	5-4
Differential Phase Corrector	5-4
Clamp Pulse Alignment	5-4
Frequency response Alignment	5-4
Differential Phase Adjustment (System Pre- correction)	5-4
Vision Modulator and IF	5-4
Vision Modulator Alignment Procedure	5-4
Equalizer Adjustments	5-5
Alignment Procedure	5-5
Delay Compensator Adjustment Through Transmitter	5-6
VSB and AGC Card	5-8
VSB Filter Gain Alignment	5-8
IF AGC Adjustment (Vision)	5-8

IF Linearity and Quadrature Correction (Coarse Dif- ferential Gain and ICPM)	5-8
Sound Alignment	5-9
Sound Channel 1 Synthesizer Alignments	5-9
VCO Frequency	5-9
Audio Level Meter Calibration	5-9
Modulation Level Adjust	5-9
Deviation Metering	5-9
Sound Channel 2 Synthesizer Alignments	5-9
VCO Frequency Alignment	5-9
Audio Level Meter Calibration	5-9
Modulation Level Adjust	5-9
Deviation Metering	5-9
Sound Linearization Card	5-9
Level Adjustment	5-9
Linearization Adjustment	5-9
IF Gain correction	5-9
Phase Correction	5-10
Dual Sound Detector	5-10
Exciter Final Amplifier	5-10
Alignment	5-10
Frequency Synthesis	5-10
VHF Synthesizer Card 1	5-10
10MHz Frequency Standard Adjustment	5-10
Internal PFC Adjustment	5-10
External PFC Adjustment	5-10
Testing An Untuned Card 1 Synthesizer	5-11
Visual inspection	5-11
Programing	5-11
Test Connections	5-11
Reference frequency chain setup	5-11
PFC Setup	5-11
30MHz Peaking Adjustment	5-11
PLL Lock Adjustment	5-11
Output Filter Adjustment	5-11
FM Noise Measurement	5-11
VHF Synthesizer Card 2	5-11
Testing A Synthesizer Card 2	5-11
Visual Inspection	5-11
Programming	5-11
Test Connections	5-17
Incremental Offset PLL Setup	5-17
Main PLL Setup	5-17
FM Noise Measurement	5-17
ICPM Measurement	5-17
Final Installation	5-17
Offset Card (#3) Adjustments	5-17
Metering and Control	5-17
A/D Calibration	5-17
Exciter Metering Calibration	5-18
Exciter Vision Forward Power	5-18
Exciter Sound Channel 1 Power Calibrate	5-18
Exciter Sound Channel 2 Power Calibrate	5-18
Signal Level Metering Calibration	5-18
Exciter Video Input Level	5-18
Exciter Sound 1 Levels	5-18
Component Replacement On Circuit Boards	5-18

**Section VI
Troubleshooting**

Introduction 6-1
Warranty Returns 6-1
Factory Repair 6-1

Ordering Parts 6-1

**Section VII
DX10LF Parts List**

1.1 Introduction

This section contains a general description, overall block diagram, and specifications of the Harris VHF TV exciter designed for the IRT dual carrier sound system.

1.2 Equipment Description

The Harris VHF TV exciter is available in all CCIR standards including B, D, K1, M and N. Both the sound and vision exciters are included in a single package. All operator indicators are front-panel mounted for ease of operation. An analog and an LED digital display provides indications of exciter parameters (see Figure 1-1). Refer to the operations section for a description of the controls and indicators.

Isolated BNC connectors on the front panel allow monitoring of:

- Pre-corrected Video
- Vision IF Modulator
- Pre-corrected Vision IF

All internal circuitry is mounted on plug-in circuit boards with the exception of the two modular final amplifiers, and the power

supply. A motherboard provides power and control connections, all RF and if connections are coaxial. The mother board will accommodate 13 plug-in circuit boards. The meter and control circuit board mounts behind the front panel. The sound and vision final 1 watt amplifiers are mounted in the rear along with the power supply section.

Phase-locked loops in the vision as well as the sound circuits are stabilized from a single reference. Digital control circuits provide simple and precise user interface.

A flushing fan assures cool and reliable operation. The flow of the fan forces air between final vision and sound amplifiers and along side of the main power supply where the regulators are mounted. Cooling air exits on each side of the chassis and from the top cover after passing through the card cage where the plug-in circuit boards are housed.

The internal power supply allows operation from potentials in the 120-volt range as well as the 240-volt range, 50 or 60 Hz.

The unit mounts on slide rails for ease of adjustment. The majority of controls mounted on circuit boards are accessible from the top.

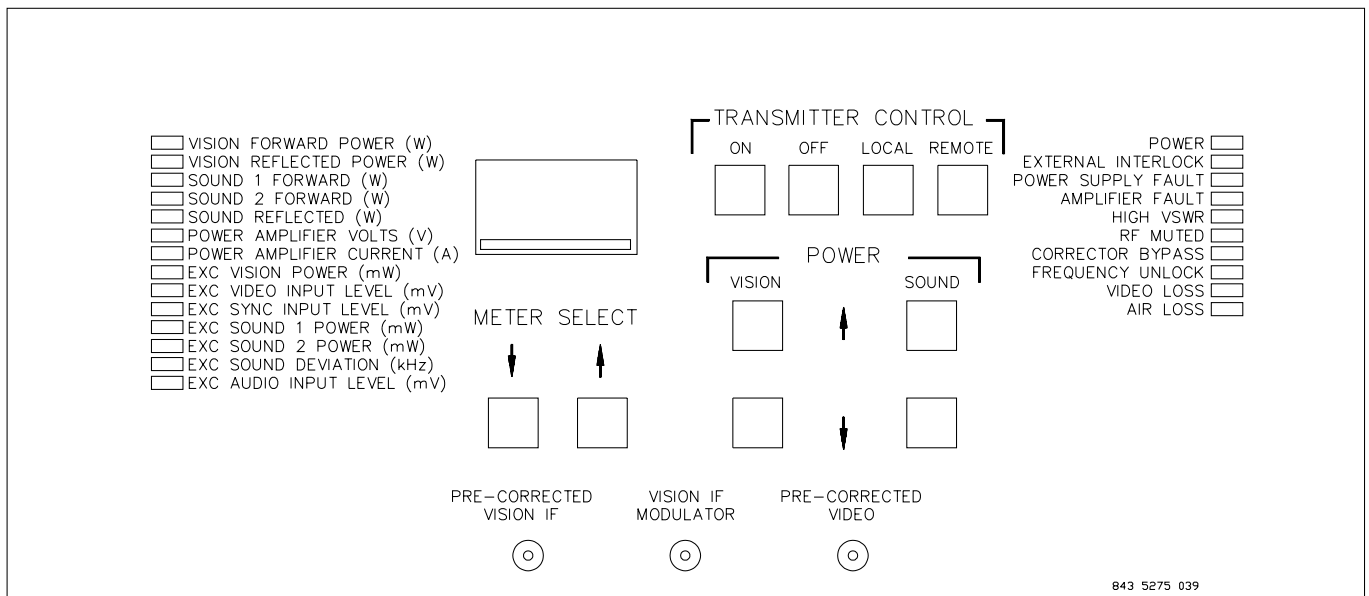


Figure 1-1. 843 5275 039

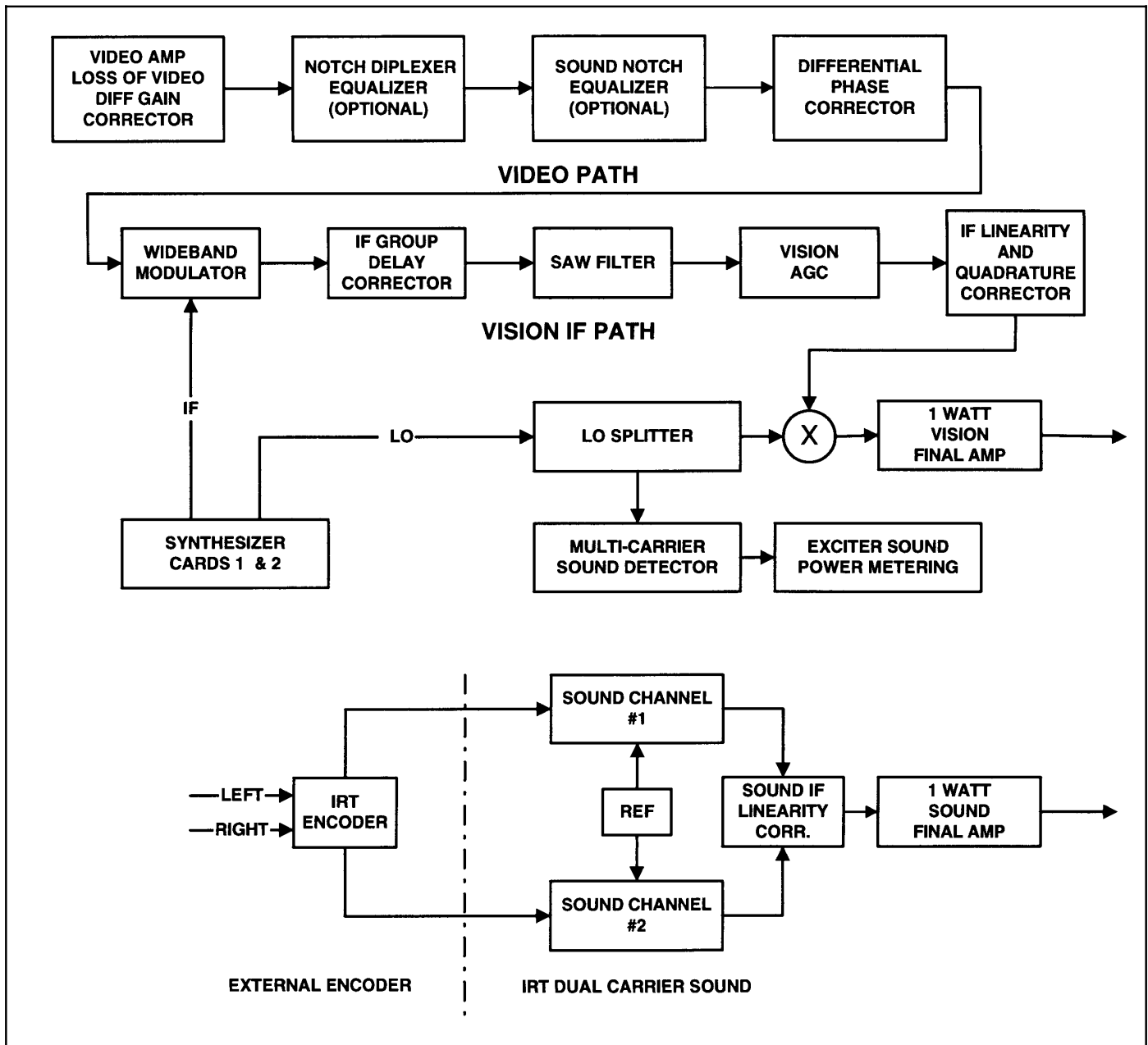


Figure 1-2. Block Diagram

Table 1-1. Specifications

Service Conditions	
Ambient Temperature Range	0 to 50°C
Ambient Humidity Range	1 to 95% non-condensing
Altitude	Sea level to 10,000 ft (3000 m.)
Physical Dimensions	19" W x 22" D x 8.75" H
	487 cm W x 56 cm D x 22 cm H
Weight	51 lbs. (23 kgs.)
AC Mains	110/120 and 198/240 volts 50 or 60 Hz
Power consumption	150 VA

2.1 Introduction

This section contains information required for installation and preliminary checkout of the VHF TV exciter.

2.2 Unpacking

The equipment becomes the property of the customer when the unit is delivered to the carrier. Carefully unpack the unit and perform a visual inspection to determine that no apparent damage has been incurred during shipment. All shipping materials should be retained until it has been determined that the unit was not damaged in shipment. Claims for damaged equipment must be filed promptly or the carrier may not accept the claim.

Each VHF TV exciter shipment consists of the following items in addition to the exciter:

- Technical Manual and drawing package
- Power cord (only with units sold separately)
- Exciter mounting hardware (only with units sold separately)

The contents of the shipment should be as indicated on the packing lists. If the contents are incomplete, or if the unit is damaged electrically or mechanically, notify the Harris Customer Service Department (Phone 217-222-8200) (FAX 217-221-7086) or at the following address:

Harris Corporation, Broadcast Division
P. O. Box 4290
Quincy, IL 62305
ATTEN: Customer Service Department

2.3 Installation in the Transmitter

The exciter is normally installed as part of a transmitter system.

WARNING

ASSURE POWER IS DISCONNECTED BEFORE PROCEEDING.

- a. Assure power is disconnected before proceeding.
- b. Set the unit on a work surface and remove any packing from the outside of the unit.

2.3.1 Input Power Selection

- a. Measure the AC mains voltage for the exciter. If different from the tested voltage proceed with input power selection.

WARNING

ASSURE POWER IS DISCONNECTED BEFORE PROCEEDING.

- b. Assure power is disconnected before proceeding.
- c. Remove the top cover of the exciter and the cover of the power supply. Check the wiring to the ac terminal strip on

the right hand side of the power supply. Refer to Exciter Power Supply schematic 839-7900-504 and assure that the exciter is wired for operation with the primary voltage with which the unit will be used (105 to 125 volt range or 210 to 250 volt range). A tag on the exciter indicates the voltage the exciter was set to when leaving the factory.

- d. If the exciter purchased was part of a transmitter, extend both rails fully and lift the exciter onto the rails over the stops. Push the exciter fully into the rack.

2.3.2 Independent Exciter Mounting

The VHF TV exciter may be mounted in any convenient location in a 19 inch (48.3 cm) rack within reach of signal and power cables. The Exciter should not be mounted directly above heat generating equipment such as power amplifier stage, otherwise no special requirements need be observed.

- a. Remove the sliding portion of each slide rail from the sides of the exciter.
- b. Mount the front edge of each slide rail to its respective side of the cabinet with the hardware supplied.

CAUTION

ASSURE THE SLIDE RAILS ARE PARALLEL AND LEVEL BEFORE DRILLING MOUNTING HOLES IN THE RACK CABINET.

- c. Assure the slide rails are parallel and level. Mark and drill holes for mounting the rear of each rail. Hardware is supplied for this purpose.
- d. After the slide rails are mounted, extend both rails fully and lift the exciter onto the rails over the stops. Push the exciter fully into the rack.

2.3.3 Exciter Inputs And Outputs

Prepare cabling for the exciter inputs and outputs. The rear-panel connections available for use on the exciter are identified by Figure 2-1 and described by Table 2-1.

The only video input cable shield connection to ground is at the video input card. Jumper plug selection of a balanced or grounded shield is available for common mode rejection.

- a. Set P2 to 2-3 for shield grounded or
- b. Set P2 to 1-2 for balanced

AC or DC video coupling is selectable with jumper plug P3.

- a. Set P3 to 2-3 for DC coupling or
- b. Set P3 to 1-2 for AC coupling

2.3.4 Exciter Remote Control Connections

Prepare cabling for the exciter remote controller. The functions available are described by Table 2-2.

2.3.5 Circuit Boards

There are 13 slots in the motherboard for exciter circuit boards. J1 is the slot on the right side when the exciter is viewed from

the front. The circuit boards install in the sequence given in Table 2-3 with the component side to the left when viewed from the front.

Figure 2-1. Exciter Rear Panel

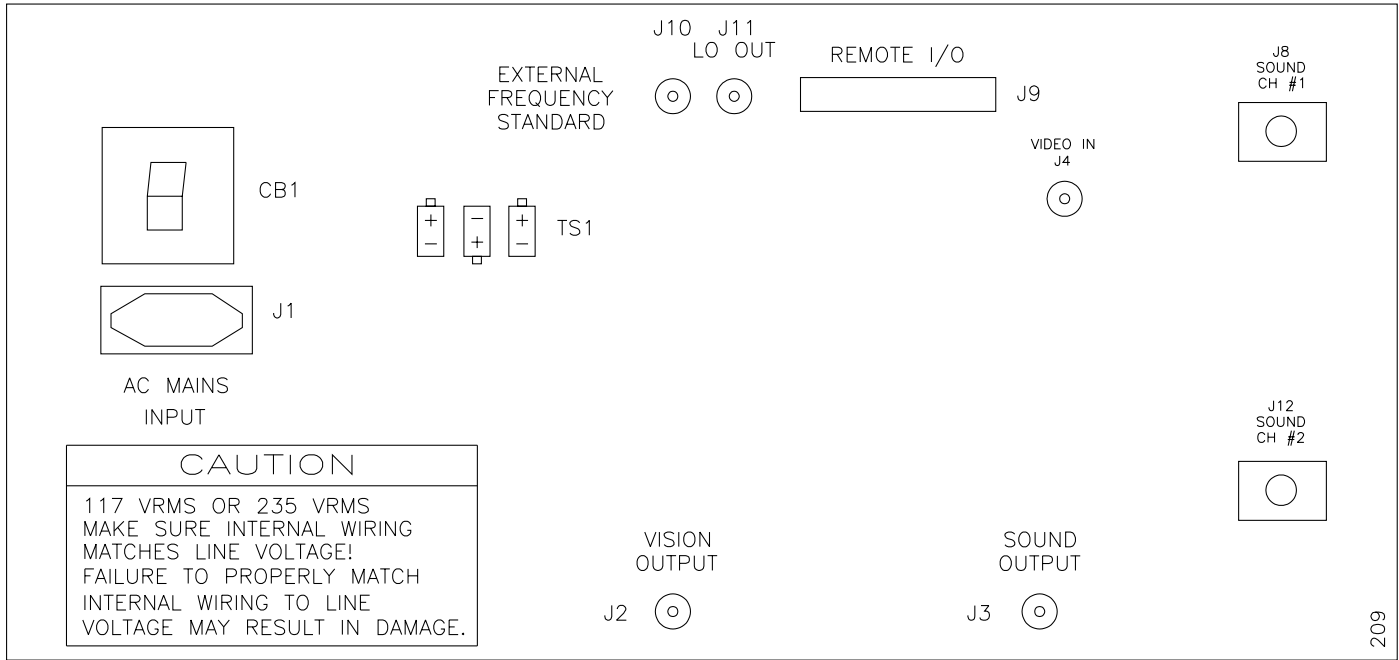


Table 2-1

Connector	Description
J-1	AC POWER
J-2	VISION RF OUTPUT
J-3	SOUND RF OUTPUT
J-4	VIDEO INPUT
J-5	
J-11	LO OUTPUT
J-7	
J-8	SOUND CHANNEL 1
J-9	REMOTE I/O
J-10	EXTERNAL FREQUENCY STANDARD
J-12	SOUND CHANNEL 2

Table 2-2. Exciter Remote Control Connections

J9

1	RMT VIS RAISE	20	COMP/MONO SELECT
2	RMT VIS LOWER	21	RMT NOTCH DIP ENABLE
3	RMT SOUND RAISE	22	RMT SOUND GROUP DELAY ENABLE
4	RMT SOUND LOWER	23	DET VIS EXC
5	CORRECTOR BYPASS	24	DET SOUND EXC
6	RMT RF MUTE	25	GND
7	PS VOLTS IN	26	XMTR ON STA
8	PS CURRENT IN	27	SOUND 2 FWD PWR IN
9	RF MUTE STA	28	AIR FAULT
10	VIDEO LOSS STA	29	HI VSWR
11	FREQ UNLOCK STA	30	MOD FAULT
12	XMTR ON CTRL	31	PS FAULT
13	XMTR OFF CTRL	32	EXT INTERLOCK
14	RMT +15V SOURCE	33	LOCAL STA
15	VIS F/B INPUT	34	VIS FWD PWR IN
16	SOUND F/B INPUT	35	VIS REF PWR IN
17	LOCAL MODE	36	SOUND 1 FWD PWR IN
18	REMOTE MODE	37	SOUND 1 REF PWR IN
19	OVER-RIDE CTRL		

Table 2-3

SLOT	CIRCUIT BOARD
J1	Video Processing/Differential Gain Corrector
J2	Notch Diplexer Equalizer (Optional)
J3	Receiver Equalizer (Optional)
J4	Differential Phase Equalizer
J5	Modulator/IF Delay Compensator
J6	VSB Filter/AGC
J7	IF Linearity/Quadrature Corrector
J8	Synthesizer #3 (Optional)
J9	Synthesizer #2
J10	Synthesizer #1
J11	Sound Channel 2
J12	Sound Linearity Corrector
J13	Sound Channel 1

3.1 Introduction

This section identifies all controls and indicators associated with the exciter.

The metering can be used to monitor exciter signals. The three BNC connections on the front can be used to monitor sample video and IF signals. The raise and lower switches are available for bench testing and may be used instead of transmitter switches.

3.2 Control and Indicators

Refer to Figure 3-1 for the location of all controls and indicators that are used for the day to day operation of the exciter. The function of each control and indicator is listed in Table 3-1.

3.3 Bench Testing

The exciter is completely self contained and may be tested on the service bench by applying the correct ac mains voltage.

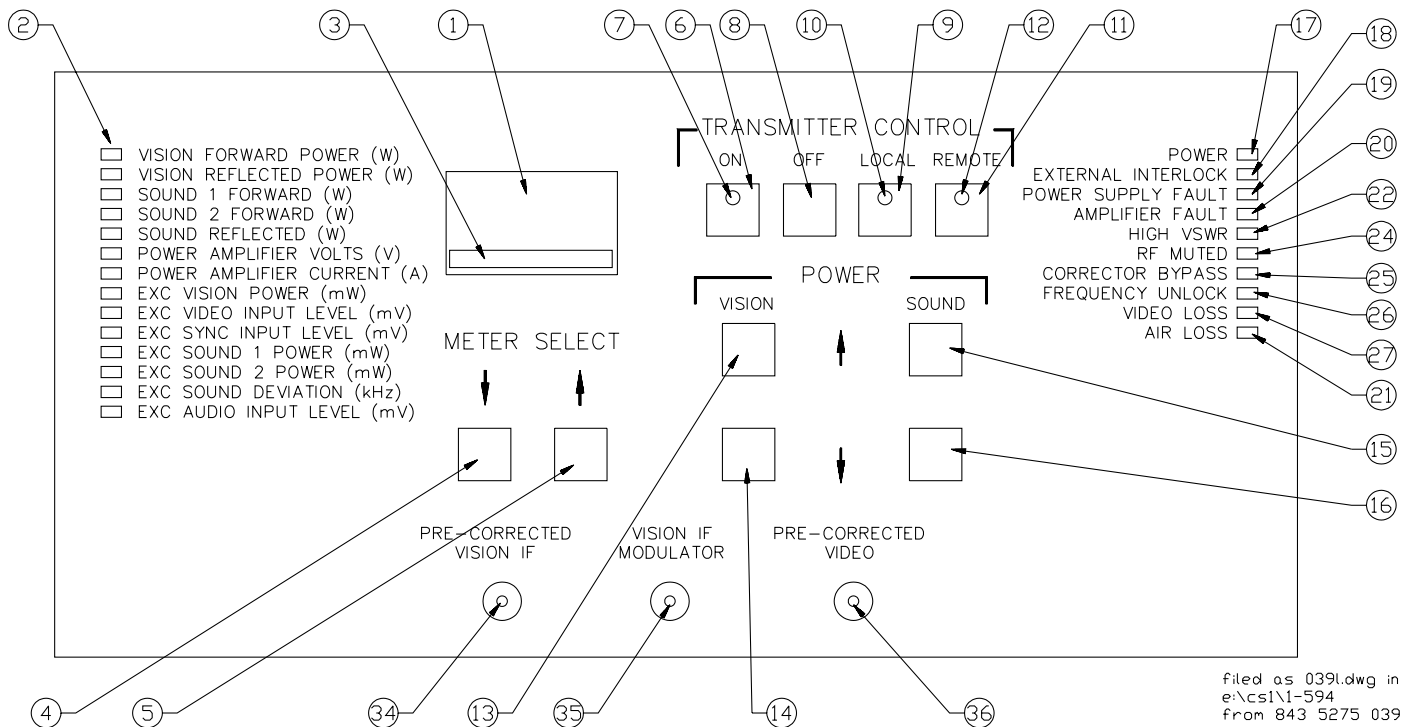


Figure 3-1

Table 3-1

Ref.	Item	Function
1	Multimeter	Visual Forward Power in Watts
		Visual Reflected Power in Watts
		Sound Forward Power in Watts
		Sound 2 Forward Power in Watts
		Sound Reflected Power in Watts
		Module Power Supply in Volts
		Module Current in Amps
		Exciter Visual Power in Watts
		Exciter Video Input Level in mV
		Exciter Sync Input Level in mV
		Exciter Sound 1 Power in mW
		Exciter Sound 2 Power in mW
		Exciter Sound Deviation in kHz
		Exciter Audio Input Level in mV
2	Selection	Indicates Multimeter reading selection
3	Bar Graph	Indicates Multimeter 0000 to 1000
4		Multimeter selector button roll-down
5		Multimeter selector button roll-up
6	Xmtr ON	Turn Transmitter ON
7	ON Indicator	Lights when Transmitter is ON
8	Xmtr OFF	Turn Transmitter OFF
9	LOCAL	Inhibit Transmitter remote control inputs
10	LOCAL Indicator	Lights when in LOCAL only mode
11	REMOTE	Enable Transmitter remote control inputs
12	Remote Indicator	Lights when in REMOTE mode
13		Raise Visual Power of Transmitter
14		Lower Visual Power of Transmitter
15		Raise Aural Power of Transmitter
16		Lower Aural Power of Transmitter
17	POWER	When ON, indicates AC power to Exciter
18	EXTERNAL INTERLOCK	When ON, indicates external interlock OPEN
19	50V SUPPLY FAULT	When ON, indicates power supply fault condition
20	MODULE FAULT	When ON, indicates one or more of the modules has a fault condition
21	AIR FAULT	When ON, indicates loss of air
22	HIGH VSWR	When ON, indicates a high VSWR condition
24	RF MUTED	When ON, indicates RF Output of Exciter is muted
25	CORRECTOR BYPASS	When ON, indicates one or more corrector boards in the BYPASS mode
26	FREQUENCY UNLOCK	When ON, indicates one or more of the phase lock loops are unlocked
27	VIDEO LOSS	When ON, indicates a loss of input video or video preset delay
28	VISUAL F/B ACT	Indicates a VSWR is causing the visual & aural power to foldback
29	AUTAL F/B ACT	Indicates a VSWR is causing the aural power to foldback
30	50 VOLT POWER	Indicates the 50 volt supply is on
31	5 VOLT POWER	Indicates the 5 volt logic supply is on
32	+12 VOLT POWER	Indicates the +12 volt supply is on
33	-12 VOLT POWER	Indicates the -12 volt supply is on
34	PRE-CORRECTED VISION	IF Corrector output
35	VISION IF MODULATOR	IF Modulator Output
36	PRE-CORRECTED VIDEO	Modulator Input Video

4.1 Introduction

This section provides VHF TV exciter theory of operation. For purposes of discussion, the circuitry is divided into functional subassemblies in the following text. The main divisions will be:

- Vision Signal Path
- Aural/Sound Path
- Frequency Synthesis
- Power Supply
- Exciter Control
- Exciter Chassis

Refer to the separately packaged block and schematic diagrams as required for the following description. All circuit boards plug into a mother board that provides interconnections between circuits.

4.2 Vision Theory Of Operation

The theory follows the signal flow of the vision section.

Refer to block diagram below.

4.2.1 Video Processing/Diff Gain Corrector Circuit Board

Refer to 843-5285-411

4.2.1.1 Functional Description

This video card performs sync regeneration, low frequency linearity (LFL) correction, differential gain correction and white signal clipping. The interaction between differential gain and LFL corrections is minimized. The video signal is clamped with adjustable clipping levels. Output signal level can be easily adjusted. When the card is used in an HTEL 5/10 exciter, the input video and sync voltage levels can be monitored through exciter metering. The board is designed to work with NTSC and PAL signals.

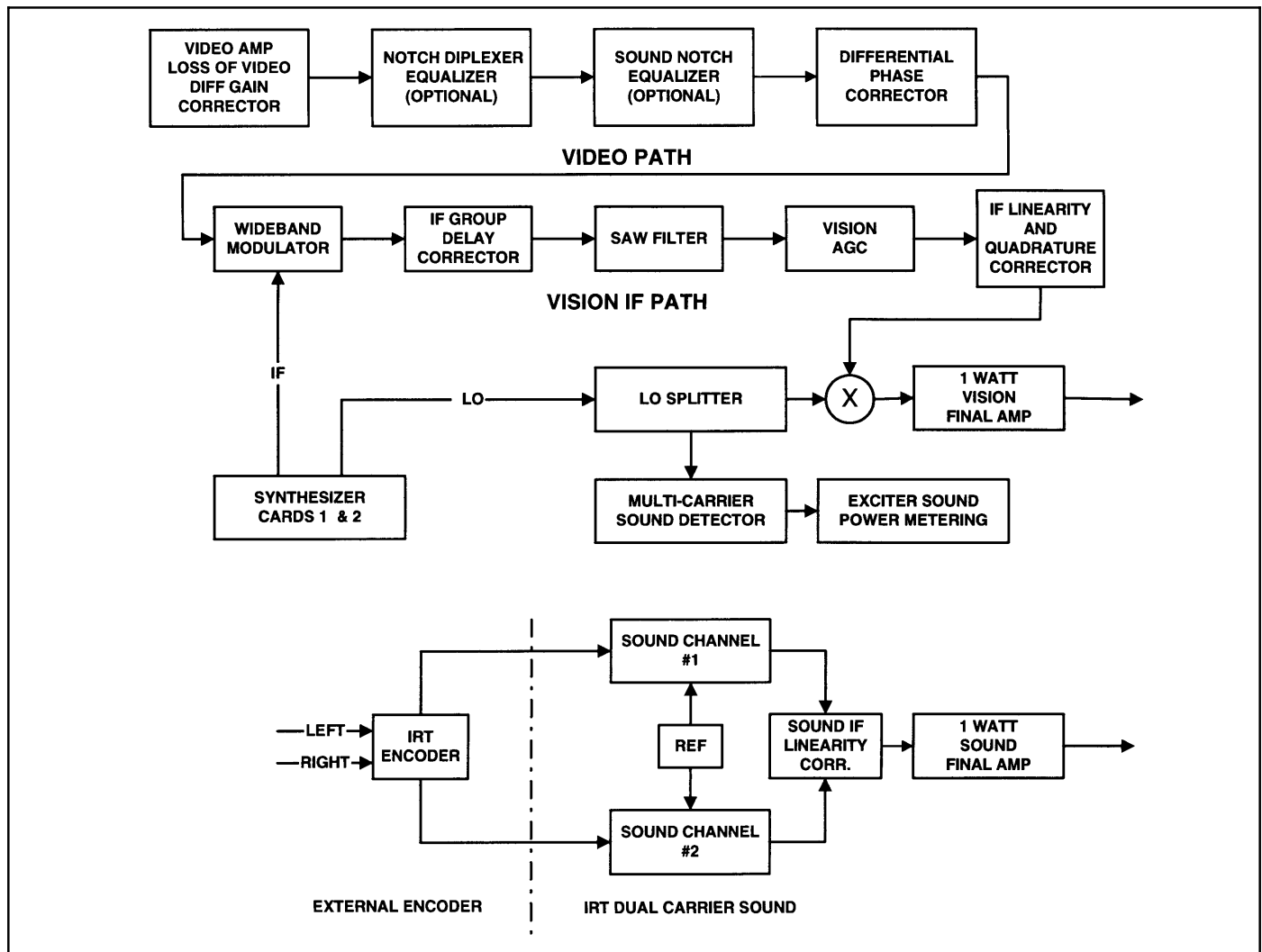


Figure 4-1. Block Diagram

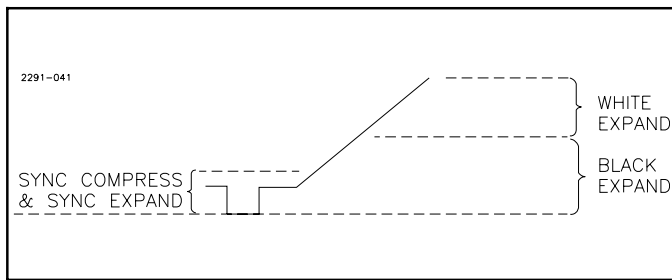


Figure 4-2

4.2.1.2 Detailed Theory of Operation

4.2.1.2.1 Input stage

Input video signal is fed to the video board from the I/O panel through an SMB connector. The shield is not grounded at any point in the cabling of the transmitter to allow common mode signal rejection in the first stage. Provisions for a selection of AC or DC coupling by changing the selector jumper JP5. The input circuit, opamp U3, is designed for approximately 40dB of input common mode rejection. It can be floated or grounded by jumper JP3. In this circuitry capacitor C31 is left as an option for cable compensating purpose. U3 is a unity gain amplifier, the output voltage is measured by two peak reading detector circuits, one measures the voltage above zero volts DC as a video component measurement, The other detector measures the amplitude of the negative sync voltage.

Adjustable voltage divider R1 sets the signal level for further processing and ultimately the card output level. U1 is a non-inverting amplifier with a gain of two when R46 is present. If R46 is replaced with a jumper, the gain is 1. U11 performs as a sync separator which outputs sync pulses at pin 1 and burst pulses at pin 5.

Burst pulses drive Q15 and Q14 which clamps the signal coming into U1. A notch filter at input pin 2 of U11 blocks burst frequency so that the sync level can go down as much as -6dB without affecting the performance of the clamping circuit.

4.2.1.2.2 Sync removal and Reinsertion Stage

The output signal from U6 is frequency response corrected (U14) before the delay line DL1 and Sync stripper U16. Since there is a timing difference between the sync pulses from U11 and the sync pulses of the main signal, DL1 is used for time compensation. Sync pulses from U11 are processed through U7 which creates stripping pulses and new sync pulses. Timing is correctly adjusted by pots R105, R110 at U7 so that the output from U16 is sync-stripped. U16 is a gain controllable opamp. whose gain is controlled by pulses coming into pin 2. Blanking level is adjusted by R124 and R131. At the same time, new sync pulses from pin 8 of U7 are processed by Q13, Bessel lowpass filters and U2. The lowpass filters are to shape up the sync so that sync specs are met and 6MHz signal bandwidth is reserved. Jumpers JP1 and JP2 select between NTSC and PAL syncs. The newly created syncs are adjusted by R2 and fed to U2. U2 is an isolation stage between the filters and the input of signal-sync combiner U8. DL1 provides enough delay so that the new syncs and the

video signal time up correctly. Timing for sync reinsertion is adjusted by R106 and R111 (in both circuits, sync stripping and sync creating, the first pots are to adjust trailing end of the pulse and the seconds the leading end).

When video input is missing, PLL chip U17 fails to lock incoming sync with its internally generated 15kHz square wave. The output at pin 8 of U17 goes high, that turns on Q16. In order to isolate the digital chips from the rest of the circuit, isolated power supplies including L8 and L3, are used for U3, U4 and U17.

4.2.1.3 Diff Gain and LFL stage

4.2.1.3.1 Diff Gain stage

Video from U5 is differential gain adjusted by U5, Q1, Q2, Q3 and Q4. The gain is decreased by shunting the video signal to AC ground through R28 and R29 and increased by the increase in feedback gain of U5. The gain corresponding to a certain video signal level is adjusted when either of Schottky switching diodes CR1, CR2, CR3, CR4 is turned on. In this case, the signal will see a small impedance, approx. 10ohms max., at the emitter of the transistor. R11, R12, R13 and R14 adjust the magnitude of the change or the slope of the diff gain curve. R3, R4, R5, R6 set the switching levels or the thresholds. The reference threshold levels are provided by the voltage dividers at the base of the transistors. These dividers are carefully and accurately designed so that the blanking level will not change. The diff gain stage is deactivated when all the threshold levels are switched to 4.3V by switch S1. S1 also provides the necessary voltage to activate Q9 and Q10 when the correction is off.

4.2.1.3.2 LFL stage

To correct low frequency linearity (LFL), the burst frequency component of the video signal must be completely filtered out. DL2 is a high quality delay line that shifts the chroma frequency (3.58MHz for NTSC and 4.43MHz for PAL) 180 degrees. That is equivalent to a delay of 140ns for NTSC signal or 110ns for PAL signal. The delayed signal and the original one are combined at the output of U10 and the resulted signal has no chroma component. Pot R96 adjusts the magnitude of the delayed signal until a perfect luminance is obtained. At the same time, signal subtraction is performed by U12 to restore the chrominance of the signal. The luminance is corrected by LFL correction circuit which is similar to the diff gain circuit above. AD8037, U4, is used as a opamp to allow control of the clipping levels of the signal. R71 sets the white clipping level and the sync clipping level is set by R96 and R104.

The chrominance and luminance are recombined at U15 to restore the video signal. Pot R115 adjusts the mixing ratio. This adjustment affects the response of the circuit. The response has a pole close to 4MHz. This response problem is corrected by C70 in the feedback path of U15.

4.2.1.3.3 Output stage

Output stage consists of U15 which is designed as a first order allpass group delay equalizer. The circuit will provide enough group delay to compensate for the group delay of the frequency response correction network (U14).

The output level is controlled by U1 and R1.

The board is set up so that when used with Harris HTEL and PLATINUM exciters, it will produce at 0.8Vpp video signal on 75 ohm output load. To obtain more than that, 750 ohm should be used in place of R46.

4.2.2 Video Group Delay Equalizer

Notch Dip/Rec Eq Bd - 992-8527-001

Refer to 839-7994-080

Block Diagram-Sheet 1

Normal and Bypass Switching-Sheet 2

Delay and Response Correction-Sheet 3

4.2.2.1 Functional Description

This equalizer can be used to correct the group delay of a notch diplexer. Another use is to generate the needed receiver equalization when the saw filter is not designed to provide the correction. In some transmitters two equalizers are needed, one for each type of correction.

The term allpass defines a network which has a changing phase characteristic, with a flat amplitude response. The action of an active allpass can best be explained using a simplified schematic Figure 4-3. This network has a second order delay response and needs only two adjustments, frequency (variable capacitor) and Q (variable resistance). The circuit is ideally driven by a voltage source and drives a load of infinite impedance. This is easy for op-amps with their infinite input and low output impedance.

Figure 4-4 shows the individual delay of each of the four sections and Figure 4-5 shows the combined delay.

4.2.2.2 Video Input and Output Circuitry

The input video is applied to two switchable op-amps U1 and U2. In the bypass mode, the U1 is switched on and the incoming video is buffered and drives the output. The switching and indicator drivers are Q1 through Q4. In the bypass mode, U1 is enabled, U2 and U9 are disabled. In the normal mode U1 is disabled and U2 and U9 are active.

4.2.2.3 Group Delay Sections

Each of the 5 delay sections consists of an op-amp stage. The frequency of the delay is set by the resonant frequency of the input tapped inductor and parallel capacitors. The Q is adjusted by the resistance from the tap of the input coil to ground. U8 is a buffer that drives U9 and the response correction sections U10-U13.

4.2.2.4 Response Correction Circuitry

The response correction sections have a correction amplitude adjustment at the input to the op-amp. The frequency of correction is determined by the series LC output section. The Q is controlled by the shunt Q ADJUST resistor.

The delay correction and amplitude correction signals are summed at the negative input of U9.

4.2.3 Differential Phase Corrector

Refer to 839-7900-490

4.2.3.1 Functional Description

The purpose of the differential phase corrector is to correct transmitter distortions of the color sub-carrier phase with luminance level. It operates at video and predistorts the color phase.

The differential phase corrector consist of a first order all pass network which provides a phase characteristic without disturbing the amplitude response. A clamp pulse generator and clamping circuits are provided to maintain blanking level.

4.2.3.2 Detailed Description

The all pass network consists of two video paths 180 degrees out of phase. The out of phase signals are summed together in a RL network. The ratio of L to R determines the resultant phase. By changing the value of R with video luminance the corresponding phase is changed.

The input video is applied to a back porch clamp consisting of C45 and Q13. Clamping is done during back porch. L3 presents a high impedance to sub- carrier to prevent distortion due to the clamp pulse. A dual JFET Q14 provides a high impedance to the clamp and a low impedance output.

U1 form a differential amplifier and generates the two video paths which are 180 degrees out of phase. Q6 is a current source for the differential amp and also provides bias stabilization. R4 and C1 set the amplifiers frequency response and are set for a flat response. C48 equalizes the two 180 degree outputs for symmetrical response and is set for minimum interaction between differential phase and gain. Q1 and Q2 buffer the two video paths and provide a low impedance drive for the all pass network.

L2 and R17 form the basic all pass network. The two video paths are summed together and buffered by Q3. R17's value is modified as a function of luminance level and creates the desired correction shape.

A Schotky diode network is used to change R17's value with luminance level. An adjustable reverse bias (Threshold) is applied to the diode. As the video level increase it will eventually exceed the diode's bias and the diode will become forward biased. When this happens the diode acts as a switch and places an adjustable resistor (Slope) in parallel with R17. There is a total of five diode networks to allow precise correction of differential phase.

The output of the allpass network is passed through a second clamp consisting of C14 and Q4 and buffer amp Q4, it is then applied to the output amplifier.

The output amplifier consists of Q7, Q8 and Q15 provides a 75 ohm drive impedance for the output of the card and for the monitor output connector.

4.2.3.3 Monitoring Circuits

The Output from Q15 is available for monitoring of precorrected video at the BNC connector on the exciter front panel.

4.2.3.4 Clamp Circuitry

Clamp pulses are generated by a sync separator and are timed to coincide with back porch and level shifted to provide back porch clamping to 0 Vdc. U1 provides a inverted video output to drive the clamp pulse generator. Q9 and U4 amplify the inverted video signal to approximately 10V peak to peak. U4 is also band limited by C27

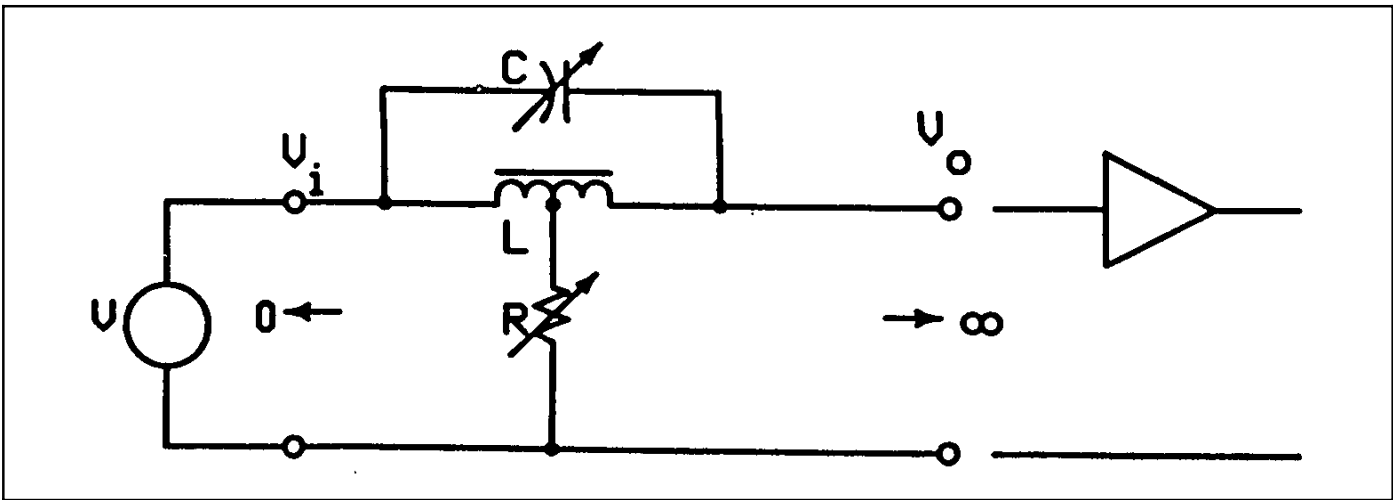


Figure 4-3

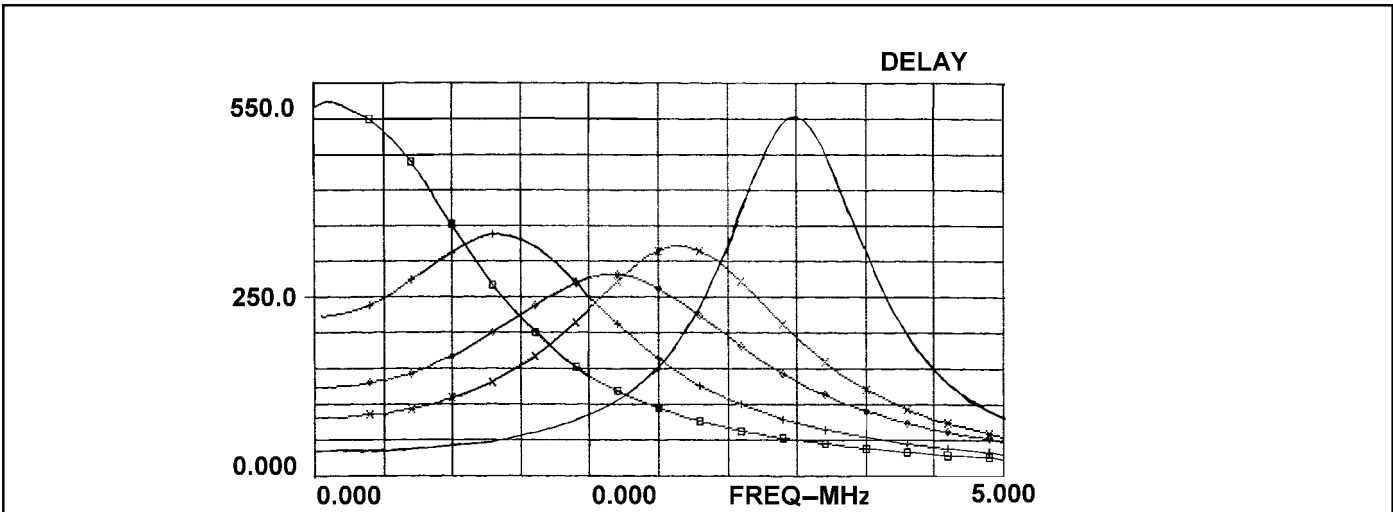


Figure 4-4

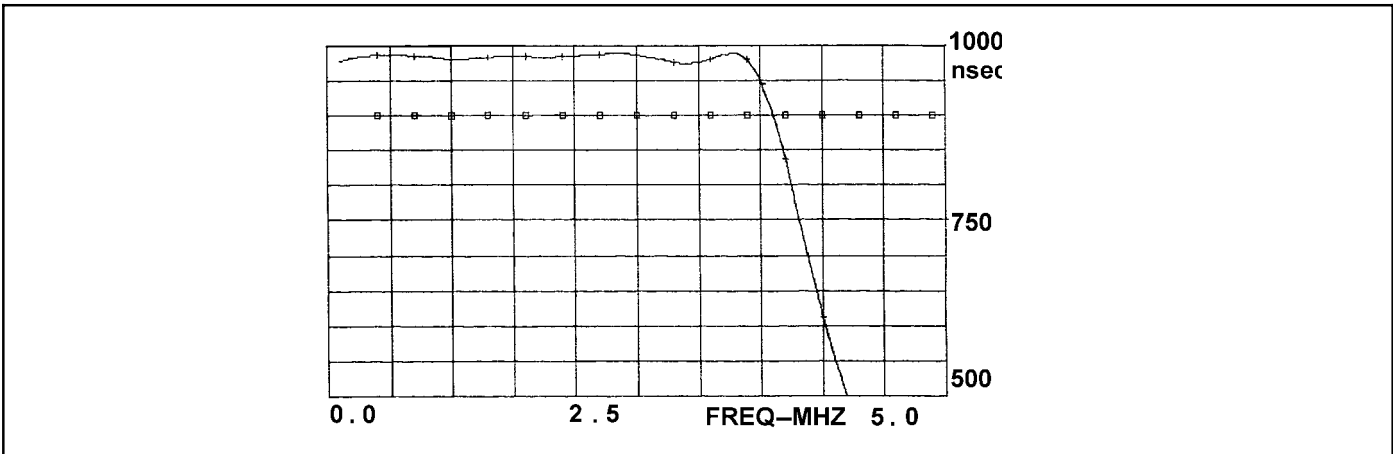


Figure 4-5

such that sub-carrier is suppressed and only luminance passes. CR11 provides rough peak sync clamping to 0Vdc. U5 is a high speed comparator and separates sync from the band limited video. U6 provides a time delay to correctly position the clamp pulses during back porch. Q10 and Q11 offset the clamp pulse to correctly bias the clamping FETs Q5 and Q13.

4.2.4 Modulator/Delay Compensator Board

Refer to 839-7900-705 (sheet 3)

4.2.4.1 Modulator Circuit

4.2.4.1.1 Functional Description

The Modulator printed circuit uses a double balanced mixer to perform modulation of the IF carrier by the video signal from the Amplifier board. In addition to the mixer, the board contains amplification circuits and a frequency response equalization network.

4.2.4.1.2 Detailed Description

The output signal from the IF Oscillator is applied to the Modulator input jack J1. Since the signal level from the oscillator ranges from 150 to 300 mV rms, the IF Drive potentiometer R1 is used to adjust the level supplied to amplifier Q1. The voltage gain of approximately 4 is determined by the ratio between R5 and the effective impedance at the collector of Q1. This impedance is the parallel combination of R4 and the impedance reflected back to the primary of T1, which is a 4:1 stepdown rf transformer. The output from Q1 and T1 provides the drive signal for the L (pin 3) and L' (pin 1) ports of the mixer U1.

Assuming perfect balance of the mixer diodes and transformers, there will not be an IF output when there is no current input to the X port (pin 5). The Modulator Balance potentiometer R37 is adjusted to cancel any output caused by slight inherent mixer imbalance. The IF output from mixer port R (pin 6) is proportional to the current flowing into the X port (pin 5). Consequently, the video signal amplitude modulates the IF signal. To provide the correct modulation depth, some current must be added to the video signal. The Modulator Bias potentiometer R12 adjusts this current offset to provide the proper modulation depth. The Video Drive potentiometer R10 adjusts the amount of video signal current to the modulator.

The modulated output from the mixer U1 and the Modulator Balance potentiometer R37 are summed in the emitter of the grounded base amplifier Q2. The gain of approximately two is determined by the ratio of the emitter input resistor R16 and the collector impedance. The signal from R37 is added at the low impedance point at the emitter.

A frequency response equalization network is inserted between Q2 and Q3. Capacitors C10 and C11 control the frequency of this series resonant circuit and R20 controls the Q. R40 serves as a slope or tilt control. This permits correction for slight frequency response deviations elsewhere in the exciter circuits. A second harmonic trap, L3 and C12 or C13, is inserted at the input to the common base amplifier Q3. The signal is amplified six times and applied to emitter follower Q4. The output is routed through jumpers at P1 to test jack J2 or to the delay compensator circuit.

4.2.4.2 Monitoring

The response corrected If is sampled by a directional coupler before delay correction. This sample is attenuated and then amplified by U2 and U3. The sample level is a nominal +7 dBm. This sample is cabled to a BNC connector on the front panel labeled MODULATED IF SAMPLE.

4.2.4.3 Delay Compensator Circuit

Refer to 839-7900-705 sheets 1 and 2

4.2.4.3.1 Functional Description

The Delay Compensator board contains two identical active allpass networks in cascade. An allpass network has the characteristic of flat amplitude response and nonlinear phase response. Since group delay is a result of nonlinear phase shift, an allpass network corrects group delay in the transmitter by providing compensation at certain frequencies. Delay errors caused by the notch diplexer (if used) are corrected by the notch diplexer equalizer.

In an active allpass network the signal is split into two paths: a narrow band path and wideband path. The narrow band path is a series tuned circuit with variable Q and frequency controls for adjustment of the amount of group delay correction and the frequency at which it is applied. The wideband path has only an attenuator and fixed phase shift network. For proper allpass operation, the signals must be combined at the output such that the narrow band signal is 6 dB greater and 180 degrees out-of-phase at the resonant frequency of the tuned circuit.

4.2.4.3.2 Detailed Description

The signal is applied to the allpass network through P1-1 and is split into two paths. In the narrow bandpath, emitter follower Q101 provides isolation and power amplification to drive the series resonant circuit of C109, C111 and L105. The Q is determined by the parallel combinations of R145, R147, R149, and R151 selected by the 16 position switch S103. L109, L115, C139 and C122 is a variable phase shift network providing the proper phase relationship between the two signal paths. BALANCE potentiometer R105 is used to obtain the proper amplitude relationship between the two paths. In the wideband path, the signal passes through a fixed phase shift network C103, L101 and C107, and a fixed attenuator R117, R119 and R121. The two signals are combined in T101. The secondary of T101 is the vector difference of the two signals applied to the primary.

When the BYPASS toggle switch S101 is set to the IN position, Q101 receives collector voltage, and PIN diode switches CR101 and CR103 are supplied current to turn them on. When S101 is set to the OUT position, Q101 and CR103 turn off blocking the narrow band path signal. CR101 is also turned off to compensate for a small gain change in the BYPASS mode. The signal still passes through the wideband path, but no group delay compensation is provided by the narrow band path. Q103 is a common base amplifier with a voltage gain of approximately nine to compensate for the loss in the allpass section. The output of the first allpass network is applied to the second network through emitter follower Q105.

Q102, Q104 and Q106 make up the second allpass network. The output of this section and the output of the Modulator/Delay Compensator board are applied to output jack J3.

4.2.5 VSB/AGC Board

Refer to system dependant drawing:

CCIR M 839-7900-491 37 MHz

CCIR B 839-7900-663 38.9 MHz

Other systems can be found in the appropriate drawing package

4.2.5.1 Vestigial Sideband Filter Circuit

The purpose of the vestigial sideband filter circuit board is to provide frequency response shaping that is required in television. This is accomplished in filter FL1 which is a surface acoustic wave device.

In CCIR-M and some other systems the filter also provides the receiver delay equalization.

The video IF signal is input through capacitors C1 and C2. The VSB IN/VSB OUT switch allows switching the VSB filter in or out of the circuit. When the switch is set to VSB IN, the signal path will be through CR1. When the switch is set to VSB OUT, the signal path will bypass the VSB filter.

4.2.5.1.1 VSB Signal Path

The signal through C1 and CR1 is applied to gain stage Q5 which provides approximately 15 dB of gain to overcome half the 30 dB loss in filter FL1. The signal is inductively coupled from Q5 to emitter-follower Q6. Resistor R23 establishes a 51-Ohm input impedance for filter FL1. The signal is coupled into FL1 by capacitor C16.

The output of the filter is coupled through C10 and applied to gain stage Q3 which provides approximately 15 dB of gain to overcome half the 30 dB loss in filter FL1.

4.2.5.1.2 Bypass Path

When the VSB OUT/VSB IN switch is set to VSB OUT, transistors Q1 and Q2 will bias diode CR2 on and bias diode CR1 off. The signal path will bypass the VSB filter. The arrangement of R6/R7/R8 in the bypass path is a variable attenuator which allows adjustment of the signal level from the bypass path to the same level as the output from the VSB filter path so that a level shift does not occur when the filter is switched in or out.

4.2.5.2 AGC Circuit (Visual)

Refer to drawing 839-7900-491

The visual exciter power is controlled by the IF AGC circuit.

Control voltage from the metering and control board is applied to the + input of comparator U101A. Detector input from the visual amplifier provides the - comparator input through buffer U101B.

In AUTO mode the output of U101A controls the attenuation through a voltage divider formed by PIN diode CR101 and R107. Attenuation is variable from 1 to approximately 40 dB. R116 provides adjustment of the AGC range by limiting the maximum current applied to CR101.

In MAN (manual) mode the control voltage is routed directly to the gain control circuit, and is used for trouble shooting purposes only.

Emitter follower Q101 provides isolation and low impedance drive. Q102 provides 10-11 dB of gain. The net gain of the AGC section is 9-10 dB with CR101 fully turned on.

4.2.6 Linearity/Quadrature Corrector Board

Refer to 839-7900-704

4.2.6.1 Functional Description

The purpose of this circuit board is to adjust the carrier phase and gain as a function of the video level. As the transmitter power output level increases, the amplitude of the signal will compress and the phase of the signal will shift. This circuit board will pre-distort the IF signal to compensate for the shift in phase and amplitude caused by the power amplifiers. The IF Linearity section predistorts the positive and negative cycles of the IF for linearity correction. A similar process in the ICPM section distorts the signal that is in phase quadrature to the linearity signal. The ICPM corrected IF when vector summed with the linearity signal will cause a phase shift as a function of amplitude to cancel the carrier phase shift in the following RF amplifier stages.

4.2.6.2 IF Linearity Corrector

IF Linearity Corrector Circuit

4.2.6.2.1 Functional Description

Refer to sheet 1 of 839-7900-704

It is advantageous from the viewpoint of performance to perform differential gain correction on the IF signal instead of the video signal. The correction circuit uses diodes which are biased to turn on at a variable dc voltage level.

The signal is normally attenuated a fixed amount by using a resistive L-pad. The diodes are normally reverse biased by equal, but opposite polarity, dc voltages. Reducing the dc voltage amplitude permits the diodes to conduct on the signal peaks. This inserts additional resistance in parallel with the series arm of the L pad thereby decreasing the attenuation. Varying the resistance in series with the diodes provides for a variable gain expansion.

4.2.6.2.2 Detailed Description

The input signal is applied through input jack J1 to the 90 degree splitter. One output will be routed by jumpers at E1-4 to the Quadrature Corrector the other output to the Linearity Corrector circuit. Transistor amplifier pair Q1-Q2 amplifies the signal 10 times (20 dB). Q2 is a low impedance emitter follower which drives the initial gain network, CR1 through CR4. Threshold controls (TH1 and TH2) potentiometers R37 and R38 determine the turn on points of the diodes while slope controls (SL1 and SL2) potentiometers R10 and R11 vary the amount of gain expansion or compression achieved during the on period of the diodes. U1A and U1B are unity gain inverting amplifiers, with buffer amplifiers, to provide the opposite polarity dc voltage for biasing of the diodes. The 10 uH inductors, shunted by 2k ohm resistors, isolate the IF signal from the dc circuits. Diode CR9 compensates for temperature drift in CR1-CR8. Jumpers P3 and P2 are provided in both gain networks to allow either expansion or compression functions.

Transistors Q3 and Q4 amplify the signal approximately 8 dB before it is applied to the second expansion network. Threshold

controls TH1, 2, and 3 are used to adjust the differential gain in the white to black region, while TH4 adjusts the sync amplitude. The signal is applied to output through emitter follower Q5, matching resistor R28, and lowpass filter consisting of capacitors C22 and C23 and inductor L9. Jumpers at P6 route the output to the Quadrature Corrector or the test output J4. The linearity correction circuit may be bypassed by setting the toggle switch S1 to the Bypass position.

4.2.6.3 ICPM Corrector

Refer to sheet 2 of 839-7900-704

The gain expansion circuits of the Quadrature Corrector are identical to the Linearity circuit. Signals from the linearity and quadrature circuits are summed together by R162 and R159.

The two signals are 90 degrees apart in phase and the signal from the linearity circuit is much larger due to the low resistance of R162 (16 ohms) compared to R159 (100 ohms).

The resulting output is the vector sum of these two signals. A change of gain on the linearity side produces gain correction with only small change in phase of the sum vector. A change in gain on the Quadrature side produces change in phase of the carrier with little change in the magnitude of the vector sum.

Q106 has approximately 6 dB of gain. The output at J3 feeds the visual mixer.

The Quadrature Correction may be bypassed by setting switch S101 to bypass (out).

4.2.6.4 Monitoring Circuitry

The output of the correction circuitry is sampled with a directional coupler, amplified by U103 and U104. This sample is available on the front panel at the PRE-CORRECTED IF SAMPLE jack.

4.3 Vision Upconversion

The vision IF is up-converted in the mixer by a local oscillator whose frequency is the sum of the desired output and the IF frequency. The output is bandpass filtered before it is amplified by the final amplifier.

4.4 RF Output Amplifiers

4.4.1 1 Watt Final Amplifier

Final Amplifier - 992-8328-001

Circuit Board - 992-7093-001

Refer to schematic 839-7900-023

4.4.1.1 Functional Description

The exciter houses two identical class A final amplifiers. One amplifier is used for the sound output and one amplifier is used for the vision output. The jumper plug P1 is placed between 1 and 2 for sound service and between 1 and 3 for vision service

or dual carrier sound. This plug routes the control voltage to the input attenuator for single carrier sound AGC.

4.4.1.2 Theory Of Operation

4.4.1.2.1 RF Path

RF is input to J1 and applied to gain stage U3 through a capacitor C31. The gain of this stage is 18 dB. The output of this stage is attenuated by a pad consisting of pin diodes CR2, CR3, and CR4. These diodes function as current-controlled resistors. Regulator U5, R1 and CR1 form a bias network for the diodes. When the jumper plug is in the 1-3 position, the fixed diode current reduces the attenuation to the 3dB minimum value. If the jumper plug is in the 1-2 position, the AGC amplifier controls the attenuation.

After signal attenuation by the pad, the signal is then divided into two equal paths by HY1 and each path is amplified again by a 35 dB amplifier (U1 and U2). The signal is then re-combined by HY2 to the 1-Watt power level. The signal output is through a directional coupler with a -10 dB sample port.

4.4.1.2.2 RF Sample Detection

The sample from the directional coupler located in Final Amp is applied to peak detector CR5. The DC output of CR5 will be proportional to the RF output through the directional coupler. This DC potential is applied to buffer U4C.

As diode CR5 becomes warmer with operation, it will increase conduction. This temperature effect is overcome by use of a second diode, CR6, which is of the same type as CR5 and is mounted adjacent to CR5. The potential from CR6 is applied to buffer U4D.

The voltage from U4D is subtracted from the voltage from U4C at the input to summing amplifier U4A. The output is a voltage which remains proportional to the RF output through the directional coupler, but is now compensated for temperature variations.

4.4.1.2.3 AGC Loop (Vision)

The voltage at U4 pin 1 is now routed to the VSB/IF AGC as DETECTOR INPUT where it is the sample input to the AGC differential amplifier U101. Final amplifier attenuation is fixed at minimum.

4.4.1.2.4 AGC Loop (Single Carrier Sound)

Comparator U4B compares the potential from U4A pin 1 on the non-inverting input to a power control input potential on the inverting input which is generated on the metering and control circuit board. This potential is used as a reference to adjust the output level from U4B. This potential adjusts automatic gain control loop of the sound 1 watt amplifier circuit by varying the resistance of the RF interstage pad.

4.4.1.2.5 AGC Loop (Dual Carrier Sound)

The RF power sample DC voltage is routed to the Aural Linearization card as the sample for the AGC differential amplifier U1. Final amplifier attenuation is fixed at minimum.

4.4.1.3 Alignment

There are no adjustments except the change in jumper position that determines the AGC operation. Replacement of the unit may

also require realignment of the AGC or the set-up of exciter power limits.

4.5 Frequency Syntheses

4.5.1 VHF Synthesizer Card 1

Refer to schematic 839-7900-528 and Figure 4-6.

4.5.1.1 Circuit description

The VHF synthesizer card 1 performs two basic tasks:

- Creates all the reference frequencies used by the phase locked loops from on board 10MHz standard or an externally applied 5 or 10MHz PFC input.
- Creates IF frequency for the modulator.

4.5.1.2 Detailed Circuit Description

4.5.1.2.1 10MHz Generation

10MHz is the main reference frequency used by the synthesizer. Used to create all other reference frequencies. The 10MHz has two primary sources, the on board OCXO or the PFC input. On board detection circuits sense the presence of a PFC input and automatic switching is used to select the appropriate 10MHz signal.

PFC input of either 5 or 10MHz applied to J5 is buffered by Q4 and amplified in a class C amplifier Q5. The output of this class C amp is rich in harmonics. A tuned circuit consisting of C20 and L1 and a series tuned 10MHz crystal Y1 selects the 10MHz harmonic. The level of 10MHz is detected by CR5 and compared by U3. If there is sufficient 10MHz level U3's output goes low and drives a PFC indicator DS1. U3 also drives a switchable 15V voltage regulator. When PFC is present the regulator is shut down and consequently shuts down on board 10MHz OCXO Y4. If there is an insufficient level of the PFC input, then U3 will select on board 10MHz OCXO Y4 by powering up the switchable voltage regulator U1, which in turn powers up the OCXO. The actual selection of the 10MHz signal, be it either the PFC input or on board standard, is performed by U4 configured as a SPDT switch. The output of this switch is the primary 10MHz signal and used to create all other reference frequencies.

4.5.1.2.2 5MHz Generation

The primary 10MHz signal from U4 is distributed by a buffer U5 to other parts of the card. One output is applied to J3 for future use. A second output is divided by 2 in U6 to create a 5MHz reference frequency and is applied to J1. The third output creates the 800kHz reference frequency.

4.5.1.2.3 16MHz Generation

10MHz from U5 is divided by 5 in U7. The output of U7 is a 20% duty cycle pulse train at 2MHz. This pulse train has high

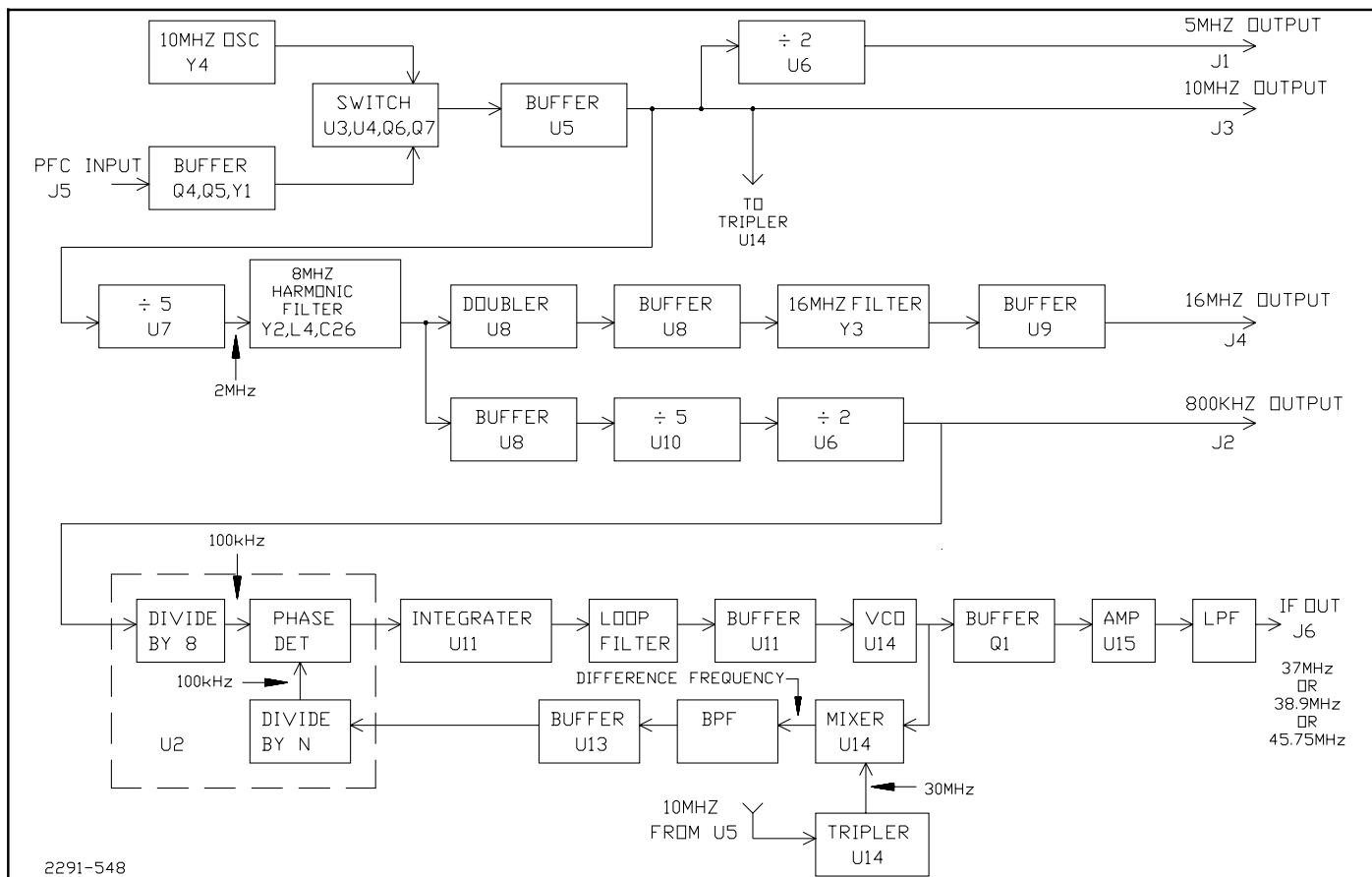


Figure 4-6

harmonic content. A tuned circuit consisting of L4 and C26 and a series 8MHz crystal Y2 selects the fourth harmonic or 8MHz. The 8MHz signal is full wave rectified or doubled by U8 to create the 16MHz reference frequency. Tuned circuit L5 and C28 and a series tuned 16MHz crystal Y3 performs further filtering of the 16MHz. The 16MHz signal is buffered by U9 and applied to J4.

4.5.1.2.4 800kHz Generation

A second output of the 8MHz signal is buffered by U9 and then divided by 5 in U10 to create 1.6MHz. This 1.6MHz is divided by 2 in U6 to obtain 800kHz and is then applied to J2.

4.5.1.2.5 IF Generation

A PLL generates the IF carrier for the modulator. This PLL uses a mixing technique where the VCO frequency is mixed with a harmonic of the 10MHz reference and then locked to the 800kHz reference. Using the mixing technique reduces the total divider ratios and improves the phase noise performance.

U14 contains both the VCO and mixer. The tank for the VCO is formed with L15, C38 and the varactor diodes CR4, CR14 and CR15. The VCO frequency is mixed with the 3rd harmonic of 10MHz. The 10MHz applied to U14 via a square wave with good 3rd harmonic content. Tank circuit L7 and C107 peak the 30MHz level.

The output of U14 is the difference between the 30MHz and the VCO frequency, typical 7MHz for a 37MHz IF or 8.9MHz for a 38.9MHz IF or 19.75MHz for a 45.75MHz IF. A band pass filter

follows U14 to remove any unwanted mixer products. This filter consists of L6, L8, L20, C110, C111 and C112.

The filtered 7 to 16MHz signal is amplified by U13 and applied to a programmable divider chip U2.

The programmable divider chip U2 also receives the 800kHz reference frequency. Both the 800kHz reference and the mixed VCO frequency are divided down to 100kHz. A phase/frequency comparator within U2 compares the phase of the two 100kHz signals. Any difference in the frequency or phase is detected and output as a pulse whose duty cycle is equal to the phase difference. U11 integrates these pulses to create a DC control voltage proportional to the phase difference. This DC control voltage is used to lock the VCO to the desired frequency.

A passive low pass filter is used on this control voltage to remove any 100kHz that might be present after the integrator. This filter consists of C121, C123, C125, C126, C122, C124, L9, L10 and L11.

The VCO frequency is sampled and buffered by Q1 and amplified by U15, Q2 and Q3. A low pass filter centered about the desired IF frequency removes any harmonics and unwanted spurs. This band pass filter consists of C138, C137, C134, C139, C140, C135, C136, L17, L18 and L19.

Lock detection is accomplished by U3 and its output mutes the exciter in the event of loss of lock.

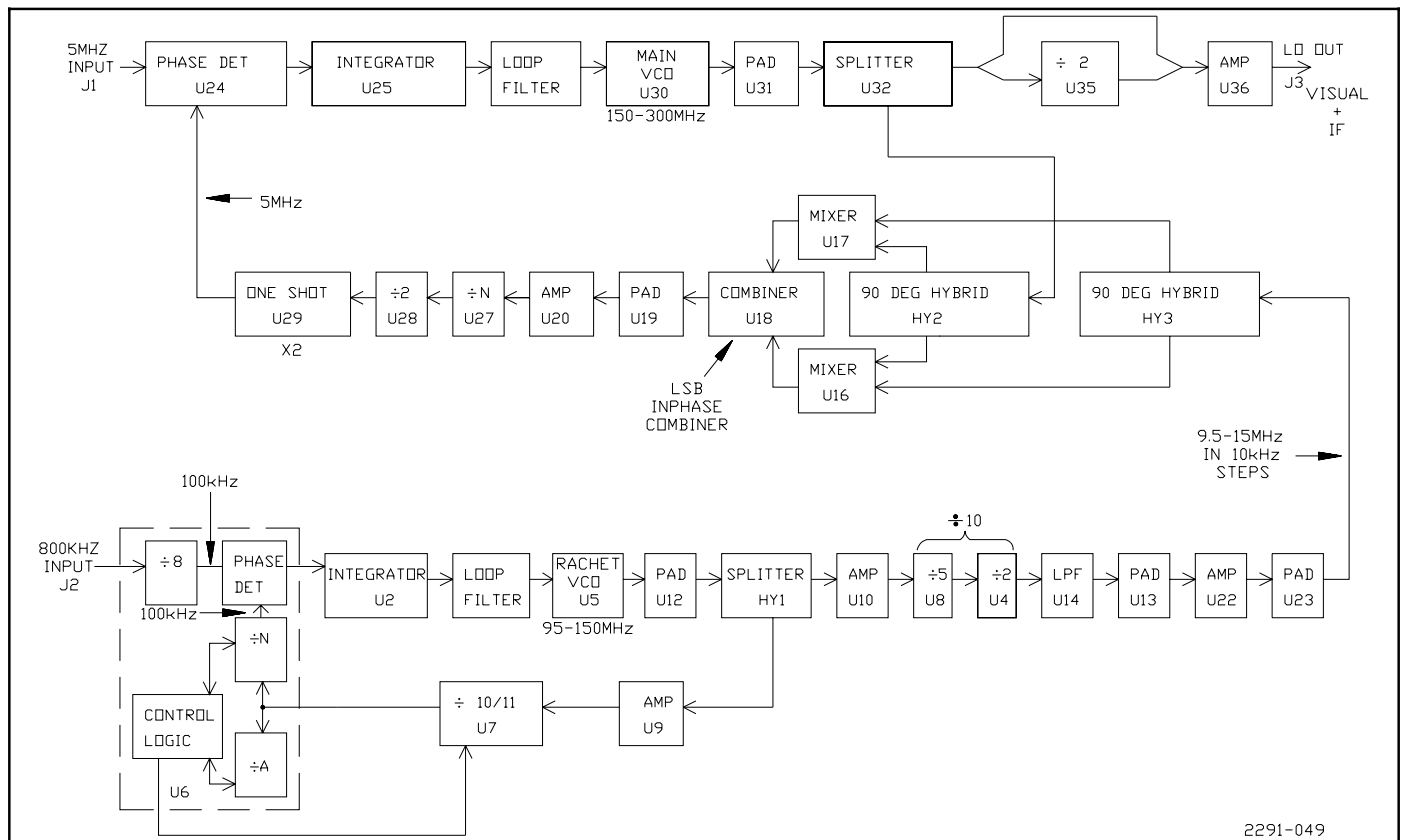


Figure 4-7

2291-049

4.5.2 VHF Synthesizer Card #2

Refer to schematic 839-7900-529 and Figure 4-7.

In system with Card #3 refer to 839-7900-551

4.5.2.1 Circuit Description

The VHF synthesizer card 2 performs the task of generating the LO used to convert the visual and aural IF's to carrier. It contains a main PLL loop that runs from 150 to 300MHz in 5MHz increments and a ratchet PLL loop that runs from 10 to 15MHz in 10kHz increments. The main loop's VCO is offset by the incremental loop in a SSB mixer prior to phase detection. This allows the final frequency to cover the 150 to 300MHz range in 10kHz increments. For low band channels the main loop's output is divided by two yielding a frequency range of 75 to 150MHz in 5kHz increments. In systems with a synthesizer #3 card the incremental loop output is further processed by the third card.

4.5.2.1.1 Detailed Circuit Description

10 to 15MHz Ratchet Loop

The frequency of the ratchet loop is such that the difference of the desired LO minus the ratchet frequency yields a frequency divisible by 5MHz.

The primary rf source is a 95 to 150MHz VCO U5. U5's output is buffered by a 6dB pad U12 and split into two paths by hybrid HY1. One path is amplified 18dB by U9 and applied to a divide by 10/11 dual modulus prescaler U7. The output of the prescaler is applied to a programmable divider U6 where the VCO frequency is divided down to 100kHz.

An 800kHz reference signal from card 1 is applied to J2 and then to the programmable divider U6 where it is also divided down to 100kHz. A phase frequency detector within U6 compares the phase of the two 100kHz signals. Any difference in the frequency or phase is detected and output as a pulse whose duty cycle is equal to the phase difference. U2 integrates these pulses to create a DC control voltage proportional to the phase difference. The VCO is locked to the desired frequency by this DC control voltage.

A passive low pass filter is used on this control voltage to remove any 100kHz that might be present after the integrator. This filter consists of C33, C34, C35, C36, C37, L2 and L3.

Potentiometer R13 sets the gain of the loop for best stability and rejection to microphonics.

The other output of hybrid HY1 is amplified 18dB by U10, divided by 5 by U8, and then divided by 2 by U4. This total division of 10 yields a frequency range of 9.5 to 15MHz in 10kHz increments. The divided output of U4 is filtered by a 21.4MHz low pass and then buffered by a 6dB pad U13 and 12dB amplifier U22.

Lock detection is accomplished with U1 and its output is used to mute the exciter in the event of a loss of lock.

SSB Mixer

A single side band mixer is used to offset the main loop VCO's frequency by the ratchet loops frequency. This SSB mixer consists of mixers U16 and U17, 90 degree hybrids U2 and U3, a 0 degree power combiner U18, and attenuators U23 and U19.

The main loop's VCO signal is applied to one 90 degree hybrid and the ratchet loop's signal to the other 90 degree hybrid. The hybrid outputs are then mixed in the two mixers, which produce two primary outputs at the sum and the difference frequencies. When the mixers create these sums and differences, the sum signals are in phase but the difference frequencies have a 90 degree relationship with each other. This 90 degrees from the mixers plus the 90 degrees from the hybrids add and create a 180 degree difference. By phasing the hybrids correctly the output of the two mixers will have both lower side bands in phase but the upper side bands will be 180 degrees out of phase. When combined in the 0 degree combiner U18 the lower side bands will add and the upper side bands will cancel. The lower side band or difference frequency is then buffered and amplified 18dB by U20.

Main 150 to 300MHz PLL

A 150 to 300MHz VCO U30 is the primary signal source for the main PLL. U30's output is buffered by a 6dB attenuator U32 and then split into two paths by hybrid U32. One path is divided by 1 or 2 by U35, depending on the required frequency, then amplified 12dB by U36 and routed to the LO output J3. The other VCO output from splitter U32 is amplified 12dB by U33 and routed to the SSB mixer.

The output of the SSB mixer is applied to a programmable divider U27 which divides the main VCO frequency to 5MHz. The output of this divider is one pulse for every N input pulses. This small pulse is too narrow for good phase detection and must be stretched. The output of the counter is divided by 2 in U28 which yields a 50% duty cycle square wave. The square wave is then applied to a one shot monostable multivibrator U29 that triggers on both positive and negative edges. The multivibrator's output is twice the frequency of the input and cancels the divide by 2 of U28, the pulse width is 20nsec. This 5MHz pulse train is applied to the phase frequency comparator U24.

The 5MHz reference from card 1 is applied to J1 and then to phase frequency comparator U24 where the phase of the two 5MHz signals is compared. Any difference in the frequency or phase is detected and output as a pulse whose duty cycle is equal to the phase difference. U25 integrates these pulses to create a DC control voltage proportional to the phase difference. It is this DC control voltage that is used to lock the VCO to the desired frequency.

A passive low pass filter is used on this control voltage to remove any 5MHz that might be present after the integrator. This filter consists of C58, C57, C56, C53, C54, C55, L5, L6 and L7.

Potentiometer R44 is used to set the loop gain for best stability and rejection to microphonics.

Lock detection is accomplished with U1 and its output is used to mute the exciter in the event of a loss of lock.

4.5.3 Synthesizer Card 3

Synthesizer Card 3 - # 992-8913-001

Refer to schematic drawing 839-7900-686 and Figure 4-8.

4.5.3.1 Signal Flow And Frequency Programming

4.5.3.1.1 DDS (Direct Digital Synthesis) Circuitry

A direct-digital-synthesis technique is employed to generate a master quartz-crystal oscillator-derived frequency between 400 kHz and 3.2 MHz. The quartz frequency is 10 MHz, so that in theory any signal between DC and 5 MHz can be produced. In practice, however, a lowpass filter is required to suppress image frequencies. The complexity of this filter increases as it is required to generate signals closer and closer to 5 MHz. The trade-off in this approach uses a 3.4 MHz Caueer lowpass filter for simplicity, a more complex filter is not required.

The DDS signal is generated by U9, the frequency programming for this IC is serial TTL. A parallel-TTL bus programming is needed, so that switches can be used to set a frequency code. The code is 32 bits wide, hence 32 switches are needed. These switches feed a parallel-to-serial converter made up of U1 through U8. The parallel to serial converter and the DDS chip are clocked by a 10 MHz TTL square wave from one-half of dual-comparator U14.

U10 converts the dynamic 12-bit digital waveform from U9 into a useful analog waveform. This waveform is exactly equivalent to a 12-bit accurate sine wave sampled by an ideal 10 MHz zero-order sample-hold. The output of U10 is filtered, but does not need to be low in spurious or harmonic content, since spurious levels are reduced by exactly the amount of subsequent frequency divisions.

Once the DDS-generated signal has been lowpass filtered, it is converted into a rectangular wave by a comparator (half of U14). This rectangular wave is suitable for driving TTL flip-flop U16B, which divides the frequency by two. U16A divides by two again. Then D-flip-flops U33A and U33B divide by two once more, but triggered by opposing slopes. In this manner, the DDS frequency has been divided by 8, with the pair of outputs from U33A and U33B being orthogonal (90 degrees out of phase with each other). The division of frequency by eight results in an eight-fold increase in frequency resolution. That is, whereas the DDS

output signal frequency could be incremented in steps of 0.002328306 Hz (10 MHz divided by 2 to the 32nd power), U33 outputs can step by 0.000291038 Hz. In subsequent processing off-card, this resolution is increased 10 or 20-fold, resulting in the ability to set a desired final transmitter frequency to within 29 micro-Hertz (high band) or 14.55 micro-Hertz (0.00001455 Hz) for low-band channels.

4.5.3.1.2 Programming of Frequency Offset

If the offset frequency is specified when purchasing the transmitter, the Synthesizer Card #3 option comes pre-programmed. If a new offset frequency is needed or a replacement card is installed, refer to the programming chart to obtain the 32 bit code for setting the switches S1 through S8. If another offset frequency is required that is not listed in chart, the 32 bit code may be calculated with the following formula:

$$(f_{\text{OFFSET}} \times 80 \times 2^{32}) / 10^7$$

Where f_{OFFSET} is the desired offset frequency in Hertz

This new number will then need to be converted to binary. If your calculator does not have the display capability to convert these large numbers directly to binary, then convert the number to hexadecimal first. Then, convert each of the eight hexadecimal digits to binary separately to obtain the 32 bit binary code. For offsets less than 7,812.5 Hertz, add zero to the S1 position. Example for Line Frequency Offset 7/12:

7/12 of 15625 = 9,115Hz

$$(9,115 \times 80 \times 2^{32}) / 10^7 = 313,189,015.2$$

Drop any number after the decimal point

Convert 313,189,015 to Hexadecimal = 1 2 A A E 2 9 7^{HEX}

Next convert each of the Hexadecimal numbers to Binary

1 ^{HEX}	2 ^{HEX}	3 ^{HEX}	4 ^{HEX}	5 ^{HEX}	6 ^{HEX}	7 ^{HEX}	8 ^{HEX}
0001	0010	1010	1010	1110	0010	1001	0111
S1	S2	S3	S4	S5	S6	S7	S8

Please note that the MSB (Most Significant Bit) of the binary code must be programmed low. Program switch 1A is also routed

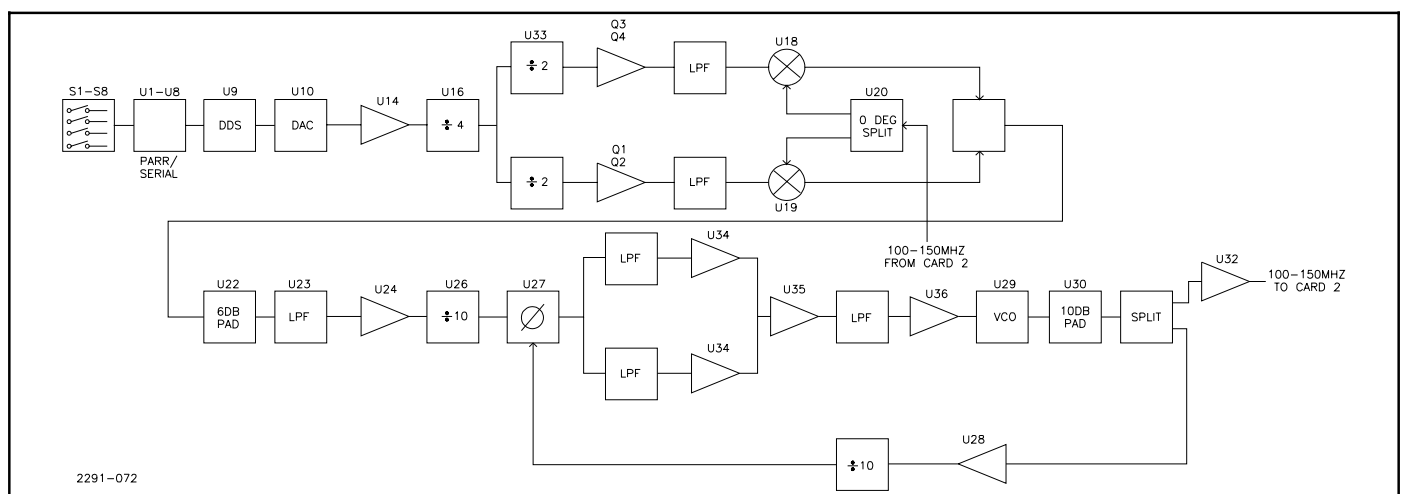


Figure 4-8

to Q7 which will trigger a fault/low to mute the exciter RF. Other illegal code settings exist that exceed the limits of the filtering or the DDS circuitry, therefore it is recommended to stay within the range of the chart for other offset frequencies.

4.5.3.1.3 SSB Mixing

Phase splitter U33, in combination with an RF quadrature power splitter, permits the generation of a single-sideband (SSB) suppressed-carrier signal at U22 that is higher or lower, by the desired offset amount, than the incoming RF signal frequency at J3. The choice of higher (upper) or lower sideband is established by the installation of either the "ABOVE" (JP22) or the "BELOW" (JP23) jumper, which sets the phase between flip-flops U33A and U33B at either +90 or -90 degrees, respectively.

4.5.3.1.4 Digital PLL Tracking Filter

All of the remaining circuitry after the SSB mixer constitutes a tracking filter, which purifies the SSB signal and eliminates or greatly suppresses unwanted sidebands. These unwanted sidebands occur because of local oscillator leakage in the quadrature mixers, unbalance in the conversion gains of the two mixers, splitters, and low-frequency drive signals, and harmonics of the low-frequency drive signals. Since the low-frequency drive signals are square waves produced by U33A and U33B, many harmonics exist. These harmonics taper off in level according to the Fourier series of a square wave. Since the 3rd harmonic of a square wave is at 3 times the phase angle of the fundamental, the 90 degree phase fundamental (to produce an upper sideband offset) will produce 270 degree (-90) 3rd harmonic energy, which will show up as a LOWER sideband artifact at 3 times the offset frequency, and 10 dB down. The 5th harmonic will be phased at positive 90 degrees, the 7th at negative 90, etc. This will produce a "hop-scotching" or "alternating" sequence of upper, then lower, then upper, then lower, undesired sidebands.

If these sidebands were permitted to include all offset harmonics, the subsequent digital PLL tracking filter would produce aliasing. (The sampling frequency for the tracking filter is 1/10 the SSB RF frequency, or 10 to 15 MHz). The aliasing could, at certain frequency settings, produce spurious signals at the tracking filter output which might fall very close in frequency to the desired signal, making suppression by filtration impossible. For that reason, the low-frequency orthogonal square waves are not permitted to drive the SSB mixer directly, but rather via low-pass filters, whose rate of cutoff assures minimal square-wave harmonic energy above 5 MHz.

The tracking filter PLL operates at 1/10 the output frequency in order to allow a standard ECL phase detector to be used (U27), and to reduce the phase-modulation index due to mechanical shock and vibration so that the PLL will not break lock as easily as if no division were employed. This approach also results in a PC board having only one adjustment potentiometer, a factory-adjusted trim (R102) of the VCO RF output signal level. The PLL tracking filter has an instantaneous bandwidth of about 2700 Hz, with a very sharp cutoff for suppression of sidebands greater than 38 kHz from the main carrier. This permits code settings that produce video - locked offset frequencies as low as (the tracking

filter operates at offset frequencies 10 to 20 times those actually output by the final exciter L.O. port).

4.5.3.1.5 Final Synthesizer Output

The 100-150 MHz signal developed originally in card # 2 of the exciter's frequency synthesizer ensemble is normally used locally by card # 2. It is normally divided by 10 and SSB mixed with 200-400 MHz, to yield the final local oscillator frequency for the exciter.

However, when card # 3 (the offset card we have been discussing previously) is installed, card # 2 is re-configured to interrupt the 100-150 MHz signal path. First, prior to division by ten, the 100-150 MHz CW signal is fed over to card # 3, where it drives J3 and serves as the baseline frequency for the SSB mixer in card # 3. Then the SSB mixer in card # 3 adds ten to twenty times the final desired offset frequency to the baseline frequency, the tracking filter removes the old baseline signal as well as sideband artifacts, and the new RF frequency appears at card # 3 connector J4.

The signal from card # 3 connector J4 is now used to replace the old 100-150 MHz signal used by card # 2's divide-by-ten counter and SSB mixer. For low-band VHF channels, an additional division by 2 exists. Therefore, the offset frequency produced by card # 3 must be either 10 (for high band) or 20 (for low band) times the final transmitted offset. For a final offset of 10416.66667 Hz, the frequency produced at the output of U10 must be 40 or 80 times that for high-band or low-band, respectively. Thus, for a low-band transmitter, we require 1.6666666 MHz from U10 or 208.33333334 kHz from U33 output stages A or B. For example, if 120 MHz is applied to J3, then J4 will output 120.20833333334 MHz. When this frequency is divided by twenty in card # 2, a frequency of 6.010416...MHz is produced. Notice this is exactly 8Fh/12 offset from 6 MHz, where $F_h = 15625$ Hz. This signal is added to additional signal frequencies in card # 2 to determine the final channel frequency.

4.5.3.2 Detailed Circuitry

(Refer To Schematic Diagram 839-7900-686)

4.5.3.2.1 Division By 8 And Quadrature-phasing Circuitry

This has have generated a pulse whose repetition frequency is 400 kHz to 3.2 MHz. When this last frequency is divided by 4 by U16, then further divided by 2 by U33A or U33B, to obtain 50kHz to 400 kHz. The signal at this frequency from U33A is 90 degrees ahead or behind the signal from U33B, depending on jumpers JP22 and JP23. This is due to U33A being clocked by leading edges out of U16A, while trailing edges clock U33B.

4.5.3.2.2 TTL to SSB Mixer Interface Circuitry

The signals out of U33A and U33B are TTL (transistor-transistor-logic), and are unsuitable for direct application to the SSB mixer circuitry. The TTL signals are transformed into analog signals that swing symmetrically positive and negative about ground via transistors Q1 through Q4 and associated bias resistors and diodes. The analog signals appear across 49.9 ohm resistors, making it appear that they were supplied from 50 ohm source impedances. Each analog signal is then filtered by a 3-pole lowpass filter to preclude significant energy above 5 MHz. One filter is formed by C79, L9, and C80, while the other filter is

formed by C81, L8, and C82. Loading for the filters is provided by 150 ohm resistors shunting the impedance at the I.F. port of a mixer plus 18 ohms. Diodes D12 and D13 compensate the temperature drift of the analog signal baseline at Q4's collector due to drift of its emitter voltage plus the drift of diode D10. Diodes D8 and D9 provide similar compensation for the other analog signal baseline at Q2's collector. This compensation technique presumes that the two power rails, +15 volts and -15 volts, are equal and opposite, but errors of +/- 5% are easily tolerated.

4.5.3.2.3 SSB Mixer Circuitry

The SSB mixer is composed of two double-balanced mixers (U18 and U19) having very good local oscillator port to RF port feedthrough, a 90 degree power splitter (U17), and an in-phase power splitter (U20). The purpose of the SSB mixer circuitry is to shift the frequency of incoming signal at J3 by an amount equal to that appearing at R72/R73 or R74/R75 and a polarity determined by the installation of either JP22 or JP23.

4.5.3.2.4 Tracking Filter Circuitry

At frequencies between 100 and 150 MHz, the RF 90 degree power splitter U17 is quite accurate, but at harmonics (200 to 300 MHz and 300-450 MHz) the quadrature phasing is poor or completely erroneous. Therefore, SSB performance at harmonics is extremely poor, and we should filter the resulting frequencies. Lowpass filter U23 accomplishes this, assuring that a signal whose behavior resembles a simple stepper motor whose resolution is 90 degrees, and whose stator is revolving at the frequency of the signal at J3, and whose rotor is rotating faster or slower than that by 90 degree jumps at the offset rate. Therefore, relative to DC, the "rotor" is moving at the sum (or difference) of the signal frequency at J3 and the offset frequency.

U24 buffers, amplifies, and limits the output of the SSB mixer "stepper-motor", and applies it to a divide-by-10 counter, U25, whose output feeds one input of phase detector U27.

The other input of phase detector U27 is fed by U26, another divide-by-10 counter operating on the signal from the VCO (U29). U28 buffers that VCO signal before it is fed into U26, and U32 buffers the VCO signal before feeding it to the output connector, J4.

The phase detector outputs a differential signal voltage equal to zero when the phase and frequency of the signals at the outputs of U25 and U26 match. (The differential voltage is converted to a single-ended voltage by U34 and U35). Otherwise, a differential error voltage is produced by the phase detector, which triggers the window comparator (U37A and U37B) to indicate an unlocked condition, while driving U34, U35, and U36 in a direction to move the frequency of VCO (U29) to correct agreement with the output of the SSB "stepper motor" frequency. The jumpy "stepper-motor" action of the SSB mixer creates sidebands, which must be removed. They are filtered out by loop integrator (U36A) and R87, R88, and C73, and by a passive filter connected between U35 pin 6 and U36B pin 5. Thus, the undesired sidebands are not permitted to FM modulate the VCO, and do not appear as sidebands on the VCO output. C72 (and R86) retards the indication of loss of lock, which might shut down the

transmitter due to a transient disturbance or microphonics or vibration of the VCO.

Resistor R79 injects a DC offset into the PLL error signal, forcing the loop to cancel it by producing an opposite offset from the phase detector output. This guarantees that the phase detector is operating well away from its dead zone. C57 filters the DC offset injected by R79, so that it is free of random noise and hum.

4.5.3.3 Offset Card (#3) Adjustments

There are no user adjustments that can or should be made to this printed circuit board.

In case of malfunction, check the outputs of all power supply nodes entering this board, and, if OK, continue to check voltages within the board appearing out of regulators U15 and U12.

If you have not read the theory of operation and studied the block diagram and schematic, doing so will enhance the prospect of finding a fault.

Also check to see that RF levels at all connectors are within the range specified on the schematic when loaded in 50 ohms.

R102 adjusts the RF level at J4 to approximately -2 dBm. L10 centers the frequency range of the VCO so that it straddles 100 to 150 MHz with equal guard-band at both ends. A frequency of less than 95 MHz at J4 will typically begin to cause loss-of-lock, indicated by the "FAULT" signal going low. Above 95 MHz, this FAULT line should go high (if a pull-up resistor is present), and remain high for any frequency up to 154 MHz at J4. Above that, (by no more than 8 MHz) FAULT should go low. L10 is factory-adjusted and should never need re-adjustment unless U29, D21-23, or R92 or U12 have been replaced.

4.6 IRT Sound Modulation System

The external IRT encoder processes the incoming Left and Right signals into the proper form for modulating the main and secondary sound channels. The L+R signal is used to modulate sound carrier #1, the other to modulate sound carrier #2. The resulting modulated carriers are linearity corrected, combined and upconverted to the proper sound carrier frequency. The local oscillator output on the chassis rear will be used by a dual carrier power detector. This detector allows metering of the two sound carriers.

4.6.1 Aural Channel 1 Synthesizer - 992-9012-001

Refer to schematic 839-7900-706

4.6.1.1 Functional Description

The voltage controlled oscillator consists of Q1. The tuned circuit consists of CR1 through CR6, L3, C2 and C4. C6 and C7 establish the feedback ratio across Q1 to sustain oscillation. Use of the varactor diodes in the oscillator allow the frequency of oscillation to be changed simply by changing the bias on the varactors. The oscillator output is applied to buffer Q2 which provides a gain of 15dB. The output of Q2 is routed through a resistive pad and monolithic amplifier U1 to provide high isolation to the VCO.

4.6.1.2 Detailed Circuit Theory

The aural channel #1 phase lock loop (PLL) is U11. With the exception of the prescaler U2, it contains the programmable divide by N counter, divide by R counter, the phase detector and the lock detection circuits.

The VCO frequency is sampled by U2 a divide by 10 or 11 dual modulus prescaler. The output of the prescaler is applied to U11 a multipurpose frequency synthesizer IC. U11 divides the VCO frequency down to 12.5kHz.

U8 prescales the 16MHz input to 800kHz and applies it to U11. U11 then further divides the 800kHz to 12.5kHz. The phase detector within U11 compares the reference to the VCO and controls U10 the loop filter.

U10 processes the phase pulses from U11 and provides a dc control voltage to the VC varactor diodes.

Q3 and Q4 process U11 lock detector output to drive the on board lock LED and the remote output to the metering and control board.

R46, R47 and CR9 from a rf attenuator which are used to hold the rf output of channel #1 at a constant level. CR11 detects the output level and provides a dc voltage to comparator U14. U14 compares the detected rf level with the voltage from R53 and controls the bias to CR9. R53 is used to set the rf output level. U16 a 30dB monolithic amp provides isolation and provides the necessary level to drive the detector. L6, L7, C66, C67 and C68 form a low pass filter to attenuate any harmonics.

Audio inputs are applied to U12 which is configured as a differential amplifier to remove any common mode noise on the audio inputs. U13 is used to form the pre-emphasis network. The exact pre-emphasis curve used is determined by the selection of resistors R42, R43, R44 and R45.

A sample of the output of U12 is precision rectified by U18. The resulting signal is amplified by U18. METER CAL R80 is used to calibrate the audio level front panel metering.

U17, a similar circuit,, monitors signal level modulating the VCO. The deviation metering is calibrated by R72.

4.6.2 Aural Channel 2 Synthesizer - 992-9035-001

Refer to schematic 843-5285-381

4.6.2.1 Functional Description

The voltage controlled oscillator consists of Q1. The tuned circuit consists of CR1 through CR6, L3, C2 and C4. C6 and C7 establish the feedback ratio across Q1 to sustain oscillation. Use of the varactor diodes in the oscillator allow the frequency of oscillation to be changed simply by changing the bias on the varactors. The oscillator output is applied to buffer Q2 which provides a gain of 15dB. The output of Q2 is routed through a resistive pad and monolithic amplifier U1 to provide high isolation to the VCO.

4.6.2.2 Detailed Circuit Theory

The aural channel phase lock loop (PLL) is based on U11. It contains the programmable divide by N counter, divide by R counter, the phase detector and the lock detection circuits.

The VCO frequency is sampled by U2 a divide by 80 or 81 dual modulus prescaler. The output of the prescaler is applied to U11 a multipurpose frequency synthesizer IC. U11 divides the VCO frequency down to 12.5kHz.

The 16 MHz from synthesizer card number 1 is buffered by Q6 and divided down by the 4 bit binary counters U8 and U9. This frequency is the reference frequency to U11. The RA jumpers determine the further division of the reference inside U11. The programing details for different frequencies are detailed on the schematic drawing.

The phase detector within U11 compares the reference to the VCO and controls U10 the loop filter.

U10 processes the phase pulses from U11 and provides a dc control voltage to the VC varactor diodes.

Q3 and Q4 process U11 lock detector output to drive the on board lock LED and the remote output to the metering and control board.

R46, R47 and CR9 from a rf attenuator which are used to hold the rf output of channel 2 at a constant level. CR11 detects the output level and provides a dc voltage to comparator U14. U14 compares the detected rf level with the voltage from R53 and controls the bias to CR9. R53 is used to set the rf output level. U16 a 30dB monolithic amp provides isolation and provides the necessary level to drive the detector. L6, L7, C66, C67 and C68 form a low pass filter to attenuate any harmonics.

Audio inputs are applied to U12 which is configured as a differential amplifier to remove any common mode noise on the audio inputs. U13 is used to form the pre-emphasis network. The exact pre-emphasis curve used is determined by the selection of resistors R42, R43, R44 and R45.

A sample of the output of U12 is precision rectified by U18. The resulting signal is amplified by U18. METER CAL R80 is used to calibrate the audio level front panel metering.

U17, a similar circuit,, monitors signal level modulating the VCO. The deviation metering is calibrated by R72.

4.6.3 Sound Linearization Pre-Corrector

Sound (Aural) Linearization - 992-8293-001

Refer to schematic 839-7900-481

4.6.3.1 Functional Description

The sound linearization board performs the functions of combining the two sound IF carriers, sound exciter AGC to maintain the exciter power at a constant level and sound linearization circuits. the linearization circuits compensate for both magnitude and phase errors generated in the sound power amplifiers.

4.6.3.2 Detailed Theory

The two sound carriers from Sound Channel 1 and Channel 2 or NICAM are input at J1 and J2. The levels are scaled by resistive pads and then combined in U2. The combined sound carriers are applied to the AGC attenuator consisting of CR14, CR15 and CR16 which form a PI pad. The bias for the PIN diodes is controlled by U1, the AGC comparator. samples of the exciter output power and the control DC voltage are compared by U1

and the corresponding bias current is supplied to the AGC attenuator diodes. The range of control of this circuit is over 30 dB.

The two sound carriers are then applied to the linearization circuits. A vector approach is used to correct for both amplitude and phase error. HY1 splits the signal into two paths with a 90 degree phase difference. Two identical linearity corrector circuits then process the two signals. The signals are then combined in a 0 degree combiner. The 90 degree path signal is attenuated approximately 10 dB before combining. This path corrects for phase distortion and the 0 degree path for amplitude distortion generated in the power amplifier stages.

The linearity corrector for path one consists of buffer amp Q2 and a 10 dB gain stage Q1. The pin diodes CR4, CR5, CR6 and CR7 and resistors R38, R39 and R40 form a level controlled attenuator. When the RF level exceeds the bias on the diodes they conduct and effectively place resistors R49 and R50 in the circuit and causes a breakpoint to appear in the power curve. The bias for the diodes is controlled by resistors R51 and R52. U4 provides a low impedance path for the diode bias current.

The linearity corrector for path two operates in the same way as path one. The two paths are combined and amplified by Q7. T1 matches the output of Q7 to 50 ohms. Up conversion to the sound carrier frequency is performed by mixer MX1. L2 and C27 form a trap for the second harmonic of the IF.

4.6.4 Dual Carrier Power Detector

Refer to schematic 839-7900-707A

4.6.4.1 Functional Description

The purpose of this board is to demodulate the aural carriers for the purpose of carrier power metering. The aural carrier is processed by a dual-conversion receiver. The first stage is conversion back to the original IF using the exciter local oscillator. The second conversion stage uses a PLL generated second local oscillator. The two sound signals are now separated by filters, precision rectified and available for metering.

4.6.4.2 Detailed Theory

4.6.4.2.1 First Conversion

The aural exciter output is routed through DC1, the sample becomes one input of mixer MX1. The second input is the exciter LO. The exciter LO is routed through a directional coupler DC2. The sample is amplified by 20 dB by U7, and becomes the second input to MX1. The output of MX1 is the input of the second conversion mixer MX2.

4.6.4.2.2 Second Conversion

The LO for the second conversion is 1 mHz higher than aural #1 IF frequency. It is generated by a VCO Q1, which is frequency controlled by PLL U8. The sample of the oscillator output is divided by 10 in U1. U8 divides 10.24 mHz and the required VCO frequency to 10kHz for phase comparison. The control voltage from U8 changes the bias on varactor CR7, controlling the frequency of the VCO. This VCO output is the LO input to MX2.

4.6.4.2.3 AGC

The output of MX2 is amplified 20 dB by U6. U9 is a voltage controlled amplifier that is the variable gain element of the AGC. The aural carrier sample from DC1 is rectified, filtered and buffered by U4. This is the sample level input for one input of the differential amplifier section of U4. The output of U9 is rectified in a similar manner and is the other input to the differential amplifier. The output of the differential amplifier is used to control the gain of voltage controlled amp U9.

4.6.4.2.4 Carrier Detectors

The detected signal passes through bandpass and notch filters. Channel 1 is bandpass filtered and then notch filtered, U2 and the diode circuitry are a precision full wave rectifier. The output is further amplified by U5 and the dc voltage is routed to the exciter front panel for metering. In a similar manner the channel 2 signal is filtered, detected and available for metering.

4.6.4.3 Adjustments

The filters are factory adjusted for frequency and bandwidth.

4.7 Exciter Chassis

The chassis is the mechanical frame for supporting the exciter circuitry. The chassis interconnect wiring diagram is 839-7994-344.

4.7.1 Exciter Meter Board - 992-8946-002

Refer to schematic 843-5460-021

4.7.1.1 Functional Description

The meter board is mounted to the back side of the exciter front panel and provides the metering, control and status indications for the exciter and the transmitter. It is interfaced to the transmitter by the interface logic.

4.7.1.1.1 Transmitter Control

The transmitter ON and Off switch contact closures are cabled to the Interface Logic via J2. The LOCAL and REMOTE commands and the status indicator also are part of the J2 cabling, the logic is all performed as part of the Interface Logic, refer to Interface Logic for more information. Power control of the transmitter is a AGC feedback loop with the exciter power as a reference.

The Metering Selection is controlled by two buttons, RAISE and LOWER. The meter readings step in the desired direction and are displayed on the bargraph and digital display. This digital meter is a 4 digit unit. The bargraph is calibrated for deviation only and is a relative indicator for the other meter readings.

4.7.1.2 Theory of Operation

4.7.1.2.1 Transmitter Control (Sheet 9)

Refer to Interface Logic manual section for transmitter ON and OFF details and LOCAL and REMOTE control interfacing. The switch contacts and indicators are interfaced to the Interface Logic board assembly via J2 on the metering card and J9 at the exciter rear panel. A detailed listing of the interconnect signals is part of schematic sheet 10. A power of reset circuit (sheet 9)

using U31 generates a power up reset pulse to gate each circuit into the correct state to begin operation. A BAT buss is used to power certain circuits during a power failure. BAT voltage is furnished by a 1.0 Farad capacitor C53.

4.7.1.2.2 Loss Of Video Delay Detector

Circuitry is provided for automatic control of the transmitter ON and OFF by the presence or absence of video. The Loss of Video Delay Detector, (sheet 3) is made up of U8 through U14 to form a function "on" video present delay of 3.5 to 9.2 seconds and on video loss a delay of 1 to 2.7 minutes. The function can be inhibited by placing JP1 in the 2-3 position or enabled in the 1-2 position.

With JP1 in the NORMAL (1-2) position and video present the reset to U11-6 is asserted low allowing the oscillator in U11 to run starting a terminal count of 32768. This will assert U11-8 Hi which clocks U13-3 (D latch) Hi causing U13-5 to change to the state of the D input which is Hi. This will assert U13-6 low causing U14-1 to assert Hi signaling the delayed presence of video and un-mute the RF mute circuit.

On the loss of video U11-6 is asserted Hi resetting the video present counter and U12-6 is asserted low allowing U12 to start counting. At the time between loss of video and the terminal count of U12 the visual RF level is reduced by asserting U16-18 low which inserts R41 CW LEVEL SET pot in the visual power control circuit. At the terminal count of 32768 U12-8 will assert Hi causing U14-10 to assert low causing U13-1 to reset the D latch asserting U13-6 Hi causing U14-1 low signaling the delayed loss of video which will RF mute exciter output.

4.7.1.2.3 Override/Normal Selection

Located in the upper right hand corner of the meter board is JP1 NORMAL/OVERRIDE jumper selection. In the NORMAL position the delay timers operate as outlined above. In the OVERRIDE position both delay timers are inhibited and the loss of video signal is passed through U14 to RF mute circuit of the exciter.

Power Raise and Lower button contact closures input to U20, the METER_CLK_GATE. Remote control inputs to U20 are opto-isolated by U21. U20 is one of several Programmable Logic Array (PAL) with custom programming. This can replace large amounts of individual integrated circuits.

METER_CLK_GATE U20 Functional Descriptions

IC	PIN TYPE	FUNCTION
	1 IN	9.5HZ CLOCK TO ALL REGISTERS
	2 IN	METER UP COMMAND
	3 IN	METER DOWN COMMAND
	4 IN	VISUAL RAISE POWER COMMAND
	5 IN	VISUAL LOWER POWER COMMAND
	6 IN	AURAL RAISE POWER COMMAND
	7 IN	AURAL LOWER POWER COMMAND
	8-13 IN	NOT USED
	14 OUT	VISUAL STAY
	15 OUT	AURAL POWER DOWN
	16 OUT	VISUAL POWER DOWN

17	OUT	VISUAL POWER UP
18	OUT	AURAL STAY
19	OUT	METER DELAY BIT 2 (NOT USED)
20	OUT	METER DELAY BIT 1 (NOT USED)
21	OUT	METER DELAY BIT 0 (NOT USED)
22	OUT	METER CLOCK
23	OUT	AURAL POWER UP

IC U20 contains debounce logic for the raise/lower controls and the meter up/down plus a 3 bit counter for clocking the meter select PAL U17. "Debounce" logic is used to change a noisy switch closure to a defined transition between two logic states.

The 3 bit binary counter divides the 105ms clock on pin 1 by 8 for a 840ms clock rate to U17 METER SELECT PAL when the meter UP or DOWN button is pressed, otherwise the counter rests at 0 count.

The RAISE/LOWER COMMANDS are debounced by the 105ms clock and passed on to the POWER UP/DOWN output pins.

VISION STAY output is asserted Hi if neither VISION RAISE or LOWER buttons are pressed. This signal is used by the vision power control PALs U26 & U27.

SOUND STAY output is asserted Hi if neither SOUND RAISE or LOWER buttons are pressed. This signal is used by the sound power control PALs U29 and U30.

PALs U18 and U19 gate the clock signal generated by timer U22 to clock the up/down counters U26 and U27.

VIS_CLK_GATE U18 & AUR_CLK_GATE U19 Functional Descriptions

IC	PIN TYPE	FUNCTION
	1 IN	CLOCK TO ALL REGISTERED OUTPUTS
	2 IN	VISUAL POWER UP COMMAND
	3 IN	VISUAL POWER DOWN COMMAND
	4-13 IN	NOT USED
	14 OUT	DIVIDE BY 16 OF CLOCK PIN 1
	15 OUT	U/D DELAY COUNTER BIT 1
	16 OUT	U/D DELAY COUNTER BIT 4
	17 OUT	U/D DELAY COUNTER BIT 0
	18 OUT	DIVIDE BY 32 OF CLOCK PIN 1
	19 OUT	U/D DELAY COUNT BIT 3
	20 OUT	DIVIDE BY 8 OF CLOCK PIN 1
	21 OUT	DIVIDE BY 4 OF CLOCK PIN 1
	22 OUT	DIVIDE BY 2 OF CLOCK PIN 1
	23 OUT	CLOCK TO UP/DOWN POWER CONTROL

PALs U18 & U19 contain a divide by 32 free running counter plus a gated one-shot delay repeat clock rate counter called U/D DELAY COUNTER.

The U/D DELAY COUNTER BITS only change state when the UP or DOWN button is pressed otherwise the U/D counter rests at state 0 count. The U/D counter is clocked once each time pin 18 changes (divide by 32 of pin 1) state. Once the U/D counter reaches the count of 0Dh it stays there until the button is released.

Pin 23 POWER CONTROL clocks the 12 bit UP/DOWN POWER CONTROL counters when the RAISE or LOWER button is pressed. The first one-shot pulse is issued when the U/D counter is at the count of 04h and then repeats the pin 1 clock rate after U/D counter reaches the count of 0Dh. Pin 23 signal clocks U26 and 27 VIS_UP/DWN as controlled by the up/down information from U20.

VISION UP/DOWN (Sheet 7)

Up/Down counters U26 and U27 are the digital counters whose output is changed to an analog voltage by the digital to analog converter (D/A) U25. This vision output control voltage is buffered by U24 and be switched off by either Loss of Video or a RF mute command in U 23. This DC output voltage is one input of differential amplifier U24. The other input is the foldback voltage from the Interface Board. The output of U24 is routed via the motherboard to the VSB/IF AGC card.

SOUND UP/DOWN (Sheet 8)

The sound power control works in a similar fashion. The resulting sound power control voltage is routed via the motherboard to the 1W sound amplifier where the voltage is used as a reference for the sound agc.

4.7.1.2.4 Metering and Meter Control

Closing the meter select UP or DOWN switch generates a METER_CLOCK pulse output from U20 (Sheet 6). This pulse goes two places. The pulse is an input to U44, this chip determines what meter positions are used or blanked when not used. Usage is determined by the jumper plugs JP4 through JP17. When the jumper plug grounds the input, the display is blanked in that position.

This pulse also goes to METER_SEL, PAL U17 (Sheet 5). The multiplexers are controlled from the meter selection PAL U17 on sheet 5 of the schematic. This PAL contains a three bit up/down counter plus decoders to generate a buss address for the multiplexers. These multiplexers select the input, the calibrate control and the decimal point placement for each meter reading.

PAL U42 selects the decimal point position for each measurement.

U4 is the multiplexer for the RF power measurements. The output of U4 is unity gain buffered by U7 and is squared by the analog multiplier U5.

Multiplexer U40 selects the voltage measurement to be metered. Enable outputs from U17 determine which switch of U6 will be closed and route the power or voltage signal to the analog to digital converter circuit U1. The input of the A/D is a voltage divider consisting of R19 and the calibrate control selected by U39. The wiper on R19 furnishes a calibrated sample of the selected voltage to drive a bargraph DS3 and DS4 controlled by U2 and U3.

The output of the A/D is binary coded decimal (BCD) information. This are decoded by PALs U35-U38, to drive displays DS1 and DS2.

The decimal points (DP1*, DP2*, DP3*) are asserted low by U42 to turn on the display decimal point.

NOTE: The (*) character is used to denote a signal is asserted LOW when true.

Decoders U15 and U41 decode the buss information and illuminate the appropriate LED indicating the meter position. Other LEDs are used to indicate the fault and interlock status of the transmitter and any fault status information from the exciter cards.

4.7.2 Main Power Supply

Refer to 839-7900-504

The power supply is located in right rear area of the main chassis. AC power is input to the exciter through an ac line filter and circuit breaker/switch. A fan, connected to the ac input potential, operates whenever power is switched on. Terminal board TB1 and a power transformer with five primary windings allows a wide selection of operational voltages in the 120 and 240 volt range.

All dc supplies in the exciter are full-wave rectified, filtered, and regulated for stable operation. The dc potentials are distributed throughout the exciter for operation of the internal circuitry. Certain potentials are re-regulated on some circuit boards to assure stable operation of certain critical circuits.

4.7.2.1 Positive 24 Volt Supply

A 24-volt winding of transformer T1 is full-wave rectified by bridge rectifier CR1 into a +29.2 volt dc source. This potential is regulated into a stable positive 24-volt supply at 2 amperes by U1. Diode CR9 protects the regulator from a reverse polarity potential applied to the output and diode CR4 protects the regulator from a short circuit on the regulator input. R16 provides a means to adjust the output of the regulator. Capacitor C6 prevents oscillation of the regulator and the capacitors on the output filter high frequency ac components.

4.7.2.2 Positive and Negative 15 Volt Supplies

A 32-volt winding of transformer T1 is full-wave rectified by bridge rectifier CR2 into a +20.2 and a -20.2 volt dc source. These potentials are regulated into stable positive and negative 15-volt supplies at 2 amperes by U2 and U3. Diodes CR10 and CR11 protect the regulators from a reverse polarity potential applied to the output and diodes CR5 and CR6 protect the regulators from a short circuit on the regulator inputs. R17 provides a means to adjust the output of the positive regulator and R18 provides a means to adjust the output of the negative regulator. Capacitors C7 and C8 prevent oscillation of the regulators and the capacitors on the output filter high frequency ac components.

4.7.2.3 Positive and Negative 5 Volt Supplies

A 17-volt winding of transformer T1 is full-wave rectified by bridge rectifier CR3 into a +10.4 and a -10.4 volt dc source. These potentials are regulated into stable positive and negative 5-volt supplies at 2 amperes by U4 and U5. Diodes CR12 and CR13 protect the regulators from a reverse polarity potential applied to the output and diodes CR7 and CR8 protect the regulators from a short circuit on the regulator inputs. R19 provides a means to adjust the output of the positive regulator and R20 provides a means to adjust the output of the negative regulator. Capacitors

C9 and C10 prevent oscillation of the regulators and the capacitors on the output filter high frequency ac components.

4.7.3 Mother Board

Reference drawing 839-7900-709.

The mother board is used to provide wiring between the printed wiring boards, jumpers JP1, JP2 and JP3 allow the bypassing of vacant board positions. The only components are bypass capacitors.

4.7.4 CMR Filter

Reference Drawing 839-7900-508

This filter is used bypass RF from the incoming signal wiring. Incoming cables are also wound on ferrite cores to block RF currents on the shields.

4.7.5 Extender Card

Reference Drawing 839-7900-172

Each exciter has an extender card that allows the extension of cards above the card cage for trouble-shooting and adjustment. The extender card also has 5 LEDs that monitor the 5 power supply volages and provide convenient power supply voltage monitoring points.

5.1 Introduction

This section provides general maintenance information, electrical adjustment procedures, and troubleshooting information for the VHF TV exciter. It is strongly suggested that each procedure be read through completely before attempting any adjustments.

The exciter is factory tuned and normally tested and aligned with the transmitter and is ready for operation in the transmitter.

The maintenance and the adjustment of the exciter is divided into categories.

- Routine maintenance consists of keeping the exciter clean and verifying that the fan is functioning. There is a RFI filter between the fan and the chassis that should be checked regularly for dirt buildup and cleaned when needed.
- Alignment and monitoring calibration of individual subassemblies. This alignment is for the proper functioning of the card or assembly. One example would be the VCO adjustment on a synthesizer card.
- Adjustment of correction circuitry of subassemblies to compensate for the distortions of the transmitter system as a whole. Adjustment of differential gain is a good example.

5.2 Exciter Adjustment Sequence

Normal Exciter adjustments are done after a check of transmitter performance indicates that adjustment is needed to meet specific-

Table 5-1. Adjustment Sequence

STEP	PROCEDURE:	REFER TO:
1	Check Video Level	Video Input Card
2	Depth of Modulation	Modulator Card
3	Exciter Swept Response	Modulator Response Equalizer
4	Coarse Differential Gain/Luminance Linearity	If Linearity Correction
5	ICPM Adjustment	IF Quadrature Corrector
6	Fine Differential Gain	Video Input Differential Gain
7	Differential Phase	Differential Phase Corrector
8	Group Delay	Primarily Delay Compensation Check Notch Diplexer Equalizer
9	Adjust Aural Deviations	Sound Channel Synthesizers
10	Adjust Power Limits	Exciter Meter and Control
11	Transmitter Frequency	Synthesizer 1 or Precise Frequency Standard

ations. A change in needed correction can indicate a need for troubleshooting to locate the cause of the change. If the transmitter requires more drive, investigate a possible loss in gain due to a partial module failure. A change in transmitter AGC voltage is another indicator of a transmitter gain change. If a change in the exciter is indicated, check the power supply voltages first. A change in supply voltages would cause a shift in many adjustments and calibrations.

5.2.1 Transmitter Adjustment Sequence

NOTE

The transmitter should be operating at a stable temperature. The transmitter AGC should be checked and adjusted if needed. A change in AGC adjustment will change the exciter output power and that will change the correction adjustments.

The pre-correction and level adjustments should be carried out in the order shown in Table 5-1.

5.2.2 Safety Considerations

Only low potentials are present on the circuit boards within the VHF TV exciter (+24, +/-15, +/-5), however primary power is present in the shielded cage in the right rear of the unit. This area should be covered during troubleshooting to prevent accidental contact with the primary line potential. The information contained in this section should be performed by trained and experienced personnel. Good judgement, care, and common sense are the best accident preventives.

5.3 Vision Exciter Video Alignments

A section for each card has an alignment procedure followed by the procedure for system adjustment.

5.3.1 Video Input Card

NOTE

NOTE: For adjustment refer to the operation section

5.3.1.1 Initial System Setup

Refer to Table 5-1

- a. Set JP1, JP2 and JP4 for NTSC or PAL.
- b. Set JP5 for AC or DC coupling.
- c. Set JP3 to ground or float the video input cable shield. Floating the shield may help with common mode signals caused by ground loops for example.

5.3.1.2 Control Presetting

- a. Turn off Differential Gain and Low Frequency Correctors to correctly align the board, Set S1 and S2 to OUT
- b. Turn off white clipping by turning R71 fully counter-clockwise (CCW).
- c. Apply 1.0 p-p video to the input at J1 from a video test signal generator.

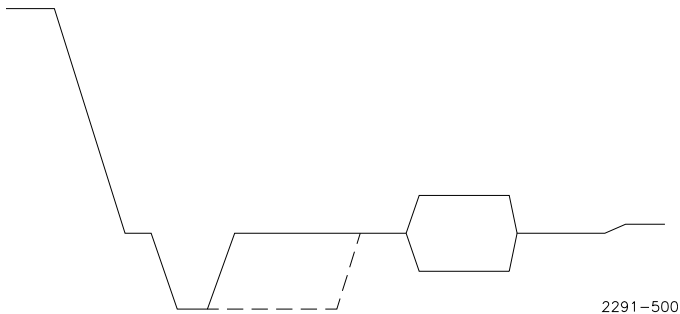
- d. Using an oscilloscope monitor the voltage at TP4 and adjust R1 for a 1.1 volt p-p level.
- e. Check TP8, the generated burst pulses should be 1.7 volts p-p.
- f. Check TP6, the regenerated sync pulse amplitude should be 5 volt p-p.

5.3.1.3 Loss of Video Adjustment

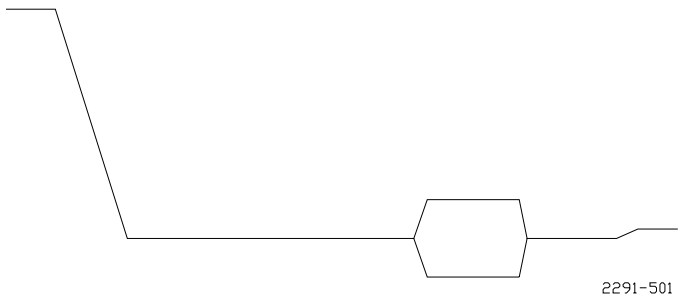
- a. Turn R106 and R111 fully CCW.
- b. Adjust R141 until U17 locks and the loss of video indicator DS1 is off. Adjust R141 to be half way between the two points where DS1 illuminates, indicating loss of video.
- c. Temporarily remove video to check loss of video operation, DS1 should illuminate.

5.3.1.4 Sync Removal Adjustment

- a. Preset R110 full clockwise (CW) and R105 full CCW.
- b. Monitor TP7, sync-clipped video, with an DC coupled oscilloscope.
- c. Adjust R131 until the following waveform is obtained.



- d. Adjust R110 and R105 until a sync-free waveform as shown in figure below is obtained. R105 will remove any glitch if present just before burst. Be careful to only remove the glitch, not the burst. R110 will remove the sync pulses.



- e. Readjust R131 until the blanking level is flat.
- f. Adjust R124 to set the blanking level to 0.0 volts DC.
- g. Recheck for flatness in the blanking level, readjust R131 if needed.

5.3.1.5 Sync Level Adjustment

Adjust R2 for approximately 700 mV p-p of sync at TP5.

5.3.1.6 Frequency Response and Group Delay

- a. VM700 alignment procedure

1. If a VM700 is available, connect the video card output test jack J2 to the VM700, terminate the input with 75 ohms.
 2. Select a sinX/X generator signal.
 3. Select Group Delay and SinX/X from the measurement menu of the VM700. The response and group delay of the board are being adjusted. Use the VM700 Relative-Reference mode for best accuracy.
 4. First adjust R115 for best compromise between group delay and response.
 5. Adjust R120 for best frequency response.
 6. Adjust R157 for best group delay.
 7. Repeat steps e and f until the required response and group delay is achieved.
- b. Waveform monitor procedure
 1. Select a multiburst test pattern signal.
 2. Adjust R115 for the flattest response as observed on the waveform monitor.
 3. Select a Multipulse or other group delay measuring signal from the generator.
 4. Adjust R115 for a best compromise for group delay and response, repeating steps a and b as needed.
 5. Adjust R120 for best frequency response.
 6. Adjust R157 for best group delay.

5.3.1.7 Sync Parameter Adjustment

Observe video and reinserted sync at TP5.

- a. Adjust front porch duration with R111.
- b. If a glitch appears at the leading edge of sync, readjust R111 until it just disappears and the timing is still in within specification.
- c. Adjust sync duration with R106.

5.3.1.8 White Clip Adjustment

- a. Select a staircase or ramp signal from the generator that has 100% luminance.
- b. Increase video level with R1 until luminance level is higher than the desired clip level.
- c. Adjust R71 clockwise to set the luminance white clip to the desired level, such as 110%.
- d. Reset R1 for 100% luminance level.

Differential gain and low frequency linearity adjustments may have an affect on frequency response and group delay, check these parameters after the transmitter gain and linearity corrections have been made and trim the adjustments as needed. Video and sync level final adjustments may be set with R1 and R2.

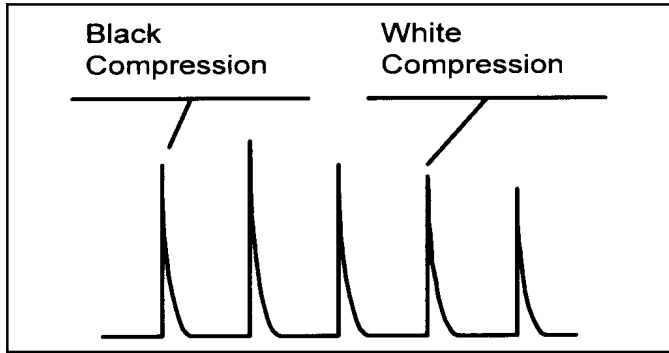
5.3.1.9 Operation

5.3.1.9.1 Setting the Video Level

- a. Apply a 1Vp-p staircase video signal to the exciter video input.
- b. Adjust video gain control, R1, for 1Vp-p at J2, video monitor output on the Diff Phase board.

- c. Check to verify that the IF Linearity and Quad corrector switches are in the normal position and that the proper adjustments have been completed.

5.3.1.9.2 Correction for luminance linearity error



- a. Set the BYPASS (LFL) switch to the IN position.
- b. Monitor the transmitter output with the demodulator connected to a waveform monitor and vectorscope.
- c. Place the waveform monitor in the differentiated step mode.
- d. Start with all LF linearity controls maximum CCW.
- e. Adjust the sections of white compression or white expansion as needed. The goal is equal amplitude of all the differentiated steps. The threshold controls determine the starting point of the correction and the slope controls the amplitude of the correction.
- f. Adjust CW the threshold control to set the point at which correction begins, if this point is not visible increase the slope.
- g. Adjust the slope control to change the amplitude of the correction.

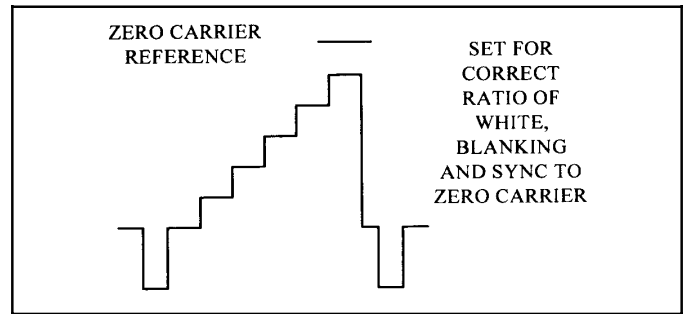
5.3.1.9.3 Correction for differential gain

- a. Select the differential gain display on the vectorscope. A waveform monitor with a subcarrier bandpass display may be used. It will be more difficult to view the small changes in differential gain.
- b. Apply a 1Vp-p staircase or ramp video signal with chroma to the exciter video input.

- c. Set the BYPASS (DIFF GAIN) switch to the IN position.
- d. Start with all differential gain controls maximum CCW.
- e. Adjust the sections of white compression or white expansion as needed. The goal is to straighten the vectorscope display of differential gain. The threshold controls determine the starting point of the correction and the slope controls the amplitude of the correction.

5.3.1.9.4 Sync Level Adjustment

Adjust SYNC LEVEL for the correct sync level. Check the depth of modulation and adjust if needed.



Differential gain and low frequency linearity adjustments may have an affect on frequency response and group delay, check these parameters after the transmitter gain and linearity corrections have been made and trim the adjustments as needed. Video and sync level final adjustments may be set with R1 and R2.

5.3.2 Notch Diplexer/Receiver Equalizer

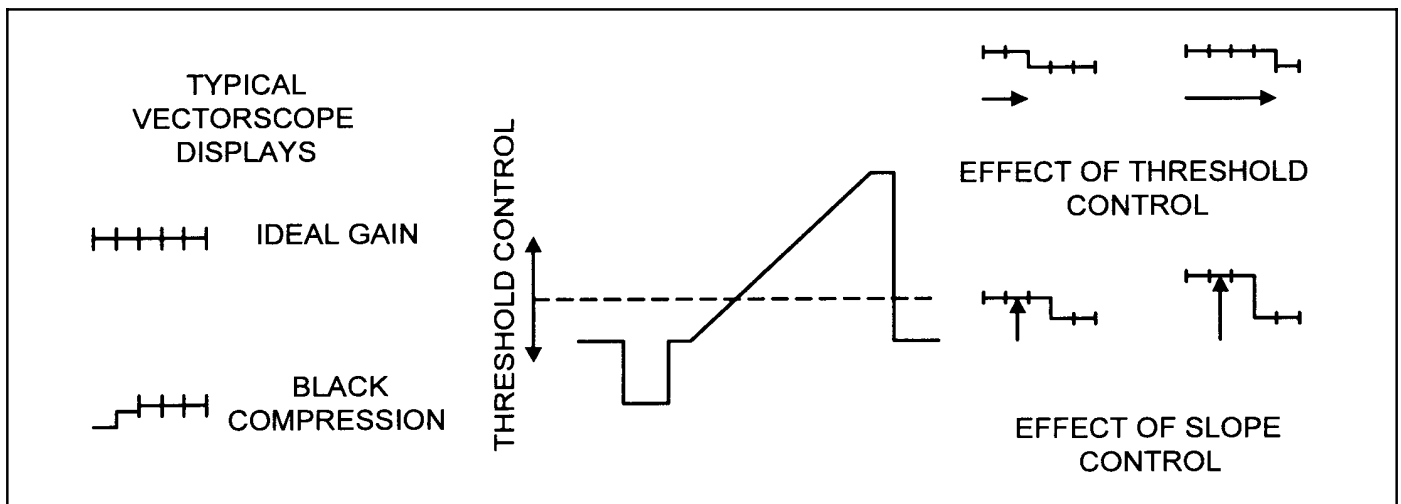
5.3.2.1 Video Level and Response Alignment

Install the equalizer on the extender card and use a scope probe for the following:

- a. Note the video level at R10. If the level is not approximately 1 volt p-p, check video input level and Video Input card.
- b. Monitor the voltage at R5 and adjust if needed, R97 for unity gain.

5.3.2.2 Frequency Response Alignment

- a. Apply a multiburst signal and compare the response at R10 and R5. Adjust C25 to remove any tilt in response.



- b. Monitor the waveform at R5, adjust the DC OFFSET to place the blanking portion of the video at zero volts DC when the board is in the ENABLE mode.

5.3.2.3 Delay and Response Adjustments (System Precorrection)

The units have been factory aligned using precision network analyzers. The receiver equalizers should not need adjustment. The notch diplexer equalizers may need a small adjustment of section 5 to match the actual notch diplexer characteristics.

- a. Observe the 2T and 12.5T pulses and adjust Q ADJUST R50 to remove any base line error.
- b. Observe response and adjust AMPL, FREQ and Q of the NOTCH AMP section of the amplitude corrector.

Refer to the Modulator/Group Delay section for additional group delay information.

5.3.3 Differential Phase Corrector

5.3.3.1 Clamp Pulse Alignment

With a DC coupled scope on TP8, adjust R84 to put the clamp pulse peak at 0V.

5.3.3.2 Frequency response Alignment

Using a multiburst signal or video sideband adapter as a video source, adjust C1 for a flat response as monitored on J2 on the differential phase corrector card.

Adjust C48 for minimum interaction between differential gain and differential phase while switching the NORMAL/BYPASS switch in and out.

5.3.3.3 Differential Phase Adjustment (System Precorrection)

Using envelope detection on the demodulator observe the transmitter's differential phase distortion and adjust as follows (see Figure 5 -1).

- a. Set Phase corrector NORMAL/BYPASS (in/out) switch to NORMAL(in) position.
- b. Set all slope controls mid range.
- c. Set all threshold controls fully CCW.
- d. Starting with threshold 1 advance the threshold control to set the first break-in point in the phase corrector, then adjust the slope to increase or decrease the desired amount of correction. If the correction is in the wrong direction

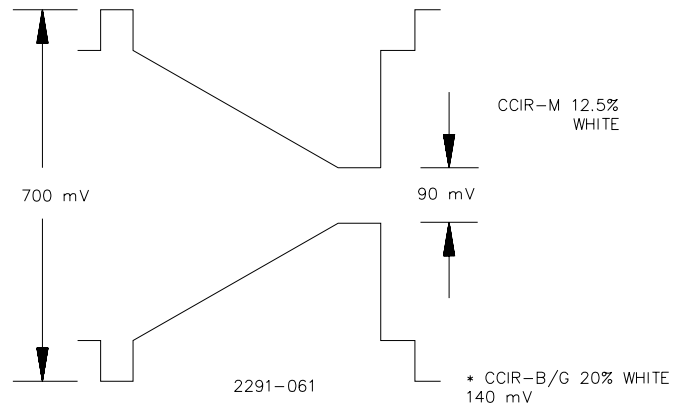


Figure 5-1

adjust threshold 1 and 2 fully CCW and skip to threshold 3.

- e. Adjust the slope control CW to increase correction. Adjust the slope control CCW to decrease correction.
- f. Use remaining threshold and slope pairs as required to optimize the transmitter differential phase.

5.4 Vision Modulator and IF

5.4.1 Vision Modulator Alignment Procedure

This procedure adjusts the modulator output level and modulation depth. It is assumed that the modulator has not previously been set-up, is badly out of adjustment, or components have been replaced.

1. Set IF drive control fully CW.
2. Set modulator FREQ and Q controls fully CCW.
3. Set VIDEO DR (DRIVE) control and MOD BIAS control to mid-range.
4. Proper adjustment of the MOD BAL (BALANCE) control requires a demodulator with a display of ICPM. If this control has previously been adjusted, do not disturb its setting. Otherwise, set this control for mid-

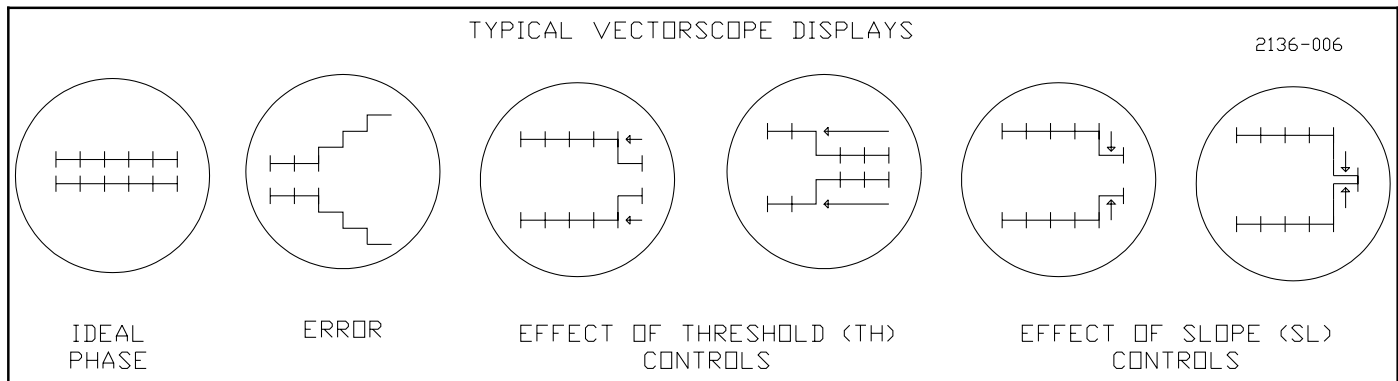


Figure 5-2. Diff. Phase, Effects of TH and SL Controls

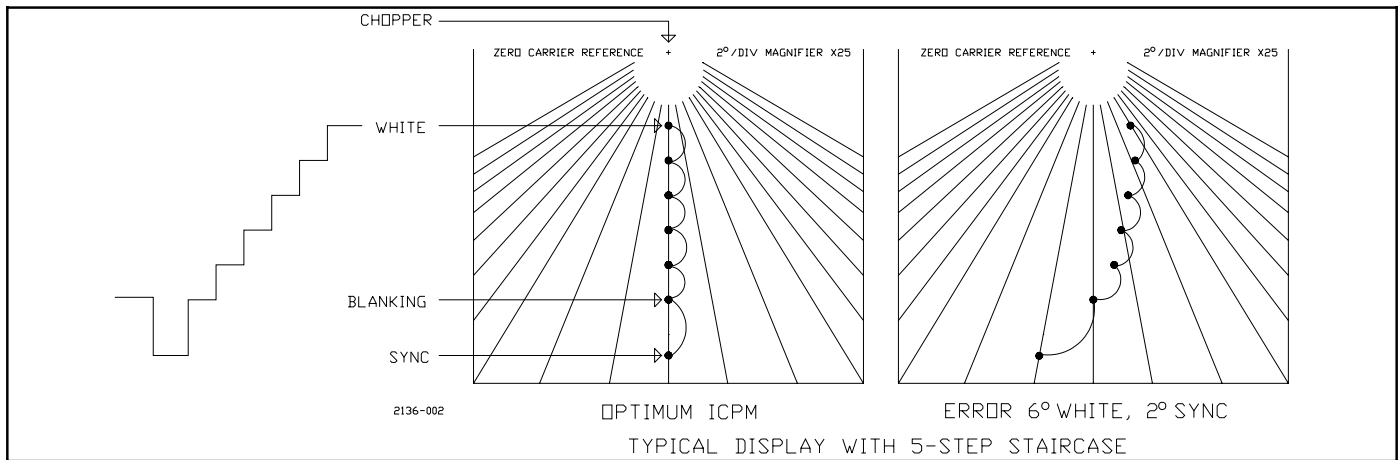


Figure 5-3. ICPM Display

- range, then refer to MOD BAL adjustment after completing this level and ratio adjustment.
5. Apply a 1V p-p luminance only ramp/staircase to the exciter video input. Set VIDEO GAIN, R18, on the Video Input/Diff. Gain board for 1V p-p at J2 on the Diff. Phase board (J2 must be terminated in 75 ohms).
6. Set jumper P1 to the MOD TEST POSITION (P1 2-3) on the MOD/DELAY COMP board. Connect the modulator PC board test output, J2, to the input of a high frequency oscilloscope (BW 50 MHz). Terminate in 50 ohms.
7. Adjust the modulator video level control for 700 mV at peak of sync and mod bias control for 88mV p-p at white for CCIR - M (12.5% ratio) or 70mVp-p at white for CCIR - B (10% ratio). See Figure 5-2. The two controls interact so it will be necessary to go back and forth until both conditions are achieved at the same time.
8. Restore jumpers and cables to normal.
- a. Although the setting of the IF DRIVE control is not critical, some adjustment may be desirable to improve linearity. This procedure assumes the modulator ratio is set up properly.
 1. Apply a modulated staircase/ramp to exciter input.
 2. Observe demodulated exciter output on a vector scope (or band-limited sub-carrier on a waveform monitor).
 3. Adjust IF DRIVE, R1, for best differential gain.

b. Modulator Balance

This adjustment should not normally be required unless a modulator component is replaced or a new unadjusted PC board is installed. Before attempting this adjustment, insure that the modulator set-up adjustments have been accomplished.

1. Apply a five step staircase to the exciter video input.
2. Switch out all exciter correction by setting to bypass.
3. Demodulate the exciter output and observe incidental phase on a Waveform Monitor.

4. Adjust mod balance control for a minimum incidental phase at white.
5. Readjust MOD BIAS for correct modulation depth at white. See Figure 5-3.
6. If the phase was PREVIOUSLY adjusted, the transmitter differential phase and ICPM may need to be adjusted when the exciter is returned to operation.
- c. Check swept response at the output of the exciter and refer to response equalizer adjustments if required.

5.4.1.1 Equalizer Adjustments

Three controls make up the Response equalizer on the Modulator.

- a. Slope control - used to tilt the entire sweep waveform.
- b. Q and FREQUENCY (the other two controls) work together and are usually used to correct for response problems around the carrier (if needed at all).

These controls should be used only to flatten the exciter frequency response and not to correct response errors elsewhere.

If no equalization is required, the Q and FREQUENCY controls should be set fully CCW. This effectively removes them from the circuit. This adjustment procedure assumes that the modulator has been previously adjusted for the proper output level and modulation depth. If this has not been done, perform modulator set-up before proceeding.

Large amounts of equalization (1dB) are not normally required. However, large amounts of correction (if used) will attenuate the modulator board output level and may require readjusting the video level control to restore the correct modulator output level.

5.4.1.2 Alignment Procedure

- a. Apply sync pulse video sweep (0-5 MHz) to the exciter video input.

NOTE

NOTE The lower sideband at IF becomes the upper sideband at vision carrier. This is due to using a local oscillator frequency higher than vision carrier. This is important if the response is monitored at IF instead of monitoring RF on carrier.

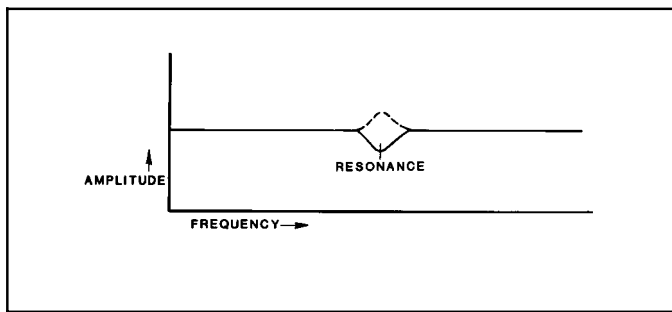


Figure 5-4. Effect of "BAL" Control on Amplitude Response

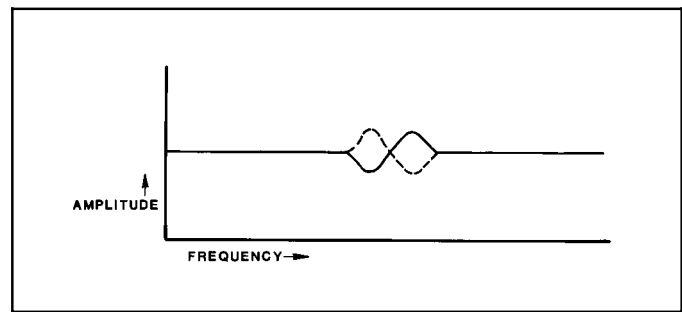


Figure 5-5. Effects of "PHASE" Control on Amplitude Response

- b. Observe swept response of exciter output. The VSB IN/OUT switch should be set to OUT. Set DELAY COMP IN/OUT switches to out.
- c. Set modulator Q and FREQ controls fully CCW. Swept response should be only slightly tilted at this time.
- d. Use the Slope control to take out as much tilt as possible (level up the markers at the desired sideband limits).
- e. If response is flat, leave Q and FREQ fully CCW (this effectively takes them out of circuit).
- f. If the markers are even but there is a response problem in between them, adjustment of Q and FREQ will be necessary.
- g. Adjust modulator Q control partially CW and then adjust the FREQ control until changes in the passband response are evident. Watch the area below carrier, it may take several turns.
- h. Using the least possible clockwise rotation of the Q control, alternately adjust Q, FREQ and Slope of the modulator section for the flattest response across the bandpass.
- i. Switch in VSB and touch up response if necessary

5.4.1.3 Delay Compensator Adjustment Through Transmitter

NOTE

Measure ICPM and correct if needed before adjusting group delay. Note that when the receiver equalization is active, the receiver sound trap must also be in the circuit.

Generally, the BALANCE and PHASE controls of each section can be used to correct minor frequency response deficiencies without interacting with the group delay adjustments. Refer to Figures 5-4 & 5-5. Correspondingly, moderate adjustments of the group delay Q and FREQ controls will not affect the frequency response adjustment.

- a. Set up test equipment per Figure 5-6.
- b. Apply video sweep and sync to the exciter input and observe the transmitter output on a sideband analyzer.
- c. Sample the transmitter before the notch diplexer (if used) and set Notch Diplexer Equalizer to BYPASS.
- d. Set DELAY COMP switches to OUT position.
- e. Set VSB IN/OUT switch to OUT position.
- f. Ensure that transmitter frequency response is correct with both VSB and delay compensator bypassed.
- g. If group delay adjustments not have been previously performed, or the condition of alignment is unknown, perform preliminary adjustments in paragraph entitled Alignment Procedure.
- h. Switch the VSB and DELAY COMPS back in.
- i. Using the Balance and Phase controls, adjust for the best flat frequency response through the transmitter. The front corrector should control the low end of the band and the rear the high end. The Q and FREQUENCY controls

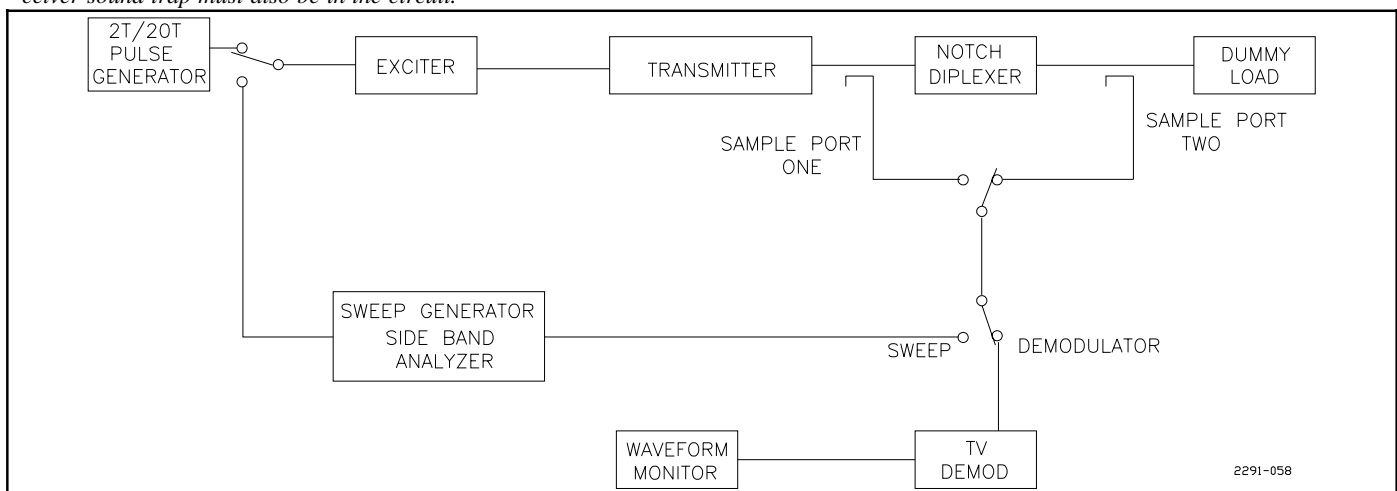


Figure 5-6. Test Equipment for Group Delay and Notch Diplexer Equalizer Adjustments

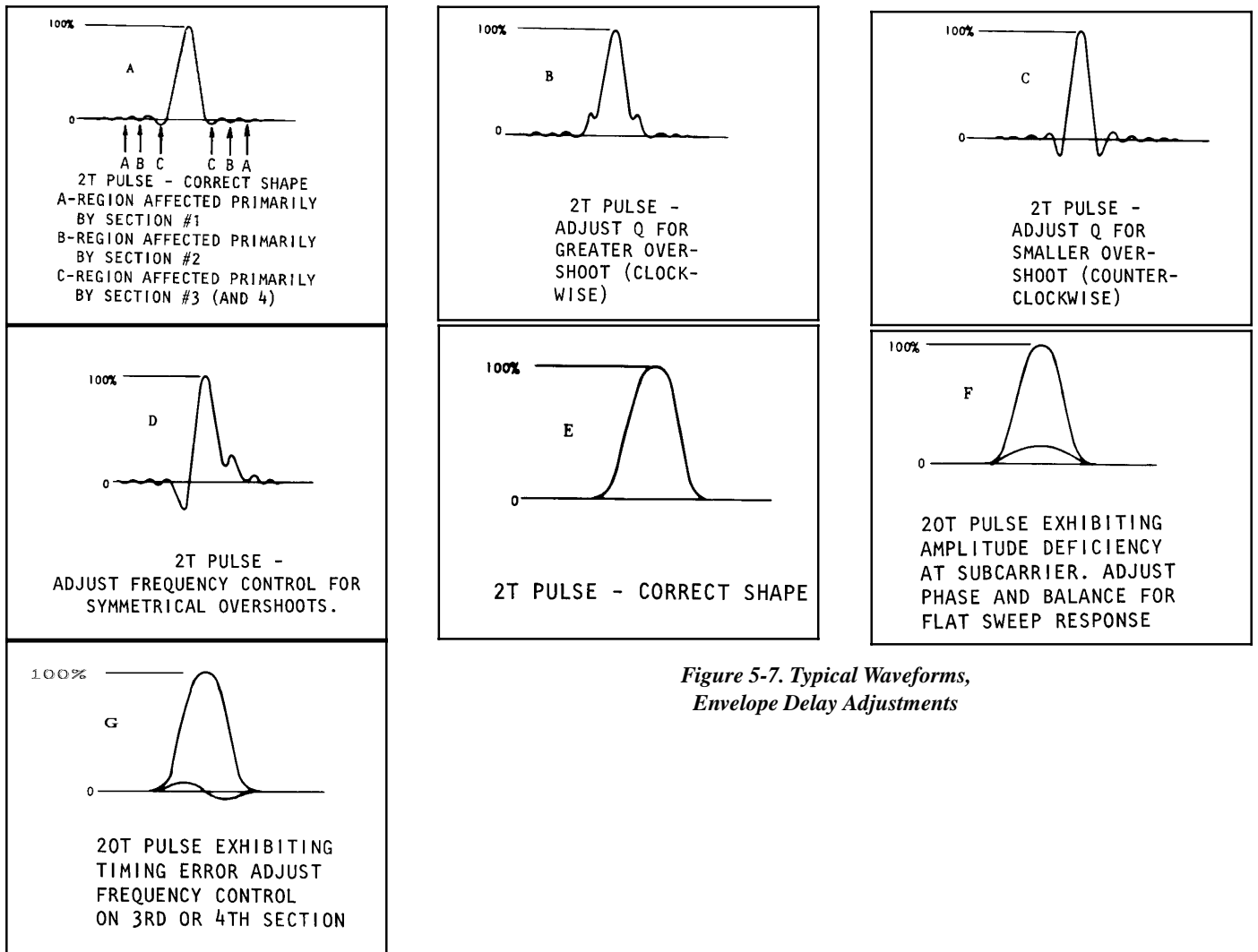


Figure 5-7. Typical Waveforms, Envelope Delay Adjustments

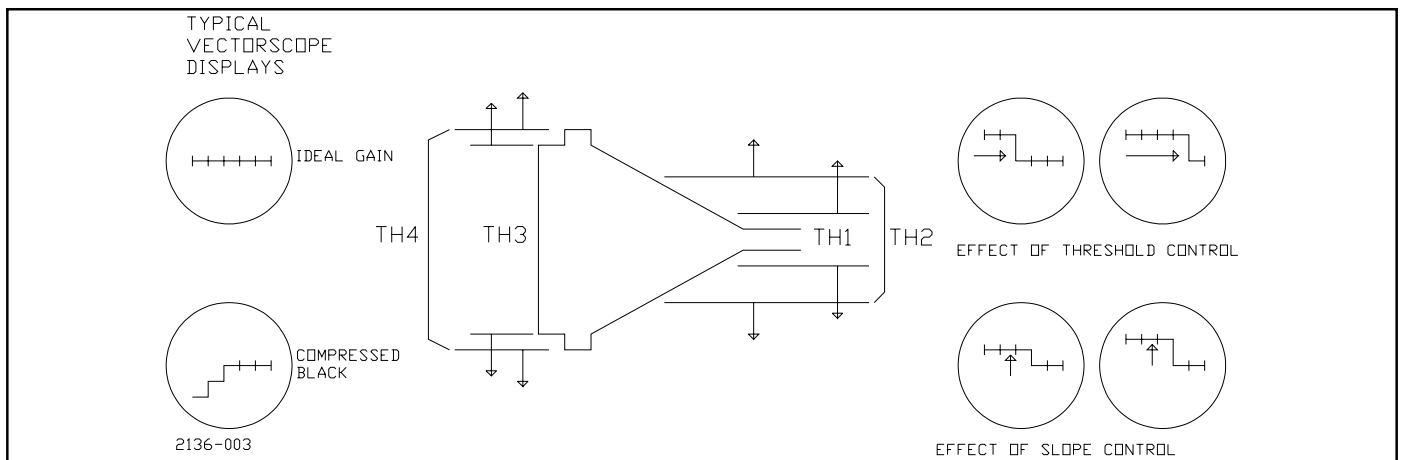


Figure 5-8. Diff. Gain, Effect of TH and SL Controls

primarily effect the group delay which is observed to be correct when minimum ringing occurs on 2T pulse and minimum baseline distortion is seen on the 12.5 or 20T modulated pulse. See Figure 5-7.

CAUTION

DO NOT TURN THE FREQUENCY CONTROLS MORE THAN ONE OR TWO TURNS FROM THE PRESET OR THEY MAY BE MOVED OUT OF THE PASSBAND AND THE EFFECT WILL NOT BE VISIBLE MAKING IT IMPOSSIBLE TO RECOVER THE DESIRED ALIGNMENT WITHOUT STARTING OVER.

- j. Apply composite video test signal to the exciter. Observing 2T adjust the front section **FREQ** for symmetrical overshoots, and the front **Q** for minimum ringing and overshoot.
- k. Observing 12.5 or 20T adjust rear **FREQ** for a symmetrical baseline, and the rear **Q** for best compromise of minimum ringing of window leading edge, 2T symmetry & close in ring, and baseline symmetry of the 12.5 or 20T pulse.
- l. Repeat several cycles of amplitude response and pulse adjustments until both conditions are satisfactory.
- m. Small changes in differential gain, ICPM, or differential phase may occur as a result of the delay adjustments a quick check of those parameters should be made when completing delay adjustments.
- n. Sample transmitter after the notch diplexer and proceed to notch diplexer equalizer adjustments if needed.

5.4.2 VSB and AGC Card

Frequency Response Alignment

Monitor the frequency response between the input and output of the VSB filter and adjust **Q**, **R18** and **FREQ**, **C44** for flat response.

5.4.2.1 VSB Filter Gain Alignment

- a. The **PAD** control, **R7**, adjusts the VSB filter circuit for unity gain as the filter is switched in and out.
- b. Set the exciter for minimum power out.
- c. Set jumper **J101** to **MANUAL** position. Raise exciter power to a nominal power. Note the exciter power reading with the VSB filter in.
- d. Switch VSB out and set the **PAD** control, **R7**, on the VSB/AGC board, for the same power level observed when the filter was in.
- e. Switch VSB to **IN**, and set jumper, **J101**, back to **AUTO**.

5.4.2.2 IF AGC Adjustment (Vision)

This adjustment sets the amount of headroom in the IF AGC circuit, and prevents overshoots in drive level after a loss of drive.

- a. Connect a DC VOM to **TP1** on the VSB/AGC board.
- b. Bring the transmitter up to normal operating power.
- c. Turn the IF AGC control (on the VSB/AGC board) fully **CW** for maximum voltage at **TP1**, and note the voltage.
- d. Now turn the IF AGC control **CCW** until the voltage at **TP1** is 20% less than the maximum voltage noted in the previous step.

5.4.3 IF Linearity and Quadrature Correction (Coarse Differential Gain and ICPM)

The following adjustments should be used to correct for differential gain and ICPM that is normally introduced in a transmitter. Keep in mind that the IF linearity adjustment is a coarse adjust. The fine adjust will come from the Video differential gain adjustments on the Video input/Diff. gain board. These adjustments should be made after the transmitter is at operating power, and any AGC or drive attenuator adjustments which might effect drive required have already been accomplished.

- a. Apply modulated stairstep signal to the video input.
- b. On linearity corrector, set **TH-1** through **TH-4** (threshold) fully **CCW**. Set **SL-1** through **SL-4** (slope) to midrange. Set **NORMAL/BYPASS** switch to **NORMAL**.(**IN**)
- c. On Quadrature Corrector, set **TH-1**, through **TH-4** (threshold) fully **CCW**. Set **SL-1** through **SL-4** (slope) to mid-range. Set **NORMAL/BYPASS** switch to **NORMAL**.(**IN**)
- d. Adjust **VISION POWER** control for 100% power output.
- e. The thresholds will become active first in the sync or black region and will appear to walk across the vector scope display as you turn the control clockwise. The objective in this correction sequence is to place the breakpoints at the required level between sync and white then adjust the amount of gain or phase change using the slope control for each section of the corrector.
- f. Observe differential gain and perform the following IF Linearity Corrector adjustments (see Figure 5-8).
- g. Adjust **TH-1** and **SL-1** for optimum differential gain in the white to gray region.
- h. Adjust **TH-2** and **SL-2** for optimum differential gain in the gray to black region.
- i. Adjust **TH-3** and **SL-3** for optimum differential gain in the black region.
- j. Adjust **TH-4** and **SL-4** for optimum sync to video ratio at 100% power. Make minor adjustments to vision power as necessary.

NOTE

Plugs P2 and P3 on the Linearity Board are normally set for gain expansion (Pins 2-3). Compression can be accomplished in sections two and four by connecting plugs P3 and P2 to ground (pins 1-2). This may be needed to correct for U shaped gain curves.

Using a synchronous demodulator with a quadrature video output, monitor ICPM and perform the following steps on the Quadrature Corrector:

Since this correction is a parallel system, continue to monitor differential gain while simultaneously observing ICPM.

- a. Adjust **TH-1** and **SL-1** for optimum incidental phase in the white to gray region.
- b. Adjust **TH-2** and **SL-2** for optimum incidental phase in the gray to black region.
- c. Adjust **TH-3** and **SL-3** for optimum incidental phase in the black region.

- d. Adjust TH-4 and SL-4 for optimum incidental phase in the sync region.
- e. Periodically re-adjust the differential gain using the IF Linearity corrector as required.
- If the direction of phase correction is not in the direction needed to counteract the transmitter shift you may reverse the jumpers at P1 on the IF linearity section of the corrector to reverse the direction of phase shift of all TH and SLOPE CONTROLS. Connecting P1 1-2 and 3-4 generally provides the direction of shift needed to compensate the Harris solid state HT series units.

Jumpers P101 and P102 on the quad section reverse the phase of ONLY TH-2 and TH-4, and may help in case of S shaped phase distortion curves.

Make final adjustments to the IF Linearity Corrector such that Differential gain is within 2 to 4 percent or as close as possible.

5.5 Sound Alignment

5.5.1 Sound Channel 1 Synthesizer Alignments

NOTE

When replacing a board, check the programming with the data on the schematic or the board that is being replaced. Next adjust the VCO frequency.

5.5.1.1 VCO Frequency

- a. Connect a dc coupled scope to TP3 (Directly below DS1).
- b. Adjust L1 for 8Vdc at TP3.
- c. The loop should be locked and DS1 should be off. This centers the frequency in the PLL control range.

The operating frequencies are all determined by the reference oscillator on the Synthesizer Card 1. (Refer to 10MHz Frequency Standard adjustment or PFC frequency adjustments on the VHF synthesizer Card 1).

5.5.1.2 Audio Level Meter Calibration

Apply to the audio input a signal of one volt RMS. Select meter position AUDIO 1 INPUT LEVEL (V). Adjust R80 for a meter indication of 1.00V.

5.5.1.3 Modulation Level Adjust.

Apply a steady 400 Hz tone at the level of peak program material. Using external modulation measuring equipment, adjust MOD LEVEL ADJUST R37 for full deviation level. Another method would be to use a spectrum analyzer and set modulation level. R37 for the appropriate Bessel null.

5.5.1.4 Deviation Metering

At peak deviation by modulation monitoring or Bessel null, adjust peak deviation METER CAL R72 for full deviation indication using meter position SOUND 1 DEVIATION.

5.5.2 Sound Channel 2 Synthesizer Alignments

NOTE

When replacing a board, check the programming with the data on the schematic or the board that is being replaced. Next adjust the VCO frequency.

5.5.2.1 VCO Frequency Alignment

- a. Connect a dc coupled scope to TP3 (Directly below DS1).
- b. Adjust L1 for 8Vdc at TP3.
- c. The loop should be locked and DS1 should be off. This centers the frequency in the PLL control range.

The operating frequencies are all determined by the reference oscillator on the Synthesizer Card 1. (Refer to 10MHz Frequency Standard adjustment or PFC frequency adjustments on the VHF synthesizer Card 1).

5.5.2.2 Audio Level Meter Calibration

Apply to the audio input a signal of one volt RMS. Select meter position AUDIO 2 INPUT LEVEL (V). Adjust R80 for a meter indication of 1.00V.

5.5.2.3 Modulation Level Adjust.

Apply a steady 400 Hz tone at the level of peak program material. Using external modulation measuring equipment, adjust MOD LEVEL ADJUST R37 for full deviation level. Another method would be to use a spectrum analyzer and set modulation level. R37 for the appropriate Bessel null.

5.5.2.4 Deviation Metering

At peak deviation by modulation monitoring or Bessel null, adjust peak deviation METER CAL R72 for full deviation indication using meter position SOUND 2 DEVIATION.

5.5.3 Sound Linearization Card

5.5.3.1 Level Adjustment

The following procedure sets the proper transmitter levels of the two sound carriers and pre-correct for the transmitter intermodulation products of the sound carriers.

- a. Connect sample of the sound transmitter output through an appropriate attenuator to a spectrum analyzer.
- b. Adjust R53 in the sound 2 channel so that the two carriers are the desired level, typically second carrier is 7 dB lower than the main channel.
- c. Adjust the sound power of the transmitter to the desired level.

5.5.3.2 Linearization Adjustment

5.5.3.2.1 IF Gain correction

Set all the linearization controls fully CCW. Set P2 and P3 to position 1-2.

- a. Switch S1 to IN.
 1. Rotate R49 (gain slope 1) approximately 1 turn CW.
 2. Rotate R51 (gain threshold 1) CW. Observe intermodulation products. If the intermodulation products are reduced, alternately adjust R49 and R51 for the lowest intermodulation. If the product increase, then set the jumper P2 to position 2-3 and repeat steps 1 and 2. If the intermodulations increase in both positions of P2, then no correction is needed. Return R49 and R51 to the full CCW position.
 3. If the intermodulation was improved in step 2 then alternately adjust R50 and R52 for the lowest intermodulation signals.

Table 5-2

SYNTHESIZER CARD 1 PROGRAMMING CHART		
IF FREQUENCY	JUMPER SELECTION	
MHz	12 11 7654321	PLL BW
37.0	1000110	001
37.1	1000111	001
37.2	1001000	001
37.3	1001001	001
37.4	1001010	001
37.5	1001011	001
37.6	1001100	001
37.7	1001101	001
37.8	1001110	001
37.9	1001111	001
38.0	1010000	001
38.1	1010001	001
38.2	1010010	001
38.3	1010011	001
38.4	1010100	001
38.5	1010101	001
38.6	1010110	001
38.7	1010111	001
38.8	1011000	001
38.9	1011001	001
39.0	1011010	001
40.0	1011011	001
45.75	1 0 1001010	001

5.5.3.2.2 Phase Correction

1. Rotate R71 (phase slop 1) approximately 1 turn CW.
2. Rotate R53 (phase threshold 1) CW.
3. Observe intermodulation distortion products. If they are lowered, alternately adjust R71 and R53 for the lowest intermodulation.
4. If the intermodulation increases, set jumper plug P3 to the 2-3 position and repeat steps 1 and 2 above. If the intermodulation again increases then no correction is needed. return R71 and R54 fully CCW.
5. If the intermodulation was improved in step 2 then alternately adjust R72 and R54 for lowest intermodulation.

5.5.4 Dual Sound Detector

The dual sound detector card is factory aligned and calibrated. It has no field adjustments. It should be returned to the factory for re-alignment.

5.6 Exciter Final Amplifier

5.6.1 Alignment

There are no adjustments except the change in jumper position that determines the AGC operation. Replacement of the unit may also require realignment of the AGC or the set-up of exciter power limits.

5.7 Frequency Synthesis

5.7.1 VHF Synthesizer Card 1

5.7.1.1 10MHz Frequency Standard Adjustment

- a. Remove power to the exciter.
- b. Remove the cover to the synthesizer slot and place card 1 on the extender card. Disconnect the PFC input, J5, from card 1. (If you do not have the PFC option, there won't be a cable connected to J5).
- c. Connect a frequency counter to the 10MHz connector J3.
- d. Apply power to the exciter and allow 15 minutes warm up minimum.
- e. Measure the frequency on the counter. It should be 10.000000MHz exactly. If not adjustment of R1 may be required.
- f. Reconnect the PFC input, J5, to card 1 and replace synthesizer card into the RFI enclosure and refit the cover.

5.7.1.2 Internal PFC Adjustment

- a. Remove power to the exciter.
- b. Verify that the PFC option has been installed in the exciter.
- c. Remove the cover to the synthesizer slot and place card 1 on the extender card.
- d. Connect a frequency counter to the 10MHz connector J3.
- e. Apply power to the exciter and allow 15 minutes warm up minimum.
- f. The PFC ON indicator DS1 should be illuminated. If not check that there is a minimum of 1Vpp at the PFC input, J5.
- g. Measure the frequency on the counter. It should be 10MHz exactly. If not adjustment of the internal PFC vernier may be required.
- h. Replace synthesizer card 1 into the RFI enclosure and refit the cover.

5.7.1.3 External PFC Adjustment

- a. Remove power to the exciter.
- b. Verify that the PFC option has been installed in the exciter and that the external 5 or 10MHz standard has been applied to the exciter at J10.
- c. Remove the cover to the synthesizer slot and place card 1 on the extender card.
- d. Connect a frequency counter to the 10MHz connector J3.
- e. Apply power to the exciter and allow 15 minutes warm up minimum.

- f. The PFC ON indicator DS1 should be illuminated. If not check that there is a minimum of 1Vpp at the PFC input, J5.
- g. Measure the frequency on the counter. It should be 10MHz exactly. If not adjustment of the external PFC frequency may be required.
- h. Replace synthesizer card 1 into the RFI enclosure and refit the cover.

5.7.1.4 Testing An Untuned Card 1 Synthesizer

In the event that an untuned synthesizer card must be replaced in the field the following test equipment is required for satisfactory alignment:

- a. Oscilloscope Tektronix 475 or equivalent.
- b. Frequency counter HP5315A or equivalent.
- c. Spectrum analyzer HP3585 or equivalent.
- d. Modulation monitor HP8901 or equivalent.

5.7.1.4.1 Visual inspection

Visually inspect the printed wiring board for shorts and opens. Visually inspect the printed wiring board for the correct installation of all integrated circuits and semiconductors.

5.7.1.4.2 Programing

- a. Refer to the channel assignment and determine what frequency the synthesizer is to be set for.
- b. Refer to the programing chart, Table 5-2, and remove the jumpers for the correct IF frequency of operation.

NOTE: IN = LOW = 0
OUT = HIGH = 1

5.7.1.4.3 Test Connections

- a. Remove power from the exciter.
- b. Remove the cover from the synthesizer slot and place card 1 on the extender card.
- c. Turn on the exciter power supply.

5.7.1.4.4 Reference frequency chain setup

- a. Disconnect the PFC input to card 1 at J5, if applicable.
- b. Connect the frequency counter to the boards 10MHz connector J3. Allow 15 min warm up.
- c. Adjust R1 (frequency Adjust) for 10.000000MHz as read on frequency counter.
- d. Connect the frequency counter to the boards 5MHz connector. The frequency should be 5.000000MHz.
- e. Connect the oscilloscope to TP4. Adjust L4 for maximum peak to peak signal.
- f. Connect the frequency counter to the boards 16MHz connector, J4. The frequency should be 16.000000MHz.
- g. Connect the frequency counter to the boards 800kHz connector. The frequency should be 800.000kHz.

5.7.1.4.5 PFC Setup

- a. Temporarily connect the spectrum analyzers rear panel 10MHz output to card 1's 10MHz PFC input J5.
- b. Connect the oscilloscope to TP1. Adjust L1 for maximum dc voltage on scope (Approximately 6VDC).

- c. DS1 (PFC ON IND.) should be on.
- d. Reconnect the exciter's PFC input to card 1, J5 (if applicable).

5.7.1.4.6 30MHz Peaking Adjustment

- a. Connect the spectrum analyzer through a scope probe to TP 6. Set the analyzer for a span of 0 - 40MHz.
- b. Adjust L7 for maximum 30MHz signal as seen on the analyzer.

5.7.1.4.7 PLL Lock Adjustment

- a. Connect the modulation monitor RF input to the boards IF connector J6. Select frequency on the modulation monitor.
- b. Connect the oscilloscope to U11 pin 7.
- c. Adjust C38 for + 7Vdc on U11 pin 7. The loop should be locked. Lock is indicated by a stable dc voltage on the scope. The modulation monitor should read the desired IF frequency.

5.7.1.4.8 Output Filter Adjustment

- a. Connect the boards IF output J6 to the spectrum analyzers 50 ohm input. Set the analyzer for:

CENTER:	20MHz
SPAN:	40MHz
RBW:	1kHz
REF:	+10dBm
RANGE:	+10dBm
INPUT:	50 OHMS
- b. Alternately adjust L17, L18, L19 for maximum IF frequency level. The level should be +7dBm minimum. Spurs should be less than -80dBc.

5.7.1.4.9 FM Noise Measurement

- a. Connect the IF output J6 to the modulation monitor RF input.
- b. Measure the FM noise relative to 75kHz deviation with 75usec de-emphasis. The noise measured should be less than -80dB.

5.7.2 VHF Synthesizer Card 2

There are no user adjustments required on card 2.

5.7.2.1 Testing A Synthesizer Card 2

In the event that a synthesizer card must be replaced in the field the following test equipment is required for satisfactory alignment:

- a. Oscilloscope Tektronix 475 or equivalent.
- b. Frequency counter HP 5315A or equivalent.
- c. Spectrum analyzer HP3585 or equivalent.
- d. Modulation monitor HP8901 or equivalent.

5.7.2.2 Visual Inspection

- a. Visually inspect the printed wiring board for shorts and opens.
- b. Visually inspect the printed wiring board for the correct installation of all integrated circuits and semiconductors.

5.7.2.3 Programming

- a. Refer to the channel assignment and determine what frequency the synthesizer is to be set for.

Table 5-3

SYNTHESIZER CARD 2									
PROGRAMMING CHART									
USA CHANNEL PROGRAMMING									
CHAN	F _{LO}	N _{U35}	F _{VCO}	F _{RACH}	1N0-7	1A0-5	F _{SSB}	N _{U27}	N0-6
					76543210	543210			6543210
2-	92.24	2	184.48	14.48	10010000	001000	170	34	1011110
2F	92.25	2	184.50	14.50	10010001	000000	170	34	1011110
2+	92.26	2	184.52	14.52	10010001	000010	170	34	1011110
3-	98.24	2	196.48	11.48	01110010	001000	185	37	1011011
3F	98.25	2	196.50	11.50	01110011	000000	185	37	1011011
3+	98.26	2	196.52	11.52	01110011	000010	185	37	1011011
4-	104.24	2	208.48	13.48	10000110	001000	195	39	1011001
4F	104.25	2	208.50	13.50	10000111	000000	195	39	1011001
4+	104.26	2	208.52	13.52	10000111	000010	195	39	1011001
5-	114.24	2	228.48	13.48	10000110	001000	215	43	1010101
5F	114.25	2	228.50	13.50	10000111	000000	215	43	1010101
5+	114.26	2	228.52	13.52	10000111	000010	215	43	1010101
6-	120.24	2	240.48	10.48	01101000	001000	230	46	1010010
6F	120.25	2	240.50	10.50	01101001	000000	230	46	1010010
6+	120.26	2	240.52	10.52	01101001	000010	230	46	1010010
7-	212.24	1	212.24	12.24	01111010	000100	200	40	1011000
7F	212.25	1	212.25	12.25	01111010	000101	200	40	1011000
7+	212.26	1	212.26	12.26	01111010	000110	200	40	1011000
8-	218.24	1	218.24	13.24	10000100	000100	205	41	1010111
8F	218.25	1	218.25	13.25	10000100	000101	205	41	1010111
8+	218.26	1	218.26	13.26	10000100	000110	205	41	1010111
9-	224.24	1	224.24	14.24	10001110	000100	210	42	1010110
9F	224.25	1	224.25	14.25	10001110	000101	210	42	1010110
9+	224.26	1	224.26	14.26	10001110	000110	210	42	1010110
10-	230.24	1	230.24	10.24	01100110	000100	220	44	1010100
10F	230.25	1	230.25	10.25	01100110	000101	220	44	1010100
10+	230.26	1	230.26	10.26	01100110	000110	220	44	1010100
11-	236.24	1	236.24	11.24	01110000	000100	225	45	1010011
11F	236.25	1	236.25	11.25	01110000	000101	225	45	1010011
11+	236.26	1	236.26	11.26	01110000	000110	225	45	1010011
12-	242.24	1	242.24	12.24	01111010	000100	230	46	1010010
12F	242.25	1	242.25	12.25	01111010	000101	230	46	1010010
12+	242.26	1	242.26	12.26	01111010	000110	230	46	1010010
13-	248.24	1	248.24	13.24	10000100	000100	235	47	1010001
13F	248.25	1	248.25	13.25	10000100	000101	235	47	1010001
13+	248.26	1	248.26	13.26	10000100	000110	235	47	1010001

Table 5-4

SYNTHESIZER CARD 2 PROGRAMMING CHART AUSTRALIAN CHANNEL PROGRAMMING									
CHAN	F _{LO}	N _{U35}	F _{VCO}	F _{RACH}	1N0-7	1A0-5	F _{SSB}	N _{U27}	N0-6
					76543210	543210			6543210
0	85.15	2	170.30	10.30	01100111	000000	160	32	0100000
1	96.15	2	192.30	12.30	01111011	000000	180	36	1011100
2	103.15	2	206.30	11.30	01110001	000000	195	39	1011001
3	125.15	2	250.30	10.30	01100111	000000	240	48	1010000
4	134.15	2	268.30	13.30	10000101	000000	255	51	1001101
5	141.15	2	282.30	12.30	01111011	000000	270	54	1001010
5A	177.15	1	177.15	12.15	01111001	000101	165	33	1011111
6	214.14	1	214.15	14.15	10001101	000101	200	40	1011000
7	221.15	1	212.15	12.15	01111001	000101	200	40	1011000
8	228.15	1	228.15	13.15	10000011	000101	210	42	1010110
9	235.15	1	235.15	10.15	01100101	000101	225	45	1010011
10	248.15	1	248.15	13.15	10000011	000101	235	47	1010001
11	255.15	1	255.15	10.15	01100101	000101	245	49	1001111

Table 5-5

SYNTHESIZER CARD 2 PROGRAMMING CHART EUROPEAN CHANNEL PROGRAMMING									
CHAN	F _{LO}	N _{U35}	F _{VCO}	F _{RACH}	1N0-7	1A0-5	F _{SSB}	N _{U27}	N0-6
					76543210	543210			6543210
E2	87.15	2	174.30	14.30	10001111	000000	160	32	1100000
E2A	88.65	2	176.30	11.30	01110001	000000	165	33	1011111
E3	94.15	2	188.30	13.30	10000101	000000	175	35	1011101
E4	101.15	2	202.30	12.30	01111011	000000	190	38	1011010
E5	214.15	1	214.15	14.15	10001101	000101	200	40	1011000
E6	221.15	1	221.15	11.15	01101111	000101	210	42	1010110
E7	228.15	1	228.15	13.15	10000011	000101	215	43	1010101
E8	235.15	1	235.15	10.15	01100101	000101	225	45	1010011
E9	242.15	1	242.15	12.15	01111001	000101	230	46	1010010
E10	249.15	1	249.15	14.15	10001101	000101	235	47	1010001
E11	256.15	1	256.15	11.15	01101111	000101	245	49	1001111
E12	263.15	1	263.15	13.15	10000011	000101	250	50	1001110

Table 5-6
SYNTHESIZER CARD 2
PROGRAMMING CHART
System I (South Africa)

Channel	Vis Freq.	Aur. Freq		LO	RACH	INO-7	INO-5	F-SSB	INO-6
I4	175.25	181.75	181.25	214.15	14.15	10001101	000101	200	1011000
I5	183.25	189.75	189.25	222.15	12.15	01111001	000101	210	1010110
I6	191.25	197.75	197.25	230.15	10.15	01100101	000101	220	1010100
I7	199.25	205.75	205.25	230.15	13.15	10000011	000101	225	1010011
I8	207.25	213.75	213.25	246.15	11.15	01101111	000101	235	10100001
I9	215.25	221.75	221.25	254.15	14.15	10001101	000101	240	1010000
I10	223.25	229.75	229.25	262.15	12.15	01111001	000101	250	1001110
I11	231.25	237.75		270.15	10.15	01100101	000101	260	101100

Table 5-7
SYNTHESIZER CARD 2
PROGRAMMING CHART
RUSSIA TV

CHANNEL	VIS FREQ.	AUR FREQ.	LO	RACH	INO-7	INO-5	F-SSB
R1	49.75	56.25	88.65	12.30	01111011	000000	165
R2	59.25	65.75	98.15	11.30	01110001	000000	185
R3	77.25	83.75	116.15	12.30	01111011	000000	220
R4	85.25	91.75	124.15	13.30	10000101	000000	235
R5	93.25	99.75	132.15	14.30	10001111	000000	250
R6	175.25	181.75	214.15	14.15	10001101	000101	200
R7	183.25	189.75	222.15	12.15	01111001	000101	210
R8	191.25	197.75	230.15	10.15	01100101	000101	220
R9	199.25	205.75	238.15	13.15	10000011	000101	225
R10	207.25	213.75	246.15	11.15	01101111	000101	235
R11	215.25	221.75	254.15	14.15	10001101	000101	240
R12	223.25	229.75	262.15	12.15	01111001	000101	250
	INO-6						
R1	1011111						
R2	1011011	ON INO-6	1 IS = TO JUMPER IN	LOW BAND			
R3	1010100		0 IS = TO JUMPER OUT	JP2 AND JP3 OUT			
R4	1010001						
R5	1001110	ON INO-5 & INO-7					
R6	1011000		1 IS = TO JUMPER OUT	HIGH BAND			
R7	1010110		0 IS = TO JUMPER IN	JP1 AND JP4 OUT			
R8	1010100						
R9	1010011						
R10	1010001						
R11	1010000						
R12	1001110						

**Table 5-8
SYNTHESIZER CARD 2
PROGRAMMING CHART
CHINA TV**

CHANNEL	VIS FREQ.	AUR FREQ.	LO	RACH	INO-7	INO-5	F-SSB
D1	49.75	56.25	88.65	12.30	01111011	000000	165
D2	57.75	64.25	96.65	13.30	10000101	000000	180
D3	65.75	72.25	104.65	14.30	10001111	000000	195
D4	77.25	83.75	116.15	12.30	01111011	000000	220
D5	85.25	91.75	124.15	13.30	10000101	000000	235
D6	168.25	174.75	207.15	12.15	01111001	000101	195
D7	176.25	182.75	215.15	10.15	01100101	000101	205
D8	184.25	190.75	223.15	13.15	10000011	000101	210
D9	192.25	198.75	231.15	11.15	01101111	000101	220
R10	200.25	206.75	239.15	14.15	10001101	000101	225
D11	208.25	214.75	247.15	12.15	01111001	000101	235
D12	216.25	222.75	255.15	10.15	10001101	000101	240
	INO-6						
D1	1011111						
D2	1011100		ON INO-6	1 IS = TO JUMPER IN	LOW BAND		
D3	1011001			0 IS = TO JUMPER OUT	JP2 AND JP3 OUT		
D4	1010100						
D5	1010001		ON INO-5 & INO-7				
D6	1011001			1 IS = TO JUMPER OUT	HIGH BAND		
D7	1010111			0 IS = TO JUMPER IN	JP1 AND JP4 OUT		
D8	1010110						
D9	1010100						
D10	1010011						
D11	1010001						
D12	1010000						

Table 5-9
SNYTHESIZER CARD 2 PROGRAMMING CHART
K1 (French Overseas)

Chan	LO	Vis carrier	Sound car	Rach	I	N	O	7	I	N	O	5	F	SSB	N	U	27	N	O	6						
					N7	N6	N5	N4	N3	N2	N1	N0	A5	A4	A3	A2	A1	A0	N6	N5	N4	N3	N2	N1	N0	
K4	212.75	175.25	181.75	12.75	0	1	1	1	1	1	1	1	0	0	0	1	0	1	200	40	1	0	1	1	0	0
K5	220.75	183.25	189.75	10.75	0	1	1	0	1	0	1	1	0	0	0	1	0	1	210	42	1	0	1	0	1	0
K6	228.25	191.25	197.75	13.75	1	0	0	0	1	0	0	1	0	0	0	1	0	1	215	43	1	0	1	0	1	0
K7	236.75	199.25	205.75	11.75	0	1	1	1	0	1	0	1	0	0	0	1	0	1	225	45	1	0	1	0	0	1
K8	244.75	207.25	213.75	14.75	1	0	0	1	0	0	1	1	0	0	0	1	0	1	230	46	1	0	1	0	0	1
K9	252.75	215.25	221.75	12.75	0	1	1	1	1	1	1	1	0	0	0	1	0	1	240	48	1	0	1	0	0	0
K10	260.75	223.25	229.75	10.75	0	1	1	0	1	0	1	1	0	0	0	1	0	1	250	50	1	0	0	1	1	0

RA2-RA0	OO1	N7	N6	N5	N4	N3	N2	N1	N0	A5	A4	A3	A2	A1	A0
		0	1	1	1	1	1	0	0	0	0	0	0	0	0

AURAL 31MHZ

- b. Refer to the programing chart (Table 5-3, 5-4 and 5-5) and remove the jumpers for the correct RACHET (Frach) and LO (Flo) frequency of operation. The “ratchet” is the same as an incremental offset loop.

NOTE: All columns except NO-6

Jumper in = low = 0

Jumper out = high = 1

Column NO-6

Jumper in = high = 1

Jumper out = low = 0

5.7.2.4 Test Connections

- a. Remove the cover from the synthesizer slot and place card 2 on the extender card.
- b. Connect the 5MHz and 800kHz from card 1 card 2 J1 and J2.
- c. Turn on the power supply.

5.7.2.5 Incremental Offset PLL Setup

- a. Set R13 for mid range.
- b. Connect the frequency counter through a scope probe to the junction of L4 and C39. The frequency measured should agree with the programing chart. This is the ratchet loop frequency (Frach on programming chart).
- c. Connect the spectrum analyzer’s tracking generator output through a 100k resistor to U2 pin 3. Connect the spectrum analyzers RF input through a scope probe to the junction of R15 and R13.
- d. Set the analyzer for:

START:	0Hz
STOP:	500kHz
RBW:	1kHz
REF:	-25dBm
RANGE:	-25dBm
INPUT:	1M ohm
- e. Adjust L3 for a notch centered at 100kHz.
- f. Adjust L2 for a notch centered at 200kHz.
- g. Remove the tracking generator and 100k resistor.

5.7.2.6 Main PLL Setup

- a. Set R44 to mid range. (This is a 5 turn pot).
- b. Connect the frequency counter to the LO output connector J3. The frequency measured should be the desired LO frequency (Flo on programming chart).
- c. Connect the spectrum analyzer’s tracking generator output through a 100k resistor to U25 pin 3. Connect the spectrum analyzers RF input through a scope probe to the junction of R43 and R44.
- d. Set the analyzer for:

START:	0Hz
STOP:	500kHz
RBW:	1kHz
REF:	-25dBm
RANGE:	-25dBm
INPUT:	1M ohm

- e. Adjust L5 for a notch centered at 100kHz.
- f. Adjust L7 for a notch centered at 200kHz.
- g. Remove the tracking generator and 100k resistor.

5.7.2.7 FM Noise Measurement

- a. Connect the LO output J3 to the modulation monitor RF input.
- b. Measure the FM noise relative to 75kHz deviation using 75usec de-emphasis. The noise should be less than -80dB.

5.7.2.8 ICPM Measurement

At the exciter output, J2

- a. Adjust R13 for best ICPM and microphonics.
- b. Adjust R14 for best ICPM and Microphonics.
- c. ICPM should measure less than +/- .5 degree peak to peak.

5.7.2.9 Final Installation

- a. Remove card 2 from the extender and place it into the RFI enclosure.
- b. Refit the RFI enclosure cover to the synthesizer slot.
- c. Refit the exciter lid.

5.7.3 Offset Card (#3) Adjustments

There are no user adjustments that can or should be made to this printed circuit board.

In case of malfunction, check the outputs of all power supply nodes entering this board, and, if OK, continue to check voltages within the board appearing out of regulators U15 and U12.

If you have not read the theory of operation and studied the block diagram and schematic, doing so will enhance the prospect of finding a fault.

Also check to see that RF levels at all connectors are within the range specified on the schematic when loaded in 50 ohms.

R102 adjusts the RF level at J4 to approximately -2 dBm. L10 centers the frequency range of the VCO so that it straddles 100 to 150 MHz with equal guard-band at both ends. A frequency of less than 95 MHz at J4 will typically begin to cause loss-of-lock, indicated by the “FAULT\” signal going low. Above 95 MHz, this FAULT\ line should go high (if a pull-up resistor is present), and remain high for any frequency up to 154 MHz at J4. Above that, (by no more than 8 MHz) FAULT\ should go low. L10 is factory-adjusted and should never need re-adjustment unless U29, D21-23, or R92 or U12 have been replaced.

5.8 Metering and Control

5.8.1 A/D Calibration

If components in the U1 circuitry have been changed, a calibration of the reference voltage must be made. Use a digital voltmeter to monitor the voltage at U1 pin 2, adjust R10 for 1.000 volts.

5.8.2 Exciter Metering Calibration

NOTE

Metering for signals monitored at the transmitter level, vision and sound power forward and reflected are covered at the transmitter level. See section 4 of that manual.

5.8.2.1 Exciter Vision Forward Power

- a. Visual Power Calibrate (RF Wattmeter Method)
 1. Connect the visual RF output to a RF wattmeter and disconnect the I/O cable from the exciter.
 2. Apply a black picture (no set up) to the video input. Proper sync ratio must be maintained for meter calibration by observing demodulated exciter output on a waveform monitor or scope. Determine the proper peak to average ratio for metering. For PAL B systems it is PEAK X 0.568, for System M it is PEAK X 0.595.
 3. Increase visual power such that the correct average power is read on a RF wattmeter. (Adjust VIS LIMIT if required, to obtain 1 watt peak out of the Exciter).
 4. Adjust EXC VIS FWD control R2 for a meter indication of 1000 mW.
 5. Lower the Exciter output to zero, and reconnect the RF output and the I/O cable to the Exciter.
 6. Turn the transmitter on and raise the power to your normal operating power.
 7. If the VIS LIMIT control was moved, it will be necessary to readjust POWER LIMIT.
- b. Alternate Visual Power Calibrate (Spectrum Analyzer Method)
 1. Apply video to the input of the Exciter.
 2. Connect a spectrum analyzer to the output of the exciter with a 10dB pad and disconnect the I/O cable from the back of the Exciter. The 10dB pad will keep you from overloading the input to the analyzer, which is usually rated at 1 watt input.
 3. Increase visual power until you have +20dBm on the spectrum analyzer at the peak of sync. (+20dBm with a 10dB pad is +30dBm which is equal to 1 watt. Adjustment of the "VIS LIMIT" control may be required, to obtain 1 watt out of the Exciter).

Adjust EXC VIS FWD control R2 such that POWER METER reads 1000mW.

1. Lower the Exciter output to zero, and reconnect the RF output and the I/O cable to the Exciter.
2. If the VIS LIMIT control was moved, it will be necessary to readjust POWER LIMIT.

5.8.2.2 Exciter Sound Channel 1 Power Calibrate

1. Connect Sound RF OUT to a RF wattmeter.
2. Temporarily disconnect the NICAM input cable.
3. Adjust SOUND RAISE/LOWER for 1 watt output. Adjustment of the AUR LIMIT control may be needed.
4. Set SOUND 1 POWER calibrate pot R4 for the POWER METER to read 1000.
5. Reconnect the NICAM input cable.

5.8.2.3 Exciter Sound Channel 2 Power Calibrate

1. Refer to the Sound Linearization Pre-corrector and verify the difference between sound 1 and sound 2. If a spectrum analyzer is available, carefully measure the difference in dB between sound 1 and sound 2.
2. Calculate the power of sound 2 and set SOUND 2 POWER calibrate pot R1 to the correct meter reading.
 - a. Refer to transmitter power limit adjustments if power limit controls were changed during these procedures.

5.8.2.4 Signal Level Metering Calibration

5.8.2.4.1 Exciter Video Input Level

There are calibrate pots on the Video Input card and the Metering card.

- a. EXC VIDEO IN LVL
 1. Carefully verify that the input signal has the correct values for video and sync using a calibrated monitor.
 2. Adjust R149 on the video input card for 1 volt output at P1-7 of the video card.
 3. Adjust R98 on the metering board for the correct reading in millivolts on the digital meter.
- b. EXC SYNC IN LVL
 1. Adjust R145 for 0.5 volts at P1-5 of the video input card.
 2. Adjust R97 on the metering board for the correct voltage level.

5.8.2.4.2 Exciter Sound 1 Levels

- a. EXC AUDIO 1 INP LVL
 1. Input to the exciter the level that is considered to result in 100% peak modulation. For instance +8 dBm is equal to 1.95 volts. Adjust R80 on the Sound Channel 1 card for 1.95 volts at J12-5.
 2. Adjust R100 on the metering board for 1950 on the display.
- b. Aural Deviation
 1. Use a precision modulation monitor or Bessel null techniques to modulate the transmitter to 100% deviation. Adjust the MOD LEVEL ADJUST if needed to control the deviation.
 2. Set the digital meter to indicate the exact deviation.
 3. The bargraph display is only calibrated for deviation, adjust R19 at this time for the proper bargraph display.

5.9 Component Replacement On Circuit Boards

The circuit boards used in the VHF TV exciter are double-sided circuit boards with plated through-holes. Soldering on this circuit board is possible with conventional tools if care is observed.

For repair, a de-soldering station is suggested such as an Air-Vac PVSG-60E De-Soldering System made by Air-Vac Engineering Co., Inc., 100 Gulf St, Milford, CT 06460 (203-874-2541). This

de-soldering system utilizes a venturi to develop the suction and therefore requires an air pressure source of approximately 35 PSI. It is relatively inexpensive for such a system and works well. Techniques must be developed using the de-soldering station. Sometimes, it may be necessary to add solder to the connection to assist heat flow to the connection several times until the solder can be removed in steps. Possibly, removing solder from both sides of the circuit board will assist in clearing the through-holes.

The circuit board used in the VHF TV exciter utilizes plated through-holes. Because of these through-holes, solder fills the holes by capillary action. This condition requires that defective components be removed carefully to avoid damage to the circuit board.

On all circuit boards, the adhesive securing the copper track to the circuit board melts at almost the same temperature at which solder melts. A circuit-board track can be destroyed by excessive heat or lateral movement during soldering. Use of a heat source no larger than necessary with steady pressure is required for circuit board repair.

To remove a component from a circuit board such as the type used in the VHF TV exciter, cut the leads from the body of the defective component while the device is still soldered to the circuit board.

Carefully grasp each component lead, one at a time with miniature long-nose pliers. Heat each lead independently. When the solder begins to melt, carefully pull the lead from each hole. The holes may then be cleared of solder with vacuum.

Install the new component and solder the component in place.

WARNING

MOST SOLVENTS WHICH WILL REMOVE ROSIN FLUX ARE VOLATILE AND TOXIC BY THEIR NATURE AND SHOULD BE USED ONLY IN SMALL AMOUNTS IN A WELL-VENTILATED AREA, AWAY FROM FLAME (INCLUDING CIGARETTES) AND A HOT SOLDERING IRON. OBSERVE THE MANUFACTURER'S CAUTIONARY INSTRUCTIONS.

After soldering, remove flux with a cotton swab moistened with a suitable solvent. Rubbing alcohol is highly diluted with water and is not effective. Solvents are available at electronic supply houses which are useful.

The circuit board should be checked to ensure that the flux has been removed from the circuit board and not just smeared about. Rosin flux is not normally corrosive, but rosin can absorb enough moisture in time to become conductive and cause problems.

This page left blank intentionally

6.1 Introduction

Most troubleshooting consists of visual checks. Use all of the indicators and metering. Think of the whole system, is the problem in the exciter, the signals feeding the exciter or the transmitter which requires a different amount of RF drive or non-linearity correction. Once the problem has been isolated refer to Section IV for a detailed explanation of the circuit theory and the diagrams in the drawing package. Confirm that there has been no failure of components before making any adjustments.

Troubleshooting assistance is available from the Harris Customer Service Department by:

Letter to- Harris Corporation Broadcast Division
P.O. Box 4290
Quincy Illinois 62305
Attention Customer Service Department

Fax to- Customer Service
(217) 221-7086

Via Internet tsupport@harris.com

Telephone (217) 222-8200
Off Air Telephone Emergency service is
available 24 hours a day

It is necessary to have the model and serial number of the unit to retrieve certain information. This information is recorded on the product identification tag affixed to the rear door of the exciter cabinet. Before contacting Harris record all observable symptoms, sequence of events, and meter reading.

6.2 Warranty Returns

To return material to Harris under warranty, a return authorization number must be obtained from the Harris Customer Service Department before returning any unit for warranty purposes. The return authorization will assure speedy and accurate handling of your return. A written description including the following information must accompany all returns.

Return Authorization Number.

Customer name, address, contact and contacts phone number.
A description of the problem or reason for the returning the unit.

Ship or return the product, transportation and insurance prepaid to:

Harris Corporation, Broadcast Division
3200 Wismann Lane
Quincy, IL 62301
Attention: Warranty Return

6.3 Factory Repair

Units that are not under warranty may be returned for repair without a Return Authorization.

Contact the repair department by phone or fax to 217-221-7086 for current rates, estimates and scheduling. If a quick repair is needed for an emergency, consult the repair department supervisor by phone.

6.4 Ordering Parts.

There are thousands of parts in a typical transmitter. To assist in the speedy shipment of parts the following information is needed to identify your unit:

Equipment Name
Equipment Part Number
Equipment Serial Number

To identify your part please furnish as much information as possible:

Quantity needed
Harris part number, include all information from parts list
Schematic reference name and schematic number
Assembly part is used in by description and part number
An order form is included in the front of this manual.

This page left blank intentionally

Section VII Parts List

REPLACEABLE PARTS LIST INDEX

Table 7-1.	FORMAT EXCITER TUNED HTEL	994 9540 003	7-2
Table 7-2.	TUNED RFI AURAL GROUP	992 8323 002	7-2
Table 7-3.	PWB AURAL GROUP DELAY	992 8323 001	7-3
Table 7-4.	NOTCH DIP/REC EQ BD	992 8527 001	7-3
Table 7-5.	SYSTEM M SAW FILTER 37MHZ PWA	992 9023 001	7-4
Table 7-6.	VSB/IF AGC BD	992 8324 001	7-5
Table 7-7.	PWB, SYNTHESIZER BD #1	992 8347 001	7-6
Table 7-8.	SYSTEM B SAW FILTER PWA	992 9023 002	7-8
Table 7-9.	VSB/IF AGC 38.9 MHZ	992 8789 001	7-8
Table 7-10.	SYSTEM D/K SAW FILTER PWA	992 9023 003	7-10
Table 7-11.	PWA, VSB/IF AGC CCIR D/K	992 8899 001	7-10
Table 7-12.	SYSTEM K1 SAW FILTER PWA	992 9023 004	7-11
Table 7-13.	PWA, VSB/IF AGC CCIR K1	992 8899 004	7-11
Table 7-14.	PWA, SYS I SAW FILTER 45MHZ	992 9023 005	7-13
Table 7-15.	PWB, VSB IF AGC CCIR I	992 8899 005	7-13
Table 7-16.	PWA SYSTEM M SAW FILTER 45MHZ	992 9023 006	7-14
Table 7-17.	SYNTHESIZER BD#1 45.75MHZ	992 8712 002	7-15
Table 7-18.	PWB, VSB/IF AGC SYS M 45MHZ IF	992 8899 006	7-17
Table 7-19.	KIT, SOUND, SINGLE CARRIER	992 9024 011	7-18
Table 7-20.	PC ASSY FIL BOX	917 2100 510	7-19
Table 7-21.	PC ASSY FIL BOX W/TOROID	917 2100 511	7-19
Table 7-22.	PWA, AURAL CONVERTER WITH	992 9034 002	7-19
Table 7-23.	KIT, SOUND, DUAL CARRIER	992 9024 012	7-22
Table 7-24.	PWB AURAL LINEARIZATION	992 8293 001	7-22
Table 7-25.	CMR FILTER DUAL SOUND	992 8334 002	7-24
Table 7-26.	FILTER BOX ASSY DUAL SND	917 2100 525	7-24
Table 7-27.	FIL BOX/TOROID DUAL SND	917 2100 526	7-24
Table 7-28.	PWA,AURAL CH1 SYNTHESIZER	992 9012 001	7-24
Table 7-29.	PWA, DUAL CARR PWR DETECT	992 9015 001	7-26
Table 7-30.	PWA, AURAL CHANNEL 2 WITH	992 9035 001	7-28
Table 7-31.	KIT, SOUND, NICAM	992 9024 013	7-30
Table 7-32.	KIT, SOUND, DUAL CARRIER	992 9024 014	7-31
Table 7-33.	PWA,AURAL CONV CH1 41.25MHZ IF	992 9012 002	7-31
Table 7-34.	PWA,AURAL CONV CH2 41.025MHZ	992 9035 002	7-33
Table 7-35.	BASIC EXCITER,	992 9026 003	7-36
Table 7-36.	PWB, DIFF PHASE CORR.	992 8325 001	7-37
Table 7-37.	POWER SUPPLY EXT	992 8327 001	7-39
Table 7-38.	PWB, POWER SUPPLY	992 8021 001	7-39
Table 7-39.	MODULE FINAL AMPL	992 8328 001	7-40
Table 7-40.	PWB, FINAL AMP	992 7093 001	7-40
Table 7-41.	PWB, EXTENDER CARD	992 8329 001	7-41
Table 7-42.	PWB, SYNTHESIZER BD #2	992 8348 001	7-41
Table 7-43.	EXC METER/CNTRL, HTEL	992 8946 002	7-43
Table 7-44.	PWB, MOD/DELAY COMP WITH	992 9009 001	7-45
Table 7-45.	PWB, LIN/QUAD CORR. WITH	992 9010 001	7-47
Table 7-46.	PWA, EXCITER MOTHERBOARD	992 9017 001	7-49
Table 7-47.	*PWA, VIDEO BOARD W/VIDEO	992 9564 001	7-49
Table 7-48.	OPTION, LINE FREQ OFFSET	992 9046 001	7-51
Table 7-49.	PWB, SYNTH BD #2 MODS	992 8499 001	7-52
Table 7-50.	PWB, SYNTH CARD 3	992 8913 001	7-54
Table 7-51.	INTERNAL PFC KIT	994 9155 002	7-56

Table 7-1. FORMAT EXCITER TUNED HTEL - 994 9540 003

<i>Harris PN</i>	<i>Description</i>	<i>QTY UM</i>	<i>Reference Designators (G)</i>
988 2451 001	DP, EXCITER S SND,HTEL500/1000	0.0 EA	
988 2452 001	DP, EXCITER D SND,HTEL500/1000	0.0 EA	
988 2458 001	DP EXCITER NICAM	0.0 EA	
992 8323 002	TUNED RFI AURAL GROUP	0.0 EA	#SINGLE SOUND/NOTCH DIPLEXER TRANSMITTER CONFIGURATION, QTY 1 REQ'D
992 8527 001	NOTCH DIP/REC EQ BD	0.0 EA	#NOTCH DIPLEXER TRANSMITTER CONFIGURATION QTY 1 REQ'D
992 9023 001	SYSTEM M SAW FILTER 37MHZ PWA	0.0 EA	*WITH FCC RECEIVER CURVE, QTY 1 REQ'D*
992 9023 002	SYSTEM B SAW FILTER PWA	0.0 EA	*WITH ADJUSTABLE RECEIVER CURVE, QTY 1 REQ'D*
992 9023 003	SYSTEM D/K SAW FILTER PWA	0.0 EA	*WITH ADJUSTABLE RECEIVER CURVE, QTY 1 REQ'D*
992 9023 004	SYSTEM K1 SAW FILTER PWA	0.0 EA	*WITH ADJUSTABLE RECEIVER CURVE, QTY 1 REQ'D*
992 9023 005	PWA, SYS I SAW FILTER 45MHZ	0.0 EA	*WITH ADJUSTABLE RECEIVER CURVE, QTY 1 REQ'D*
992 9023 006	PWA SYSTEM M SAW FILTER 45MHZ	0.0 EA	*WITH ADJUSTABLE RECEIVER CURVE QTY 1 REQ'D*
992 9024 011	KIT, SOUND, SINGLE CARRIER	0.0 EA	*AUR EXCITER SUB-ASSEMBLIES, QTY 1 REQ'D*
992 9024 012	KIT, SOUND, DUAL CARRIER	0.0 EA	*AUR EXCITER SUB-ASSEMBLIES QTY 1 REQ'D*
992 9024 013	KIT, SOUND, NICAM	0.0 EA	*AUR EXCITER SUB-ASSEMBLIES QTY 1 REQ'D*
992 9024 014	KIT, SOUND, DUAL CARRIER	0.0 EA	*AUR EXCITER SUB-ASSEMBLIES QTY 1 REQ'D FOR 45 MHZ IF
992 9024 015	KIT, SOUND, SINGLE CARRIER	0.0 EA	*AUR EXCITER SUB-ASSEMBLIES QTY 1 REQ'D FOR 45 MHZ IF
992 9025 000	CHANNEL SELECTION PSEUDO	0.0 EA	*LAST 3 DIGITS = CHANNEL NUMBERS 002 - 013 US CHANNELS 102 -112 E CHANNELS 200 - 211 A CHANNELS 304 - 310 K1 CHANNELS 401 - 412 R CHANNELS QTY 1 REQ'D*
992 9026 003	BASIC EXCITER,	1.0 EA	
992 9046 001	OPTION, LINE FREQ OFFSET	0.0 EA	*OPTION QTY 1 REQ'D RETURN SYNTHESIZER CARD 2 992-8348-001 TO STOCK*
992 9511 223	KIT EXTERNAL LO EXCITER	0.0 EA	OPTION, QTY 1 REQ'D FOR SINGLE EXCITER OPTION QTY 2 REQ'D FOR DUAL EXCITER
994 9155 002	INTERNAL PFC KIT	0.0 EA	*OPTION QTY 1 REQ'D*
994 9175 002	*EXTERNAL PFC HTEL	0.0 EA	*OPTION QTY 1 REQ'D*

Table 7-2. TUNED RFI AURAL GROUP - 992 8323 002

<i>Harris PN</i>	<i>Description</i>	<i>QTY UM</i>	<i>Reference Designators (B)</i>
545 0121 000	RES 1M OHM 1/4W 5% 1206	0.0 EA	R005 R006 ADD FOR SINGLE CAVITY HIGH BAND DIPLEXER QTY 2
992 8323 001	PWB AURAL GROUP DELAY	1.0 EA	

Table 7-3. PWB AURAL GROUP DELAY - 992 8323 001

<i>Harris PN</i>	<i>Description</i>	<i>QTY UM</i>	<i>Reference Designators (H)</i>
358 1881 000	EJECTOR KIT CARD	1.0 EA	
382 1140 000	PWR DIVIDER, 2 WAY 90 DEG ESD	1.0 EA	HY001
384 0431 000	RECT. 1N4001 ESD	4.0 EA	CR001 CR002 CR004 CR005
384 0720 000	TRANSZORB 1N6377 15V 5W ESD	1.0 EA	CR003
494 0483 000	INDUCTOR 1900NH 5%	2.0 EA	L002 L004
517 0052 000	CAP TRIMMER 0.8-11.0PF	2.0 EA	C001 C002
519 0014 000	CAP RF CHIP 3.3PF 500V	2.0 EA	C003 C004
545 0121 000	RES 1M OHM 1/4W 5% 1206	0.0 EA	R005 R006 ADD FOR HIGH BAND SINGLE CAVITY DIPLEXER QTY 2
548 2400 201	RES 100 OHM 1/2W 1%	1.0 EA	R004
548 2400 273	RES 562 OHM 1/2W 1%	1.0 EA	R001 R002
550 0882 000	POT 100 OHM 1/2W 10%	1.0 EA	R003
578 0021 000	RELAY DPDT 12V	1.0 EA	K001
604 0859 000	SW, TGL DPDT	1.0 EA	S001
610 0900 000	HEADER 3 CKT STRAIGHT	1.0 EA	P001
612 1184 000	SHUNT JUMPER 0.1" CENTERS	1.0 EA	P001
620 0700 000	*RECPT, MALE SMB,PC MOUNT	2.0 EA	J001 J002
822 0900 023	BRKT, CAP MOUNTING	2.0 EA	C001 C002
822 0900 183	COIL, L1-L3	2.0 EA	L001 L003
839 7900 028	COVER	2.0 EA	
839 7900 492	SCHEM, AUR GROUP DELAY	0.0 EA	
843 4999 361	PWB, GROUP DELAY CORR.	1.0 EA	
917 2100 497	CABLE, EXC 3-1/2" W1	1.0 EA	W001
917 2100 502	CABLE EXC 9" W6	1.0 EA	W006
917 2100 503	CABLE EXC 10" W7	1.0 EA	W007
999 2574 002	HARDWARE LIST	1.0 EA	

Table 7-4. NOTCH DIP/REC EQ BD - 992 8527 001

<i>Harris PN</i>	<i>Description</i>	<i>QTY UM</i>	<i>Reference Designators (K)</i>
000 0000 010	B/M NOTE:	0.0 EA	SELECT ON TEST C021 C022 C023
358 1881 000	EJECTOR KIT CARD	1.0 EA	
380 0125 000	XSTR, NPN 2N4401 ESD	3.0 EA	Q001 Q003 Q004
380 0126 000	XSTR, PNP 2N4403 ESD	1.0 EA	Q002
382 1304 000	IC, HA5020 ESD	13.0 EA	U001 U002 U003 U004 U005 U006 U007 U008 U009 U010 U011 U012 U013
384 0431 000	RECT. 1N4001 ESD	1.0 EA	CR004
384 0719 000	TRANSZORB 1N6373 5V 5W ESD	2.0 EA	CR002 CR003
384 0720 000	TRANSZORB 1N6377 15V 5W ESD	1.0 EA	CR001
494 0239 000	CHOKE, WIDE BAND 2.5 TURN	2.0 EA	RFOC1 RFOC2
494 0372 000	CHOKE RF 0.10UH	15.0 EA	L002 L003 L004 L005 L007 L009 L010 L013 L014 L015 L016 L018 L021 L023 L024
494 0404 000	CHOKE RF 33.0UH	4.0 EA	L017 L019 L020 L022
500 0787 000	CAP, MICA, 200PF 500V 5%	1.0 EA	C016
500 0801 000	CAP, MICA, 2PF 500V +/- .5PF	1.0 EA	C079
500 0809 000	CAP, MICA, 22PF 500V 5%	1.0 EA	C014
500 0817 000	CAP, MICA, 47PF 500V 5%	2.0 EA	C003 C013
500 0821 000	CAP, MICA, 68PF 500V 5%	2.0 EA	C024 C074
500 0826 000	CAP, MICA, 120PF 500V 5%	1.0 EA	C001
500 0835 000	CAP, MICA, 470PF 500V 5%	1.0 EA	C010
500 0957 000	CAP, MICA, 7PF 500V +/- .5PF	1.0 EA	C080
516 0453 000	CAP .1UF 100V 20% X7R	3.0 EA	C004 C006 C008

516 0530 000	CAP .01UF 10% 100V X7R	26.0 EA	C026 C028 C030 C032 C034 C036 C038 C040 C042 C044 C046 C048 C050 C052 C054 C056 C058 C060 C062 C064 C066 C068 C070 C072 C075 C076
518 0108 000	CAP, VAR 9-120 PF 100V	10.0 EA	C002 C009 C011 C012 C015 C017 C018 C019 C020 C025
522 0548 000	CAP 10UF 50V 20%	26.0 EA	C027 C029 C031 C033 C035 C037 C039 C041 C043 C045 C047 C049 C051 C053 C055 C057 C059 C061 C063 C065 C067 C069 C071 C073 C077 C078
522 0550 000	CAP 100UF 25V 20%	2.0 EA	C005 C007
548 2400 001	RES 1 OHM 1/2W 1%	4.0 EA	R011 R020 R029 R031
548 2400 185	RES 75 OHM 1/2W 1%	19.0 EA	R001 R005 R006 R007 R023 R026 R038 R041 R052 R054 R055 R068 R069 R074 R075 R083 R084 R093 R101
548 2400 201	RES 100 OHM 1/2W 1%	7.0 EA	R034 R045 R048 R060 R063 R080 R089
548 2400 218	RES 150 OHM 1/2W 1%	8.0 EA	R002 R024 R025 R039 R040 R053 R094 R099
548 2400 242	RES 267 OHM 1/2W 1%	1.0 EA	R096
548 2400 266	RES 475 OHM 1/2W 1%	4.0 EA	R056 R067 R076 R085
548 2400 301	RES 1K OHM 1/2W 1%	23.0 EA	R010 R017 R022 R032 R033 R046 R047 R058 R059 R065 R066 R077 R078 R086 R087 R090 R091 R092 R095 R098 R100 R102 R013
548 2400 305	RES 1.1K OHM 1/2W 1%	1.0 EA	R004
548 2400 330	RES 2K OHM 1/2W 1%	3.0 EA	R003 R062 R104
548 2400 342	RES 2.67K OHM 1/2W 1%	7.0 EA	R012 R027 R037 R042 R044 R049 R051
548 2400 366	RES 4.75K OHM 1/2W 1%	4.0 EA	R019 R071 R072 R081
548 2400 385	RES 7.5K OHM 1/2W 1%	3.0 EA	R013 R030 R035
548 2400 434	RES 22.1K OHM 1/2W 1%	4.0 EA	R009 R015 R016 R018
548 2400 466	RES 47.5K OHM 1/2W 1%	2.0 EA	R008 R014
550 0628 000	POT 10K OHM .5W 10%	1.0 EA	R105
550 0842 000	POT 200 OHM 1/2W 10%	7.0 EA	R021 R028 R036 R043 R064 R079 R088
550 0865 000	POT 1K OHM 1/2W 10%	1.0 EA	R061
550 0901 000	POT 500 OHM 1/2W 10%	6.0 EA	R050 R057 R070 R073 R082 R097
604 0469 000	SW TGL SPDT	1.0 EA	S001
610 0900 000	HEADER 3 CKT STRAIGHT	5.0 EA	JP001 JP002 JP003 JP004 JP005
610 0933 000	JUMPER, PWB TEST POINT	7.0 EA	TP001 TP002 TP003 TP004 TP005 TP006 TP007
612 1184 000	SHUNT JUMPER 0.1" CENTERS	5.0 EA	
620 0700 000	*RECPT, MALE SMB,PC MOUNT	2.0 EA	J002 J003
839 7994 080	SCHEM, NOTCH DIP/REC EQ	0.0 EA	
843 4999 463	PWB, NOTCH DIP/REC EQ BD	1.0 EA	
917 2272 001	INDUCTOR, 20 UHY CT	2.0 EA	L011 L012 SELECT QTY 2 FOR SYS M,B, QTY 2 FOR SYS D,I,K1,L
917 2272 002	INDUCTOR, 38.5 UHY CT	3.0 EA	L001 L006 L008 SELECT QTY 3 FOR SYS M,B SELECT QTY 1 FOR SYS D,I,K1,L
917 2272 003	INDUCTOR, 13 UHY CT	0.0 EA	

Table 7-5. SYSTEM M SAW FILTER 37MHZ PWA - 992 9023 001

<i>Harris PN</i>	<i>Description</i>	<i>QTY UM</i>	<i>Reference Designators (B)</i>
992 8324 001	VSB/IF AGC BD	1.0 EA	
992 8347 001	PWB, SYNTHESIZER BD #1	1.0 EA	

Table 7-6. VSB/IF AGC BD - 992 8324 001

<i>Harris PN</i>	<i>Description</i>	<i>QTY UM</i>	<i>Reference Designators (D)</i>
358 1881 000	EJECTOR KIT CARD	1.0 EA	
380 0114 000	*XSTR, NPN, 2N5109 ESD	5.0 EA	Q003 Q005 Q006 Q101 Q102
380 0152 000	XSTR, D40C5 ESD	1.0 EA	Q004
380 0189 000	XSTR, NPN 2N3904 ESD	2.0 EA	Q001 Q002
382 0428 000	IC, LM358 ESD	1.0 EA	U101
384 0321 000	*DIODE 5082-2800 ESD	1.0 EA	CR011
384 0355 000	DIODE HP5082-3081/A5S139 ESD	1.0 EA	CR101
384 0361 000	DIODE 5082-3077 ESD	6.0 EA	CR001 CR002 CR003 CR004 CR005 CR006
384 0431 000	RECT. 1N4001 ESD	1.0 EA	CR007
384 0720 000	TRANSZORB 1N6377 15V 5W ESD	2.0 EA	CR009 CR010
384 0838 000	TRANSZORB 1N6380 36V 5W ESD	1.0 EA	CR008
404 0198 000	SPACER TO-5, TO-9, TO-11	5.0 EA	XQ003 XQ005 XQ006 XQ101 XQ102
404 0513 000	HEAT SINK PA1-1CB	1.0 EA	Q004
404 0673 000	SOCKET, DIP, 8 PIN (DL)	1.0 EA	XU101
404 0725 000	HEAT SINK TO-5 CASE	3.0 EA	Q003 Q005 Q006
478 0392 000	XFMR, RF MODEL T4-1	3.0 EA	T001 T002 T101
484 0336 000	SAW FILTER ESD	1.0 EA	FL001
494 0239 000	CHOKE, WIDE BAND 2.5 TURN	1.0 EA	L102
494 0398 000	CHOKE RF 10.0UH +/- 10%	2.0 EA	L001 L003
500 0801 000	CAP, MICA, 2PF 500V +/- .5PF	1.0 EA	C026
500 0826 000	CAP, MICA, 120PF 500V 5%	1.0 EA	C107
500 0844 000	CAP, MICA, 1000PF 100V 5%	1.0 EA	C008
516 0059 000	CAP, DISC .0015UF 1KV 10%	18.0 EA	C001 C002 C006 C007 C011 C017 C021 C022 C027 C028 C029 C030 C031 C101 C103 C106 C108 C114
516 0067 000	CAP DISC .003UF 1KV 20%	4.0 EA	C005 C010 C012 C018
516 0074 000	CAP, DISC .005UF 1KV 20%	1.0 EA	C016
516 0375 000	CAP 0.01UF 50V -20/+80% Z5U	6.0 EA	C019 C023 C024 C025 C102 C104
516 0453 000	CAP .1UF 100V 20% X7R	5.0 EA	C003 C004 C013 C014 C112
516 0556 000	CAP .33UF 100V 20%	1.0 EA	C115
522 0548 000	CAP 10UF 50V 20%	3.0 EA	C040 C041 C042
526 0342 000	CAP 2.7UF 35V 10%	3.0 EA	C015 C105 C111
548 2400 042	RES 2.67 OHM 1/2W 1%	1.0 EA	R114
548 2400 085	RES 7.5 OHM 1/2W 1%	2.0 EA	R006 R008
548 2400 109	RES 12.1 OHM 1/2W 1%	1.0 EA	R013
548 2400 118	RES 15 OHM 1/2W 1%	1.0 EA	R112
548 2400 126	RES 18.2 OHM 1/2W 1%	1.0 EA	R031
548 2400 169	RES 51.1 OHM 1/2W 1%	3.0 EA	R001 R021 R023
548 2400 181	RES 68.1 OHM 1/2W 1%	1.0 EA	R032
548 2400 185	RES 75 OHM 1/2W 1%	1.0 EA	R025
548 2400 201	RES 100 OHM 1/2W 1%	3.0 EA	R026 R101 R107
548 2400 234	RES 221 OHM 1/2W 1%	3.0 EA	R022 R024 R110
548 2400 247	RES 301 OHM 1/2W 1%	1.0 EA	R109
548 2400 258	RES 392 OHM 1/2W 1%	2.0 EA	R104 R106
548 2400 266	RES 475 OHM 1/2W 1%	1.0 EA	R105
548 2400 269	RES 511 OHM 1/2W 1%	2.0 EA	R113 R118
548 2400 273	RES 562 OHM 1/2W 1%	1.0 EA	R017
548 2400 285	RES 750 OHM 1/2W 1%	2.0 EA	R002 R018
548 2400 301	RES 1K OHM 1/2W 1%	3.0 EA	R012 R128 R132
548 2400 318	RES 1.5K OHM 1/2W 1%	7.0 EA	R005 R009 R010 R011 R027 R028 R029
548 2400 330	RES 2K OHM 1/2W 1%	2.0 EA	R020 R030
548 2400 401	RES 10K OHM 1/2W 1%	8.0 EA	R003 R004 R015 R016 R102 R103 R108 R115
548 2400 434	RES 22.1K OHM 1/2W 1%	1.0 EA	R019

548 2400 466	RES 47.5K OHM 1/2W 1%	1.0 EA	R120
548 2400 601	RES 1MEG OHM 1/2W 1%	1.0 EA	R127
550 0901 000	POT 500 OHM 1/2W 10%	1.0 EA	R007
550 0942 000	POT 100K OHM 1/2 W 10%	1.0 EA	R116
558 0045 000	HTR, SAW FILTER 5W 24VDC	1.0 EA	HR001
559 0047 000	THERMISTOR 10K OHM	1.0 EA	RT001
604 0469 000	SW TGL SPDT	1.0 EA	S001
610 0679 000	PLUG, SHORTING, .25" CTRS	1.0 EA	P002
610 0900 000	HEADER 3 CKT STRAIGHT	1.0 EA	J101
610 0933 000	JUMPER, PWB TEST POINT	1.0 EA	TP001
612 0775 000	JACK, PC MT, .040 PINS	3.0 EA	E001 E002 E003
612 1184 000	SHUNT JUMPER 0.1" CENTERS	1.0 EA	P101
620 0700 000	*RECPT, MALE SMB,PC MOUNT	3.0 EA	J001 J002 J003
817 2100 362	HEATER BLANKET	2.0 EA	#HR001 ONE ON TOP ONE ON BOTTOM COVER WITH 055-0190-009 TO A MIN OF .12 DEEP
839 7900 491	SCHEM, VSB/IF AGC	0.0 EA	
843 4999 362	PWB, VSB/IF AGC	1.0 EA	
999 2573 002	HARDWARE LIST, VSB IF AGC	1.0 EA	

Table 7-7. PWB, SYNTHESIZER BD #1 - 992 8347 001

<i>Harris PN</i>	<i>Description</i>	<i>QTY UM</i>	<i>Reference Designators (P)</i>
358 1881 000	EJECTOR KIT CARD	1.0 EA	
358 1928 000	JUMPER 1/4 LG 1/8H	11.0 EA	JP001 JP002 JP003 JP004 JP005 JP006 JP007 JP008 JP009 JP010 JP012
380 0116 000	XSTR, 2N3866 ESD	3.0 EA	Q001 Q002 Q003
380 0189 000	XSTR, NPN 2N3904 ESD	3.0 EA	Q004 Q005 Q007
380 0190 000	XSTR, PNP 2N3906 ESD	1.0 EA	Q006
382 0184 000	IC, 340T-5/7805 +5V REG ESD	1.0 EA	U016
382 0521 000	IC, 339 ESD	1.0 EA	U003
382 0605 000	IC 7905C ESD	1.0 EA	U012
382 0690 000	IC 10131 ESD	1.0 EA	U006
382 0692 000	IC 10136 ESD	2.0 EA	U007 U010
382 0749 000	IC NE5532A ESD	1.0 EA	U011
382 0868 000	IC MC145151P2 ESD	1.0 EA	U002
382 1217 000	IC 1036 ESD	1.0 EA	U001
382 1221 000	IC 10216 ESD	4.0 EA	U004 U005 U008 U009
382 1228 000	IC NE 602 ESD	1.0 EA	U014
382 1230 000	IC NE 592 ESD	2.0 EA	U013 U015
384 0205 000	DIODE SILICON 1N914/4148 ESD	9.0 EA	CR003 CR005 CR006 CR007 CR008 CR010 CR011 CR012 CR015
384 0661 000	LED, GRN, T 1-3/4, RT ANG ESD	1.0 EA	DS001
404 0198 000	SPACER TO-5, TO-9, TO-11	3.0 EA	Q001 Q002 Q003
444 2958 000	XTAL 8 MHZ	1.0 EA	Y002
444 2959 000	XTAL 10 MHZ	1.0 EA	Y001
444 2960 000	XTAL 16 MHZ	1.0 EA	Y003
478 0392 000	XFMR, RF MODEL T4-1	1.0 EA	T001
492 0777 000	IND, VAR 2.2UH NOM	1.0 EA	L004
492 0778 000	IND VAR .288UH NOM	1.0 EA	L007
492 0779 000	IND VAR .33UH NOM	3.0 EA	L017 L018 L019
492 0780 000	IND VAR 1.23UH NOM	1.0 EA	L001
494 0379 000	CHOKE RF 0.39UH	1.0 EA	L015
494 0392 000	CHOKE RF 4.70UH	1.0 EA	L016
494 0398 000	CHOKE RF 10.0UH +/- 10%	2.0 EA	L012 L013

494 0399 000	CHOKERF 12.0UH	2.0 EA	L006 L008
494 0402 000	CHOKERF 22.0UH	3.0 EA	L002 L003 L014
494 0403 000	CHOKERF 27.0UH	1.0 EA	L020
494 0465 000	IND, 2.7UH 5%	1.0 EA	L005
494 0468 000	IND 1,200 UH 10%	1.0 EA	L010
494 0469 000	IND 1,500 UH 10%	1.0 EA	L009
494 0470 000	IND 8,200 UH 10%	1.0 EA	L011
500 1253 000	CAP 5PF 100V +/- .5PF	2.0 EA	C134 C140
500 1268 000	CAP 33PF 500V 5%	1.0 EA	C028
500 1271 000	CAP 43PF 100V 5%	2.0 EA	C110 C112
500 1281 000	CAP 100PF 300V 5%	2.0 EA	C019 C107
500 1285 000	CAP 150PF 500V 5%	1.0 EA	C020
500 1287 000	CAP 180PF 500V 5%	1.0 EA	C026
500 1289 000	CAP 220PF 300V 5%	1.0 EA	C014
500 1292 000	CAP 300PF 300V 5%	1.0 EA	C126
506 0230 000	CAP .001UF 100VAC 5%	3.0 EA	C113 C114 C122
506 0234 000	CAP .0022UF 100V 5%	1.0 EA	C124
506 0236 000	CAP .0047UF 100/63V 5%	1.0 EA	C121
506 0239 000	CAP .022UF 100V 5%	2.0 EA	C116 C117
506 0254 000	CAP .0082UF 100V 5%	1.0 EA	C123
506 0263 000	CAP .0039UF 100V 5%	1.0 EA	C125
516 0417 000	CAP 1000PF 10% 200V	3.0 EA	C013 C103 C132
516 0530 000	CAP .01UF 10% 100V X7R	3.0 EA	C034 C039 C040
516 0767 000	CAP 15PF 5% 100V C0G	1.0 EA	C033
516 0768 000	CAP 18PF 5% 100V C0G	2.0 EA	C133 C136
516 0769 000	CAP 22PF 5% 100V C0G	1.0 EA	C137
516 0770 000	CAP 27PF 5% 100V C0G	2.0 EA	C135 C138
516 0773 000	CAP 47PF 5% 100V C0G	1.0 EA	C139
516 0782 000	CAP 270PF 5% 100V C0G	1.0 EA	C035
516 0831 000	CAP 0.010UF 10% 100V	17.0 EA	C003 C005 C007 C012 C015 C016 C036 C052 C053 C054 C055 C104 C105 C108 C109 C111 C130
516 0891 000	CAP 0.100UF 10% 50V	25.0 EA	C001 C004 C006 C008 C009 C010 C011 C017 C018 C021 C022 C023 C024 C025 C027 C029 C030 C031 C032 C045 C101 C115 C120 C128 C129
516 0906 000	CAP 33PF 10% 200V	2.0 EA	C118 C119
516 0907 000	CAP 0.330UF 10% 50V	3.0 EA	C050 C051 C102
516 0910 000	CAP 820PF 10% 200V	1.0 EA	C106
518 0057 000	CAP, VAR 9-35PF	1.0 EA	C038
526 0050 000	CAP 1UF 35V 20%	5.0 EA	C048 C049 C100 C127 C131
526 0311 000	CAP 2.2UF 35V 10%	1.0 EA	C002
526 0358 000	CAP 22UF 35V 10%	1.0 EA	C037
528 0037 000	DIODE, VARACTOR BB505	3.0 EA	CR004 CR013 CR014
548 2400 142	RES 26.7 OHM 1/2W 1%	4.0 EA	R050 R061 R133 R134
548 2400 151	RES 33.2 OHM 1/2W 1%	2.0 EA	R039 R063
548 2400 166	RES 47.5 OHM 1/2W 1%	5.0 EA	R043 R047 R051 R068 R138
548 2400 169	RES 51.1 OHM 1/2W 1%	1.0 EA	R035
548 2400 173	RES 56.2 OHM 1/2W 1%	1.0 EA	R017
548 2400 189	RES 82.5 OHM 1/2W 1%	5.0 EA	R023 R024 R025 R034 R062
548 2400 201	RES 100 OHM 1/2W 1%	3.0 EA	R002 R030 R031
548 2400 209	RES 121 OHM 1/2W 1%	1.0 EA	R108
548 2400 230	RES 200 OHM 1/2W 1%	2.0 EA	R139 R140
548 2400 234	RES 221 OHM 1/2W 1%	4.0 EA	R131 R132 R136 R137
548 2400 247	RES 301 OHM 1/2W 1%	1.0 EA	R126

548 2400 251	RES 332 OHM 1/2W 1%	1.0 EA	R054
548 2400 266	RES 475 OHM 1/2W 1%	8.0 EA	R019 R036 R105 R106 R109 R120 R121 R129
548 2400 268	RES 499 OHM 1/2W 1%	2.0 EA	R115 R116
548 2400 273	RES 562 OHM 1/2W 1%	2.0 EA	R032 R033
548 2400 281	RES 681 OHM 1/2W 1%	15.0 EA	R015 R037 R038 R042 R044 R048 R049 R052 R056 R058 R059 R060 R064 R065 R066
548 2400 289	RES 825 OHM 1/2W 1%	1.0 EA	R055
548 2400 301	RES 1K OHM 1/2W 1%	5.0 EA	R018 R045 R046 R057 R130
548 2400 309	RES 1.21K OHM 1/2W 1%	1.0 EA	R128
548 2400 318	RES 1.5K OHM 1/2W 1%	1.0 EA	R027
548 2400 326	RES 1.82K OHM 1/2W 1%	1.0 EA	R107
548 2400 330	RES 2K OHM 1/2W 1%	5.0 EA	R003 R004 R112 R113 R119
548 2400 334	RES 2.21K OHM 1/2W 1%	1.0 EA	R022
548 2400 342	RES 2.67K OHM 1/2W 1%	1.0 EA	R118
548 2400 351	RES 3.32K OHM 1/2W 1%	2.0 EA	R021 R026
548 2400 366	RES 4.75K OHM 1/2W 1%	3.0 EA	R029 R111 R114
548 2400 381	RES 6.81K OHM 1/2W 1%	1.0 EA	R020
548 2400 401	RES 10K OHM 1/2W 1%	7.0 EA	R008 R009 R010 R014 R028 R123 R124
548 2400 418	RES 15K OHM 1/2W 1%	2.0 EA	R005 R127
548 2400 426	RES 18.2K OHM 1/2W 1%	4.0 EA	R053 R067 R102 R125
548 2400 430	RES 20K OHM 1/2W 1%	1.0 EA	R122
548 2400 466	RES 47.5K OHM 1/2W 1%	1.0 EA	R117
548 2400 468	RES 49.9K OHM 1/2W 1%	1.0 EA	R006
548 2400 481	RES 68.1K OHM 1/2W 1%	1.0 EA	R016
548 2400 501	RES 100K OHM 1/2W 1%	1.0 EA	R013
550 1074 000	POT 20K OHM .75W 10%	1.0 EA	R001
620 0700 000	*RECPT, MALE SMB,PC MOUNT	6.0 EA	J001 J002 J003 J004 J005 J006
700 1271 000	OCXO 10 MHZ	1.0 EA	Y004
817 2199 001	SPEC, TEST PROCEDURE	0.0 EA	
839 7900 528	SCHEM, FREQ SYNTH CARD #1	0.0 EA	
843 4999 375	PWB, SYNTHESIZER BD #1	1.0 EA	
939 7900 540	SHIELD PC BOARD	1.0 EA	
999 2664 001	HARDWARE LIST	1.0 EA	

Table 7-8. SYSTEM B SAW FILTER PWA - 992 9023 002

<i>Harris PN</i>	<i>Description</i>	<i>QTY UM</i>	<i>Reference Designators (B)</i>
992 8347 001	PWB, SYNTHESIZER BD #1	1.0 EA	
992 8527 001	NOTCH DIP/REC EQ BD	1.0 EA	
992 8789 001	VSB/IF AGC 38.9 MHZ	1.0 EA	

Table 7-9. VSB/IF AGC 38.9 MHZ - 992 8789 001

<i>Harris PN</i>	<i>Description</i>	<i>QTY UM</i>	<i>Reference Designators (C)</i>
358 1881 000	EJECTOR KIT CARD	1.0 EA	
380 0114 000	*XSTR, NPN, 2N5109 ESD	4.0 EA	Q005 Q006 Q101 Q102
380 0152 000	XSTR, D40C5 ESD	1.0 EA	Q004
380 0189 000	XSTR, NPN 2N3904 ESD	2.0 EA	Q001 Q002
382 0428 000	IC, LM358 ESD	1.0 EA	U101
382 1231 000	IC MWA-130 ESD	1.0 EA	U001
384 0321 000	*DIODE 5082-2800 ESD	1.0 EA	CR011
384 0355 000	DIODE HP5082-3081/A5S139 ESD	1.0 EA	CR101
384 0361 000	DIODE 5082-3077 ESD	6.0 EA	CR001 CR002 CR003 CR004 CR005 CR006
384 0431 000	RECT. 1N4001 ESD	1.0 EA	CR007

384 0720 000	TRANSZORB 1N6377 15V 5W ESD	2.0 EA	CR009 CR010
384 0838 000	TRANSZORB 1N6380 36V 5W ESD	1.0 EA	CR008
404 0198 000	SPACER TO-5, TO-9, TO-11	5.0 EA	U001 XQ005 XQ006 XQ101 XQ102
404 0513 000	HEAT SINK PA1-1CB	1.0 EA	Q004
404 0673 000	SOCKET, DIP, 8 PIN (DL)	1.0 EA	XU101
404 0725 000	HEAT SINK TO-5 CASE	3.0 EA	U001 Q005 Q006
478 0392 000	XFMR, RF MODEL T4-1	2.0 EA	T002 T101
484 0411 000	FILTER VSB, CCIR	1.0 EA	FL001
494 0239 000	CHOKE, WIDE BAND 2.5 TURN	1.0 EA	L102
494 0386 000	CHOKE RF 1.50UH	1.0 EA	L004
494 0398 000	CHOKE RF 10.0UH +/- 10%	3.0 EA	L001 L003 L005
500 0826 000	CAP, MICA, 120PF 500V 5%	1.0 EA	C107
516 0059 000	CAP, DISC .0015UF 1KV 10%	17.0 EA	C001 C002 C006 C007 C017 C021 C022 C027 C028 C029 C030 C031 C101 C103 C106 C108 C114
516 0067 000	CAP DISC .003UF 1KV 20%	2.0 EA	C005 C018
516 0074 000	CAP, DISC .005UF 1KV 20%	1.0 EA	C016
516 0375 000	CAP 0.01UF 50V -20/+80% Z5U	6.0 EA	C019 C023 C024 C025 C102 C104
516 0453 000	CAP .1UF 100V 20% X7R	5.0 EA	C003 C004 C013 C014 C112
516 0530 000	CAP .01UF 10% 100V X7R	4.0 EA	C012 C015 C026 C043
516 0556 000	CAP .33UF 100V 20%	1.0 EA	C115
516 0768 000	CAP 18PF 5% 100V C0G	1.0 EA	C011
516 0769 000	CAP 22PF 5% 100V C0G	1.0 EA	C010
520 0448 000	CAP, VAR .8-14PF	1.0 EA	C044
522 0548 000	CAP 10UF 50V 20%	3.0 EA	C040 C041 C042
526 0342 000	CAP 2.7UF 35V 10%	2.0 EA	C105 C111
540 0306 000	*RES 82 OHM 1W 10%	2.0 EA	R012 R013
548 2400 042	RES 2.67 OHM 1/2W 1%	1.0 EA	R114
548 2400 085	RES 7.5 OHM 1/2W 1%	2.0 EA	R006 R008
548 2400 118	RES 15 OHM 1/2W 1%	1.0 EA	R112
548 2400 126	RES 18.2 OHM 1/2W 1%	2.0 EA	R016 R031
548 2400 162	RES 43.2 OHM 1/2W 1%	1.0 EA	R023
548 2400 169	RES 51.1 OHM 1/2W 1%	2.0 EA	R001 R021
548 2400 181	RES 68.1 OHM 1/2W 1%	1.0 EA	R032
548 2400 185	RES 75 OHM 1/2W 1%	1.0 EA	R025
548 2400 201	RES 100 OHM 1/2W 1%	3.0 EA	R026 R101 R107
548 2400 234	RES 221 OHM 1/2W 1%	3.0 EA	R022 R024 R110
548 2400 247	RES 301 OHM 1/2W 1%	3.0 EA	R015 R017 R109
548 2400 258	RES 392 OHM 1/2W 1%	2.0 EA	R104 R106
548 2400 266	RES 475 OHM 1/2W 1%	1.0 EA	R105
548 2400 269	RES 511 OHM 1/2W 1%	2.0 EA	R113 R118
548 2400 285	RES 750 OHM 1/2W 1%	1.0 EA	R002
548 2400 301	RES 1K OHM 1/2W 1%	2.0 EA	R128 R132
548 2400 318	RES 1.5K OHM 1/2W 1%	7.0 EA	R005 R009 R010 R011 R027 R028 R029
548 2400 330	RES 2K OHM 1/2W 1%	2.0 EA	R020 R030
548 2400 401	RES 10K OHM 1/2W 1%	6.0 EA	R003 R004 R102 R103 R108 R115
548 2400 434	RES 22.1K OHM 1/2W 1%	1.0 EA	R019
548 2400 466	RES 47.5K OHM 1/2W 1%	1.0 EA	R120
548 2400 601	RES 1MEG OHM 1/2W 1%	1.0 EA	R127
550 0901 000	POT 500 OHM 1/2W 10%	2.0 EA	R007 R018
550 0942 000	POT 100K OHM 1/2 W 10%	1.0 EA	R116
558 0045 000	HTR, SAW FILTER 5W 24VDC	1.0 EA	HR001
559 0047 000	THERMISTOR 10K OHM	1.0 EA	RT001
604 0469 000	SW TGL SPDT	1.0 EA	S001
610 0679 000	PLUG, SHORTING, .25" CTRS	1.0 EA	JP002

610 0900 000	HEADER 3 CKT STRAIGHT	1.0 EA	JP101
610 0933 000	JUMPER, PWB TEST POINT	1.0 EA	TP001
612 0775 000	JACK, PC MT, .040 PINS	3.0 EA	E001 E002 E003
612 1184 000	SHUNT JUMPER 0.1" CENTERS	1.0 EA	JP101
620 0700 000	*RECPT, MALE SMB,PC MOUNT	3.0 EA	J001 J002 J003
839 7900 663	SCHEM, VSB/IF AGC 38.9MHZ	0.0 EA	
843 4999 550	PWB, VSB/IF AGC 38.9 MHZ	1.0 EA	
999 2573 002	HARDWARE LIST, VSB IF AGC	1.0 EA	

Table 7-10. SYSTEM D/K SAW FILTER PWA - 992 9023 003

<i>Harris PN</i>	<i>Description</i>	<i>QTY UM</i>	<i>Reference Designators (B)</i>
992 8347 001	PWB, SYNTHESIZER BD #1	1.0 EA	
992 8527 001	NOTCH DIP/REC EQ BD	1.0 EA	
992 8899 001	PWA, VSB/IF AGC CCIR D/K	1.0 EA	

Table 7-11. PWA, VSB/IF AGC CCIR D/K - 992 8899 001

<i>Harris PN</i>	<i>Description</i>	<i>QTY UM</i>	<i>Reference Designators (E)</i>
358 1881 000	EJECTOR KIT CARD	1.0 EA	
380 0114 000	*XSTR, NPN, 2N5109 ESD	4.0 EA	Q005 Q006 Q101 Q102
380 0152 000	XSTR, D40C5 ESD	1.0 EA	Q004
380 0189 000	XSTR, NPN 2N3904 ESD	2.0 EA	Q001 Q002
382 0428 000	IC, LM358 ESD	1.0 EA	U101
382 1231 000	IC MWA-130 ESD	1.0 EA	U001
384 0321 000	*DIODE 5082-2800 ESD	1.0 EA	CR011
384 0355 000	DIODE HP5082-3081/A5S139 ESD	1.0 EA	CR101
384 0361 000	DIODE 5082-3077 ESD	6.0 EA	CR001 CR002 CR003 CR004 CR005 CR006
384 0431 000	RECT. 1N4001 ESD	1.0 EA	CR007
384 0720 000	TRANSZORB 1N6377 15V 5W ESD	2.0 EA	CR009 CR010
384 0838 000	TRANSZORB 1N6380 36V 5W ESD	1.0 EA	CR008
404 0198 000	SPACER TO-5, TO-9, TO-11	5.0 EA	U001 XQ005 XQ006 XQ101 XQ102
404 0513 000	HEAT SINK PA1-1CB	1.0 EA	Q004
404 0673 000	SOCKET, DIP, 8 PIN (DL)	1.0 EA	XU101
404 0725 000	HEAT SINK TO-5 CASE	3.0 EA	U001 Q005 Q006
478 0392 000	XFMR, RF MODEL T4-1	2.0 EA	T002 T101
484 0422 000	SAW FILTER SYS D/K	1.0 EA	FL001
494 0239 000	CHOKE, WIDE BAND 2.5 TURN	1.0 EA	L102
494 0386 000	CHOKE RF 1.50UH	1.0 EA	L004
494 0398 000	CHOKE RF 10.0UH +/- 10%	3.0 EA	L001 L003 L005
500 0826 000	CAP, MICA, 120PF 500V 5%	1.0 EA	C107
516 0059 000	CAP, DISC .0015UF 1KV 10%	17.0 EA	C001 C002 C006 C007 C017 C021 C022 C027 C028 C029 C030 C031 C101 C103 C106 C108 C114
516 0067 000	CAP DISC .003UF 1KV 20%	2.0 EA	C005 C018
516 0074 000	CAP, DISC .005UF 1KV 20%	1.0 EA	C016
516 0375 000	CAP 0.01UF 50V -20/+80% Z5U	6.0 EA	C019 C023 C024 C025 C102 C104
516 0453 000	CAP .1UF 100V 20% X7R	5.0 EA	C003 C004 C013 C014 C112
516 0530 000	CAP .01UF 10% 100V X7R	4.0 EA	C012 C015 C026 C043
516 0556 000	CAP .33UF 100V 20%	1.0 EA	C115
516 0768 000	CAP 18PF 5% 100V C0G	1.0 EA	C011
516 0769 000	CAP 22PF 5% 100V C0G	1.0 EA	C010
520 0448 000	CAP, VAR .8-14PF	1.0 EA	C044
522 0548 000	CAP 10UF 50V 20%	3.0 EA	C040 C041 C042

526 0342 000	CAP 2.7UF 35V 10%	2.0 EA	C105 C111
540 0306 000	*RES 82 OHM 1W 10%	2.0 EA	R012 R013
548 2400 042	RES 2.67 OHM 1/2W 1%	1.0 EA	R114
548 2400 085	RES 7.5 OHM 1/2W 1%	2.0 EA	R006 R008
548 2400 118	RES 15 OHM 1/2W 1%	1.0 EA	R112
548 2400 126	RES 18.2 OHM 1/2W 1%	2.0 EA	R016 R031
548 2400 162	RES 43.2 OHM 1/2W 1%	1.0 EA	R023
548 2400 169	RES 51.1 OHM 1/2W 1%	2.0 EA	R001 R021
548 2400 181	RES 68.1 OHM 1/2W 1%	1.0 EA	R032
548 2400 185	RES 75 OHM 1/2W 1%	1.0 EA	R025
548 2400 201	RES 100 OHM 1/2W 1%	3.0 EA	R026 R101 R107
548 2400 234	RES 221 OHM 1/2W 1%	3.0 EA	R022 R024 R110
548 2400 247	RES 301 OHM 1/2W 1%	3.0 EA	R015 R017 R109
548 2400 258	RES 392 OHM 1/2W 1%	2.0 EA	R104 R106
548 2400 266	RES 475 OHM 1/2W 1%	1.0 EA	R105
548 2400 269	RES 511 OHM 1/2W 1%	2.0 EA	R113 R118
548 2400 285	RES 750 OHM 1/2W 1%	1.0 EA	R002
548 2400 301	RES 1K OHM 1/2W 1%	2.0 EA	R128 R132
548 2400 318	RES 1.5K OHM 1/2W 1%	7.0 EA	R005 R009 R010 R011 R027 R028 R029
548 2400 330	RES 2K OHM 1/2W 1%	2.0 EA	R020 R030
548 2400 401	RES 10K OHM 1/2W 1%	6.0 EA	R003 R004 R102 R103 R108 R115
548 2400 434	RES 22.1K OHM 1/2W 1%	1.0 EA	R019
548 2400 466	RES 47.5K OHM 1/2W 1%	1.0 EA	R120
548 2400 601	RES 1MEG OHM 1/2W 1%	1.0 EA	R127
550 0901 000	POT 500 OHM 1/2W 10%	2.0 EA	R007 R018
550 0942 000	POT 100K OHM 1/2 W 10%	1.0 EA	R116
558 0036 000	HEATER, SAW FILTER	1.0 EA	HR001
559 0047 000	THERMISTOR 10K OHM	1.0 EA	RT001
604 0469 000	SW TGL SPDT	1.0 EA	S001
610 0679 000	PLUG, SHORTING, .25" CTRS	1.0 EA	JP002
610 0900 000	HEADER 3 CKT STRAIGHT	1.0 EA	JP101
610 0933 000	JUMPER, PWB TEST POINT	1.0 EA	TP001
612 0775 000	JACK, PC MT, .040 PINS	3.0 EA	E001 E002 E003
612 1184 000	SHUNT JUMPER 0.1" CENTERS	1.0 EA	JP101
620 0700 000	*RECPT, MALE SMB,PC MOUNT	3.0 EA	J001 J002 J003
839 7900 682	SCHEM, VSB/1F AGC, CCIR D/K/K1	0.0 EA	
843 4999 603	PWB, VSB/1F AGC, CCIR D	1.0 EA	
917 2501 002	HEATER BLANKET	2.0 EA	
999 2573 002	HARDWARE LIST, VSB IF AGC	1.0 EA	

Table 7-12. SYSTEM K1 SAW FILTER PWA - 992 9023 004

<i>Harris PN</i>	<i>Description</i>	<i>QTY UM</i>	<i>Reference Designators (B)</i>
992 8347 001	PWB, SYNTHESIZER BD #1	1.0 EA	
992 8527 001	NOTCH DIP/REC EQ BD	1.0 EA	
992 8899 004	PWA, VSB/IF AGC CCIR K1	1.0 EA	

Table 7-13. PWA, VSB/IF AGC CCIR K1 - 992 8899 004

<i>Harris PN</i>	<i>Description</i>	<i>QTY UM</i>	<i>Reference Designators (A)</i>
358 1881 000	EJECTOR KIT CARD	1.0 EA	
380 0114 000	*XSTR, NPN, 2N5109 ESD	4.0 EA	Q005 Q006 Q101 Q102
380 0152 000	XSTR, D40C5 ESD	1.0 EA	Q004
380 0189 000	XSTR, NPN 2N3904 ESD	2.0 EA	Q001 Q002

382 0428 000	IC, LM358 ESD	1.0 EA	U101
382 1231 000	IC MWA-130 ESD	1.0 EA	U001
384 0321 000	*DIODE 5082-2800 ESD	1.0 EA	CR011
384 0355 000	DIODE HP5082-3081/A5S139 ESD	1.0 EA	CR101
384 0361 000	DIODE 5082-3077 ESD	6.0 EA	CR001 CR002 CR003 CR004 CR005 CR006
384 0431 000	RECT. 1N4001 ESD	1.0 EA	CR007
384 0720 000	TRANSZORB 1N6377 15V 5W ESD	2.0 EA	CR009 CR010
384 0838 000	TRANSZORB 1N6380 36V 5W ESD	1.0 EA	CR008
404 0198 000	SPACER TO-5, TO-9, TO-11	5.0 EA	U001 XQ005 XQ006 XQ101 XQ102
404 0513 000	HEAT SINK PA1-1CB	1.0 EA	Q004
404 0673 000	SOCKET, DIP, 8 PIN (DL)	1.0 EA	XU101
404 0725 000	HEAT SINK TO-5 CASE	3.0 EA	U001 Q005 Q006
478 0392 000	XFMR, RF MODEL T4-1	2.0 EA	T002 T101
484 0475 000	SAW FILTER CCIR SYSTEM K1	1.0 EA	
494 0239 000	CHOKER, WIDE BAND 2.5 TURN	1.0 EA	L102
494 0386 000	CHOKER RF 1.50UH	1.0 EA	L004
494 0398 000	CHOKER RF 10.0UH +/- 10%	3.0 EA	L001 L003 L005
500 0826 000	CAP, MICA, 120PF 500V 5%	1.0 EA	C107
516 0059 000	CAP, DISC .0015UF 1KV 10%	17.0 EA	C001 C002 C006 C007 C017 C021 C022 C027 C028 C029 C030 C031 C101 C103 C106 C108 C114
516 0067 000	CAP DISC .003UF 1KV 20%	2.0 EA	C005 C018
516 0074 000	CAP, DISC .005UF 1KV 20%	1.0 EA	C016
516 0375 000	CAP 0.01UF 50V -20/+80% Z5U	6.0 EA	C019 C023 C024 C025 C102 C104
516 0453 000	CAP .1UF 100V 20% X7R	5.0 EA	C003 C004 C013 C014 C112
516 0530 000	CAP .01UF 10% 100V X7R	4.0 EA	C012 C015 C026 C043
516 0556 000	CAP .33UF 100V 20%	1.0 EA	C115
516 0768 000	CAP 18PF 5% 100V C0G	1.0 EA	C011
516 0769 000	CAP 22PF 5% 100V C0G	1.0 EA	C010
520 0448 000	CAP, VAR .8-14PF	1.0 EA	C044
522 0548 000	CAP 10UF 50V 20%	3.0 EA	C040 C041 C042
526 0342 000	CAP 2.7UF 35V 10%	2.0 EA	C105 C111
540 0306 000	*RES 82 OHM 1W 10%	2.0 EA	R012 R013
548 2400 042	RES 2.67 OHM 1/2W 1%	1.0 EA	R114
548 2400 085	RES 7.5 OHM 1/2W 1%	2.0 EA	R006 R008
548 2400 118	RES 15 OHM 1/2W 1%	1.0 EA	R112
548 2400 126	RES 18.2 OHM 1/2W 1%	2.0 EA	R016 R031
548 2400 162	RES 43.2 OHM 1/2W 1%	1.0 EA	R023
548 2400 169	RES 51.1 OHM 1/2W 1%	2.0 EA	R001 R021
548 2400 181	RES 68.1 OHM 1/2W 1%	1.0 EA	R032
548 2400 185	RES 75 OHM 1/2W 1%	1.0 EA	R025
548 2400 201	RES 100 OHM 1/2W 1%	3.0 EA	R026 R101 R107
548 2400 234	RES 221 OHM 1/2W 1%	3.0 EA	R022 R024 R110
548 2400 247	RES 301 OHM 1/2W 1%	3.0 EA	R015 R017 R109
548 2400 258	RES 392 OHM 1/2W 1%	2.0 EA	R104 R106
548 2400 266	RES 475 OHM 1/2W 1%	1.0 EA	R105
548 2400 269	RES 511 OHM 1/2W 1%	2.0 EA	R113 R118
548 2400 285	RES 750 OHM 1/2W 1%	1.0 EA	R002
548 2400 301	RES 1K OHM 1/2W 1%	2.0 EA	R128 R132
548 2400 318	RES 1.5K OHM 1/2W 1%	7.0 EA	R005 R009 R010 R011 R027 R028 R029
548 2400 330	RES 2K OHM 1/2W 1%	2.0 EA	R020 R030
548 2400 401	RES 10K OHM 1/2W 1%	6.0 EA	R003 R004 R102 R103 R108 R115
548 2400 434	RES 22.1K OHM 1/2W 1%	1.0 EA	R019
548 2400 466	RES 47.5K OHM 1/2W 1%	1.0 EA	R120
548 2400 601	RES 1MEG OHM 1/2W 1%	1.0 EA	R127

550 0901 000	POT 500 OHM 1/2W 10%	2.0 EA	R007 R018
550 0942 000	POT 100K OHM 1/2 W 10%	1.0 EA	R116
558 0036 000	HEATER, SAW FILTER	1.0 EA	HR001
559 0047 000	THERMISTOR 10K OHM	1.0 EA	RT001
604 0469 000	SW TGL SPDT	1.0 EA	S001
610 0679 000	PLUG, SHORTING, .25" CTRS	1.0 EA	JP002
610 0900 000	HEADER 3 CKT STRAIGHT	1.0 EA	JP101
610 0933 000	JUMPER, PWB TEST POINT	1.0 EA	TP001
612 0775 000	JACK, PC MT, .040 PINS	3.0 EA	E001 E002 E003
612 1184 000	SHUNT JUMPER 0.1" CENTERS	1.0 EA	JP101
620 0700 000	*RECPT, MALE SMB,PC MOUNT	3.0 EA	J001 J002 J003
839 7900 682	SCHEM, VSB/1F AGC, CCIR D/K/K1	0.0 EA	
843 4999 603	PWB, VSB/1F AGC, CCIR D	1.0 EA	
917 2501 002	HEATER BLANKET	2.0 EA	
999 2573 002	HARDWARE LIST, VSB IF AGC	1.0 EA	

Table 7-14. PWA, SYS I SAW FILTER 45MHZ - 992 9023 005

<i>Harris PN</i>	<i>Description</i>	<i>QTY UM</i>	<i>Reference Designators (D)</i>
992 8347 001	PWB, SYNTHESIZER BD #1	1.0 EA	
992 8527 001	NOTCH DIP/REC EQ BD	1.0 EA	
992 8899 005	PWB, VSB IF AGC CCIR I	1.0 EA	

Table 7-15. PWB, VSB IF AGC CCIR I - 992 8899 005

<i>Harris PN</i>	<i>Description</i>	<i>QTY UM</i>	<i>Reference Designators (A)</i>
358 1881 000	EJECTOR KIT CARD	1.0 EA	
380 0114 000	*XSTR, NPN, 2N5109 ESD	4.0 EA	Q005 Q006 Q101 Q102
380 0152 000	XSTR, D40C5 ESD	1.0 EA	Q004
380 0189 000	XSTR, NPN 2N3904 ESD	2.0 EA	Q001 Q002
382 0428 000	IC, LM358 ESD	1.0 EA	U101
382 1231 000	IC MWA-130 ESD	1.0 EA	U001
384 0321 000	*DIODE 5082-2800 ESD	1.0 EA	CR011
384 0355 000	DIODE HP5082-3081/A5S139 ESD	1.0 EA	CR101
384 0361 000	DIODE 5082-3077 ESD	6.0 EA	CR001 CR002 CR003 CR004 CR005 CR006
384 0431 000	RECT. 1N4001 ESD	1.0 EA	CR007
384 0720 000	TRANSZORB 1N6377 15V 5W ESD	2.0 EA	CR009 CR010
384 0838 000	TRANSZORB 1N6380 36V 5W ESD	1.0 EA	CR008
404 0198 000	SPACER TO-5, TO-9, TO-11	5.0 EA	U001 XQ005 XQ006 XQ101 XQ102
404 0513 000	HEAT SINK PA1-1CB	1.0 EA	Q004
404 0673 000	SOCKET, DIP, 8 PIN (DL)	1.0 EA	XU101
404 0725 000	HEAT SINK TO-5 CASE	3.0 EA	Q005 Q006 U001
478 0392 000	XFMR, RF MODEL T4-1	2.0 EA	T002 T101
484 0492 000	SAW FILTER CCIR SYSTEM I	1.0 EA	FL1
494 0239 000	CHOKE, WIDE BAND 2.5 TURN	1.0 EA	L102
494 0386 000	CHOKE RF 1.50UH	1.0 EA	L004
494 0398 000	CHOKE RF 10.0UH +/- 10%	3.0 EA	L001 L003 L005
500 0826 000	CAP, MICA, 120PF 500V 5%	1.0 EA	C107
516 0059 000	CAP, DISC .0015UF 1KV 10%	17.0 EA	C001 C002 C006 C007 C017 C021 C022 C027 C028 C029 C030 C031 C101 C103 C106 C108 C114
516 0067 000	CAP DISC .003UF 1KV 20%	2.0 EA	C005 C018
516 0074 000	CAP, DISC .005UF 1KV 20%	1.0 EA	C016
516 0375 000	CAP 0.01UF 50V -20/+80% Z5U	6.0 EA	C019 C023 C024 C025 C102 C104

516 0453 000	CAP .1UF 100V 20% X7R	5.0 EA	C003 C004 C013 C014 C112
516 0530 000	CAP .01UF 10% 100V X7R	4.0 EA	C012 C015 C026 C043
516 0556 000	CAP .33UF 100V 20%	1.0 EA	C115
516 0768 000	CAP 18PF 5% 100V C0G	0.0 EA	SELECT ON TEST C011
516 0769 000	CAP 22PF 5% 100V C0G	0.0 EA	SELECT ON TEST C010
520 0448 000	CAP, VAR .8-14PF	1.0 EA	C044
522 0548 000	CAP 10UF 50V 20%	3.0 EA	C040 C041 C042
526 0342 000	CAP 2.7UF 35V 10%	2.0 EA	C105 C111
540 0306 000	*RES 82 OHM 1W 10%	2.0 EA	R012 R013
548 2400 042	RES 2.67 OHM 1/2W 1%	1.0 EA	R114
548 2400 073	RES 5.62 OHM 1/2W 1%	1.0 EA	R016
548 2400 085	RES 7.5 OHM 1/2W 1%	2.0 EA	R006 R008
548 2400 118	RES 15 OHM 1/2W 1%	1.0 EA	R112
548 2400 126	RES 18.2 OHM 1/2W 1%	1.0 EA	R031
548 2400 162	RES 43.2 OHM 1/2W 1%	1.0 EA	R023
548 2400 169	RES 51.1 OHM 1/2W 1%	2.0 EA	R001 R021
548 2400 181	RES 68.1 OHM 1/2W 1%	1.0 EA	R032
548 2400 185	RES 75 OHM 1/2W 1%	1.0 EA	R025
548 2400 201	RES 100 OHM 1/2W 1%	3.0 EA	R026 R101 R107
548 2400 234	RES 221 OHM 1/2W 1%	3.0 EA	R022 R024 R110
548 2400 247	RES 301 OHM 1/2W 1%	1.0 EA	R109
548 2400 258	RES 392 OHM 1/2W 1%	2.0 EA	R104 R106
548 2400 266	RES 475 OHM 1/2W 1%	1.0 EA	R105
548 2400 269	RES 511 OHM 1/2W 1%	2.0 EA	R113 R118
548 2400 285	RES 750 OHM 1/2W 1%	1.0 EA	R002
548 2400 293	RES 909 OHM 1/2W 1%	2.0 EA	R015 R017
548 2400 301	RES 1K OHM 1/2W 1%	2.0 EA	R128 R132
548 2400 318	RES 1.5K OHM 1/2W 1%	7.0 EA	R005 R009 R010 R011 R027 R028 R029
548 2400 330	RES 2K OHM 1/2W 1%	2.0 EA	R020 R030
548 2400 401	RES 10K OHM 1/2W 1%	6.0 EA	R003 R004 R102 R103 R108 R115
548 2400 466	RES 47.5K OHM 1/2W 1%	1.0 EA	R120
548 2400 493	RES 90.9K OHM 1/2W 1%	1.0 EA	R019
548 2400 601	RES 1MEG OHM 1/2W 1%	1.0 EA	R127
550 0901 000	POT 500 OHM 1/2W 10%	2.0 EA	R007 R018
550 0942 000	POT 100K OHM 1/2 W 10%	1.0 EA	R116
558 0036 000	HEATER, SAW FILTER	1.0 EA	HR001
559 0047 000	THERMISTOR 10K OHM	1.0 EA	RT001
604 0469 000	SW TGL SPDT	1.0 EA	S001
610 0679 000	PLUG, SHORTING, .25" CTRS	1.0 EA	JP002
610 0900 000	HEADER 3 CKT STRAIGHT	1.0 EA	JP101
610 0933 000	JUMPER, PWB TEST POINT	1.0 EA	TP001
612 0775 000	JACK, PC MT, .040 PINS	3.0 EA	E001 E002 E003
612 1184 000	SHUNT JUMPER 0.1" CENTERS	1.0 EA	JP101
620 0700 000	*RECPT, MALE SMB,PC MOUNT	3.0 EA	J001 J002 J003
843 4999 603	PWB, VSB/1F AGC, CCIR D	1.0 EA	
843 5400 124	SCH, VSB/IF AGC CCIR SYS I	0.0 EA	
917 2501 002	HEATER BLANKET	2.0 EA	
999 2573 002	HARDWARE LIST, VSB IF AGC	1.0 EA	

Table 7-16. PWA SYSTEM M SAW FILTER 45MHZ - 992 9023 006

<i>Harris PN</i>	<i>Description</i>	<i>QTY UM</i>	<i>Reference Designators (C)</i>
992 8527 001	NOTCH DIP/REC EQ BD	1.0 EA	
992 8712 002	SYNTHESIZER BD#1 45.75MHZ	1.0 EA	
992 8899 006	PWB, VSB/IF AGC SYS M 45MHZ IF	1.0 EA	

Table 7-17. SYNTHESIZER BD#1 45.75MHZ - 992 8712 002

<i>Harris PN</i>	<i>Description</i>	<i>QTY UM</i>	<i>Reference Designators (D)</i>
358 1881 000	EJECTOR KIT CARD	1.0 EA	
358 1928 000	JUMPER 1/4 LG 1/8H	13.0 EA	JP001 JP002 JP003 JP004 JP005 JP006 JP007 JP008 JP009 JP010 JP011 JP012 JP013
380 0116 000	XSTR, 2N3866 ESD	3.0 EA	Q001 Q002 Q003
380 0189 000	XSTR, NPN 2N3904 ESD	3.0 EA	Q004 Q005 Q007
380 0190 000	XSTR, PNP 2N3906 ESD	1.0 EA	Q006
382 0184 000	IC, 340T-5/7805 +5V REG ESD	1.0 EA	U016
382 0521 000	IC, 339 ESD	1.0 EA	U003
382 0605 000	IC 7905C ESD	1.0 EA	U012
382 0690 000	IC 10131 ESD	2.0 EA	U006 U017
382 0692 000	IC 10136 ESD	2.0 EA	U007 U010
382 0749 000	IC NE5532A ESD	1.0 EA	U011
382 0868 000	IC MC145151P2 ESD	1.0 EA	U002
382 1217 000	IC 1036 ESD	1.0 EA	U001
382 1221 000	IC 10216 ESD	4.0 EA	U004 U005 U008 U009
382 1228 000	IC NE 602 ESD	1.0 EA	U014
382 1230 000	IC NE 592 ESD	2.0 EA	U013 U015
384 0205 000	DIODE SILICON 1N914/4148 ESD	9.0 EA	CR003 CR005 CR006 CR007 CR008 CR010 CR011 CR012 CR015
384 0661 000	LED, GRN, T 1-3/4, RT ANG ESD	1.0 EA	DS001
404 0198 000	SPACER TO-5, TO-9, TO-11	3.0 EA	XQ001 XQ002 XQ003
444 2958 000	XTAL 8 MHZ	1.0 EA	Y002
444 2959 000	XTAL 10 MHZ	1.0 EA	Y001
444 2960 000	XTAL 16 MHZ	1.0 EA	Y003
478 0392 000	XFMR, RF MODEL T4-1	1.0 EA	T001
492 0777 000	IND, VAR 2.2UH NOM	1.0 EA	L004
492 0778 000	IND VAR .288UH NOM	1.0 EA	L007
492 0779 000	IND VAR .33UH NOM	3.0 EA	L017 L018 L019
492 0780 000	IND VAR 1.23UH NOM	1.0 EA	L001
494 0377 000	CHOKE RF 0.27UH	1.0 EA	L015
494 0392 000	CHOKE RF 4.70UH	1.0 EA	L016
494 0398 000	CHOKE RF 10.0UH +/- 10%	2.0 EA	L012 L013
494 0399 000	CHOKE RF 12.0UH	2.0 EA	L006 L008
494 0402 000	CHOKE RF 22.0UH	3.0 EA	L002 L003 L014
494 0404 000	CHOKE RF 33.0UH	1.0 EA	L020
494 0465 000	IND, 2.7UH 5%	1.0 EA	L005
494 0470 000	IND 8,200 UH 10%	1.0 EA	L011
494 0477 000	IND 2,700 UH 10%	1.0 EA	L009
494 0478 000	IND 2,200 UH 10%	1.0 EA	L010
500 1253 000	CAP 5PF 100V +/- .5PF	3.0 EA	C111 C134 C140
500 1268 000	CAP 33PF 500V 5%	1.0 EA	C028
500 1281 000	CAP 100PF 300V 5%	2.0 EA	C019 C107
500 1285 000	CAP 150PF 500V 5%	1.0 EA	C020
500 1287 000	CAP 180PF 500V 5%	1.0 EA	C026
500 1289 000	CAP 220PF 300V 5%	1.0 EA	C014
500 1292 000	CAP 300PF 300V 5%	1.0 EA	C126
506 0230 000	CAP .001UF 100VAC 5%	2.0 EA	C113 C114
506 0232 000	CAP .01UF 100V 5%	1.0 EA	C121
506 0234 000	CAP .0022UF 100V 5%	1.0 EA	C122
506 0236 000	CAP .0047UF 100/63V 5%	1.0 EA	C124

506 0238 000	CAP .015UF 100V 5%	1.0 EA	C123
506 0239 000	CAP .022UF 100V 5%	2.0 EA	C116 C117
506 0254 000	CAP .0082UF 100V 5%	1.0 EA	C125
516 0417 000	CAP 1000PF 10% 200V	3.0 EA	C013 C103 C132
516 0530 000	CAP .01UF 10% 100V X7R	3.0 EA	C034 C039 C040
516 0765 000	CAP 10PF 5% 100V C0G	1.0 EA	C137
516 0767 000	CAP 15PF 5% 100V C0G	4.0 EA	C033 C110 C112 C135
516 0768 000	CAP 18PF 5% 100V C0G	2.0 EA	C133 C136
516 0770 000	CAP 27PF 5% 100V C0G	2.0 EA	C138 C139
516 0783 000	CAP 330PF 5% 100V C0G	1.0 EA	C035
516 0831 000	CAP 0.010UF 10% 100V	15.0 EA	C003 C007 C012 C015 C016 C036 C052 C053 C054 C055 C104 C105 C108 C109 C130
516 0891 000	CAP 0.100UF 10% 50V	25.0 EA	C001 C004 C006 C008 C009 C010 C011 C017 C018 C021 C022 C023 C024 C025 C027 C029 C030 C031 C032 C045 C101 C115 C120 C128 C129
516 0906 000	CAP 33PF 10% 200V	2.0 EA	C118 C119
516 0907 000	CAP 0.330UF 10% 50V	3.0 EA	C050 C051 C102
516 0910 000	CAP 820PF 10% 200V	1.0 EA	C106
518 0057 000	CAP, VAR 9-35PF	1.0 EA	C038
526 0050 000	CAP 1UF 35V 20%	5.0 EA	C048 C049 C100 C127 C131
526 0311 000	CAP 2.2UF 35V 10%	1.0 EA	C002
526 0358 000	CAP 22UF 35V 10%	1.0 EA	C037
528 0037 000	DIODE, VARACTOR BB505	3.0 EA	CR004 CR013 CR014
548 2400 142	RES 26.7 OHM 1/2W 1%	4.0 EA	R050 R061 R133 R134
548 2400 151	RES 33.2 OHM 1/2W 1%	1.0 EA	R063
548 2400 166	RES 47.5 OHM 1/2W 1%	5.0 EA	R043 R047 R051 R068 R138
548 2400 169	RES 51.1 OHM 1/2W 1%	1.0 EA	R035
548 2400 173	RES 56.2 OHM 1/2W 1%	1.0 EA	R017
548 2400 189	RES 82.5 OHM 1/2W 1%	5.0 EA	R023 R024 R025 R034 R062
548 2400 201	RES 100 OHM 1/2W 1%	2.0 EA	R030 R031
548 2400 209	RES 121 OHM 1/2W 1%	1.0 EA	R108
548 2400 218	RES 150 OHM 1/2W 1%	2.0 EA	R002 R039
548 2400 230	RES 200 OHM 1/2W 1%	2.0 EA	R139 R140
548 2400 234	RES 221 OHM 1/2W 1%	4.0 EA	R131 R132 R136 R137
548 2400 247	RES 301 OHM 1/2W 1%	1.0 EA	R126
548 2400 251	RES 332 OHM 1/2W 1%	1.0 EA	R054
548 2400 266	RES 475 OHM 1/2W 1%	8.0 EA	R019 R036 R105 R106 R109 R120 R121 R129
548 2400 268	RES 499 OHM 1/2W 1%	2.0 EA	R115 R116
548 2400 273	RES 562 OHM 1/2W 1%	2.0 EA	R032 R033
548 2400 281	RES 681 OHM 1/2W 1%	15.0 EA	R015 R037 R038 R042 R044 R048 R049 R052 R056 R058 R059 R060 R064 R065 R066
548 2400 289	RES 825 OHM 1/2W 1%	1.0 EA	R055
548 2400 301	RES 1K OHM 1/2W 1%	7.0 EA	R018 R045 R046 R057 R130 R141 R142
548 2400 309	RES 1.21K OHM 1/2W 1%	1.0 EA	R128
548 2400 318	RES 1.5K OHM 1/2W 1%	1.0 EA	R027
548 2400 326	RES 1.82K OHM 1/2W 1%	1.0 EA	R107
548 2400 330	RES 2K OHM 1/2W 1%	5.0 EA	R003 R004 R112 R113 R119
548 2400 334	RES 2.21K OHM 1/2W 1%	1.0 EA	R022
548 2400 342	RES 2.67K OHM 1/2W 1%	1.0 EA	R118
548 2400 351	RES 3.32K OHM 1/2W 1%	2.0 EA	R021 R026
548 2400 366	RES 4.75K OHM 1/2W 1%	3.0 EA	R029 R111 R114
548 2400 381	RES 6.81K OHM 1/2W 1%	1.0 EA	R020
548 2400 401	RES 10K OHM 1/2W 1%	7.0 EA	R008 R009 R010 R014 R028 R123 R124
548 2400 418	RES 15K OHM 1/2W 1%	2.0 EA	R005 R127

548 2400 426	RES 18.2K OHM 1/2W 1%	4.0 EA	R053 R067 R102 R125
548 2400 430	RES 20K OHM 1/2W 1%	1.0 EA	R122
548 2400 466	RES 47.5K OHM 1/2W 1%	1.0 EA	R117
548 2400 468	RES 49.9K OHM 1/2W 1%	1.0 EA	R006
548 2400 481	RES 68.1K OHM 1/2W 1%	1.0 EA	R016
548 2400 501	RES 100K OHM 1/2W 1%	1.0 EA	R013
550 1074 000	POT 20K OHM .75W 10%	1.0 EA	R001
620 0700 000	*RECPT, MALE SMB,PC MOUNT	6.0 EA	J001 J002 J003 J004 J005 J006
700 1271 000	OCXO 10 MHZ	1.0 EA	Y004
817 2199 001	SPEC, TEST PROCEDURE	0.0 EA	
839 7900 658	SCHEM,SYNTH BD#1 45.75MHZ	0.0 EA	
843 4999 547	PWB, SYNTH BD#1 45.75MHZ	1.0 EA	
939 7900 540	SHIELD PC BOARD	1.0 EA	
999 2664 001	HARDWARE LIST	1.0 EA	

Table 7-18. PWB, VSB/IF AGC SYS M 45MHZ IF - 992 8899 006

<i>Harris PN</i>	<i>Description</i>	<i>QTY UM</i>	<i>Reference Designators (B)</i>
358 1881 000	EJECTOR KIT CARD	1.0 EA	
380 0114 000	*XSTR, NPN, 2N5109 ESD	4.0 EA	Q005 Q006 Q101 Q102
380 0152 000	XSTR, D40C5 ESD	1.0 EA	Q004
380 0189 000	XSTR, NPN 2N3904 ESD	2.0 EA	Q001 Q002
382 0428 000	IC, LM358 ESD	1.0 EA	U101
382 1231 000	IC MWA-130 ESD	1.0 EA	U001
384 0321 000	*DIODE 5082-2800 ESD	1.0 EA	CR011
384 0355 000	DIODE HP5082-3081/A5S139 ESD	1.0 EA	CR101
384 0361 000	DIODE 5082-3077 ESD	6.0 EA	CR001 CR002 CR003 CR004 CR005 CR006
384 0431 000	RECT. 1N4001 ESD	1.0 EA	CR007
384 0720 000	TRANSZORB 1N6377 15V 5W ESD	2.0 EA	CR009 CR010
384 0838 000	TRANSZORB 1N6380 36V 5W ESD	1.0 EA	CR008
404 0198 000	SPACER TO-5, TO-9, TO-11	5.0 EA	U001 XQ005 XQ006 XQ101 XQ102
404 0513 000	HEAT SINK PA1-1CB	1.0 EA	Q004
404 0673 000	SOCKET, DIP, 8 PIN (DL)	1.0 EA	XU101
404 0725 000	HEAT SINK TO-5 CASE	3.0 EA	Q005 Q006 U001
478 0392 000	XFMR, RF MODEL T4-1	2.0 EA	T002 T101
484 0493 000	* SAW FILTER, 45.75MHZ IF	1.0 EA	FL001
494 0239 000	CHOKER, WIDE BAND 2.5 TURN	1.0 EA	L102
494 0386 000	CHOKER RF 1.50UH	1.0 EA	L004
494 0398 000	CHOKER RF 10.0UH +/- 10%	3.0 EA	L001 L003 L005
500 0826 000	CAP, MICA, 120PF 500V 5%	1.0 EA	C107
516 0059 000	CAP, DISC .0015UF 1KV 10%	17.0 EA	C001 C002 C006 C007 C017 C021 C022 C027 C028 C029 C030 C031 C101 C103 C106 C108 C114
516 0067 000	CAP DISC .003UF 1KV 20%	2.0 EA	C005 C018
516 0074 000	CAP, DISC .005UF 1KV 20%	1.0 EA	C016
516 0375 000	CAP 0.01UF 50V -20/+80% Z5U	6.0 EA	C019 C023 C024 C025 C102 C104
516 0453 000	CAP .1UF 100V 20% X7R	5.0 EA	C003 C004 C013 C014 C112
516 0530 000	CAP .01UF 10% 100V X7R	4.0 EA	C012 C015 C026 C043
516 0556 000	CAP .33UF 100V 20%	1.0 EA	C115
516 0768 000	CAP 18PF 5% 100V C0G	1.0 EA	C011
516 0769 000	CAP 22PF 5% 100V C0G	1.0 EA	C010
520 0448 000	CAP, VAR .8-14PF	1.0 EA	C044
522 0548 000	CAP 10UF 50V 20%	3.0 EA	C040 C041 C042
526 0342 000	CAP 2.7UF 35V 10%	2.0 EA	C105 C111
540 1600 123	RES 82 OHM 3W 5%	2.0 EA	R012 R013

548 2400 042	RES 2.67 OHM 1/2W 1%	1.0 EA	R114
548 2400 073	RES 5.62 OHM 1/2W 1%	1.0 EA	R016
548 2400 085	RES 7.5 OHM 1/2W 1%	2.0 EA	R006 R008
548 2400 118	RES 15 OHM 1/2W 1%	1.0 EA	R112
548 2400 126	RES 18.2 OHM 1/2W 1%	1.0 EA	R031
548 2400 162	RES 43.2 OHM 1/2W 1%	1.0 EA	R023
548 2400 169	RES 51.1 OHM 1/2W 1%	2.0 EA	R001 R021
548 2400 181	RES 68.1 OHM 1/2W 1%	1.0 EA	R032
548 2400 185	RES 75 OHM 1/2W 1%	1.0 EA	R025
548 2400 201	RES 100 OHM 1/2W 1%	3.0 EA	R026 R101 R107
548 2400 234	RES 221 OHM 1/2W 1%	3.0 EA	R022 R024 R110
548 2400 247	RES 301 OHM 1/2W 1%	1.0 EA	R109
548 2400 258	RES 392 OHM 1/2W 1%	2.0 EA	R104 R106
548 2400 266	RES 475 OHM 1/2W 1%	1.0 EA	R105
548 2400 269	RES 511 OHM 1/2W 1%	2.0 EA	R113 R118
548 2400 285	RES 750 OHM 1/2W 1%	1.0 EA	R002
548 2400 293	RES 909 OHM 1/2W 1%	2.0 EA	R015 R017
548 2400 301	RES 1K OHM 1/2W 1%	2.0 EA	R128 R132
548 2400 318	RES 1.5K OHM 1/2W 1%	7.0 EA	R005 R009 R010 R011 R027 R028 R029
548 2400 330	RES 2K OHM 1/2W 1%	2.0 EA	R020 R030
548 2400 401	RES 10K OHM 1/2W 1%	6.0 EA	R003 R004 R102 R103 R108 R115
548 2400 443	RES 27.4K OHM 1/2W 1%	1.0 EA	R019
548 2400 466	RES 47.5K OHM 1/2W 1%	1.0 EA	R120
548 2400 601	RES 1MEG OHM 1/2W 1%	1.0 EA	R127
550 0901 000	POT 500 OHM 1/2W 10%	2.0 EA	R007 R018
550 0942 000	POT 100K OHM 1/2 W 10%	1.0 EA	R116
558 0045 000	HTR, SAW FILTER 5W 24VDC	1.0 EA	HR001
559 0047 000	THERMISTOR 10K OHM	1.0 EA	RT001
604 0469 000	SW TGL SPDT	1.0 EA	S001
610 0679 000	PLUG, SHORTING, .25" CTRS	1.0 EA	JP002
610 0900 000	HEADER 3 CKT STRAIGHT	1.0 EA	JP101
610 0933 000	JUMPER, PWB TEST POINT	1.0 EA	TP001
612 0775 000	JACK, PC MT, .040 PINS	3.0 EA	E001 E002 E003
612 1184 000	SHUNT JUMPER 0.1" CENTERS	1.0 EA	JP101
620 0700 000	*RECPT, MALE SMB,PC MOUNT	3.0 EA	J001 J002 J003
843 5400 441	SCH, VSB/IF AGC SYS M 45MHZ IF	0.0 EA	
843 5400 443	PWB, VSB/1F AGC SYS M 45MHZ IF	1.0 EA	
917 2501 002	HEATER BLANKET	2.0 EA	
999 2573 002	HARDWARE LIST, VSB IF AGC	1.0 EA	

Table 7-19. KIT, SOUND, SINGLE CARRIER - 992 9024 011

<i>Harris PN</i>	<i>Description</i>	<i>QTY UM</i>	<i>Reference Designators (E)</i>
620 1563 000	POWER SPLITTER	1.0 EA	
839 7994 210	WIRING DIAG, EXCITER,	0.0 EA	
839 7994 417	WIRING DIAG EXCITER MONO SOUND	0.0 EA	
917 2100 497	CABLE, EXC 3-1/2" W1	1.0 EA	W001
917 2100 499	CABLE EXC 7" W3	1.0 EA	
917 2100 501	CABLE EXC 7" W5	1.0 EA	W005
917 2100 502	CABLE EXC 9" W6	2.0 EA	W006
917 2100 503	CABLE EXC 10" W7	1.0 EA	W007
917 2315 251	CABLE EXCITER 14" W251	1.0 EA	W251
943 5275 187	PANEL REAR EXCITER	1.0 EA	
943 5285 042	COVER TOP EXCITER HTEL	1.0 EA	
992 8326 002	CMR FILTER MODULE	1.0 EA	

Table 7-20. PC ASSY FIL BOX - 917 2100 510

<i>Harris PN</i>	<i>Description</i>	<i>QTY UM</i>	<i>Reference Designators (E)</i>
354 0309 000	TERM SOLDER	3.0 EA	
384 0799 000	DIODE, BIPOLAR ESD	2.0 EA	CR002 CR005
516 0736 000	CAP .001UF 10% 100V X7R	4.0 EA	C002 C004 C006 C008
516 0891 000	CAP 0.100UF 10% 50V	4.0 EA	C001 C003 C005 C007
612 1268 000	RECEPTACLE RT ANG BNC	4.0 EA	J004 J004A J005 J005A
843 4999 354	PWB, FILTER BD.	1.0 EA	
922 0900 368	DIVIDER SHLD FILTER	2.0 EA	
922 0900 369	TOROID ASSY DIV SHLD	2.0 EA	

Table 7-21. PC ASSY FIL BOX W/TOROID - 917 2100 511

<i>Harris PN</i>	<i>Description</i>	<i>QTY UM</i>	<i>Reference Designators (E)</i>
354 0309 000	TERM SOLDER	3.0 EA	
384 0799 000	DIODE, BIPOLAR ESD	3.0 EA	CR003 CR008 CR011
516 0736 000	CAP .001UF 10% 100V X7R	5.0 EA	C002 C004 C006 C008 C010
516 0891 000	CAP 0.100UF 10% 50V	5.0 EA	C001 C003 C005 C007 C009
612 1268 000	RECEPTACLE RT ANG BNC	4.0 EA	J004 J004A J005 J005A
843 4999 354	PWB, FILTER BD.	1.0 EA	
922 0900 368	DIVIDER SHLD FILTER	2.0 EA	
922 0900 369	TOROID ASSY DIV SHLD	2.0 EA	
922 0900 370	TOROID FILTER PC BD	1.0 EA	

Table 7-22. PWA, AURAL CONVERTER WITH - 992 9034 002

<i>Harris PN</i>	<i>Description</i>	<i>QTY UM</i>	<i>Reference Designators (H)</i>
358 1881 000	EJECTOR KIT CARD	1.0 EA	
358 3383 000	JUMPER, 0.1" LG, 0.125" H	27.0 EA	A,B,C,D,E,F,G,H, A000 A001 A002 A003 A004 A005 N000 N001 N002 N003 N004 N005 N006 N007 N008 N009 RA000 RA001 RA002
380 0189 000	XSTR, NPN 2N3904 ESD	4.0 EA	Q003 Q004 Q005 Q006
380 0707 000	XSTR, NPN BFR96 ESD	2.0 EA	Q001 Q002
380 0726 000	XSTR, 2N7000 ESD	1.0 EA	Q007
382 0361 000	IC, IFC SRA-1 ESD	1.0 EA	MX001
382 0443 000	IC, CD4053BE ESD	1.0 EA	U014
382 0594 000	*IC TL074ACN ESD	2.0 EA	U024 U025
382 0749 000	IC NE5532A ESD	7.0 EA	U009 U010 U011 U012 U019 U020 U021
382 0882 000	IC, 78L05A ESD	1.0 EA	U017
382 0905 000	IC, 78L08/78L82 ESD	5.0 EA	U002 U005 U007 U013 U023
382 0907 000	IC MC145152P2 ESD	1.0 EA	U008
382 1122 000	*IC NE5205A ESD	4.0 EA	U003 U004 U015 U022
382 1126 000	IC 78L12A ESD	2.0 EA	U001 U016
383 0307 000	IC, 74HC163 ESD	2.0 EA	U018 U026
383 0346 000	*IC, MC12019 ESD	1.0 EA	U006
384 0205 000	DIODE SILICON 1N914/4148 ESD	20.0 EA	CR012 CR013 CR014 CR015 CR016 CR017 CR018 CR019 CR020 CR021 CR022 CR023 CR024 CR025 CR026 CR027 CR028 CR029 CR030 CR031
384 0611 000	LED, RED ESD	1.0 EA	DS001
384 0720 000	TRANSZORB 1N6377 15V 5W ESD	2.0 EA	CR010 CR011

404 0673 000	SOCKET, DIP, 8 PIN (DL)	11.0 EA	XU003 XU004 XU009 XU010 XU011 XU012 XU015 XU019 XU020 XU021 XU022
404 0674 000	SOCKET, DIP, 14 PIN (DL)	2.0 EA	XU024 XU025
404 0675 000	SOCKET, DIP, 16 PIN (DL)	1.0 EA	XU014
492 0636 000	COIL, VAR .366-.627UH	1.0 EA	L001
492 0765 000	FIXED RF INDUCTOR 345NH	4.0 EA	L002 L003 L009 L010
492 0769 000	FIXED RF INDUCTOR 600NH	1.0 EA	L008
494 0394 000	CHOKER 6.80UH	2.0 EA	L004 L005
494 0446 000	CHOKER POWER LINE 100UH	2.0 EA	L006 L007
500 1296 000	CAP 430PF 100V 5%	1.0 EA	C054
506 0244 000	CAP .22UF 63V 5%	2.0 EA	C114 C116
508 0529 000	CAP .01 UF 63VDCW	1.0 EA	C045
515 0136 501	CAP 0.1UF 50V 10% 0805 X7R	5.0 EA	C035 C036 C037 C038 C039
516 0453 000	CAP .1UF 100V 20% X7R	27.0 EA	C014 C019 C025 C028 C041 C042 C046 C047 C048 C051 C052 C060 C061 C069 C079 C080 C084 C085 C090 C091 C092 C093 C110 C118 C119 C120 C121
516 0530 000	CAP .01UF 10% 100V X7R	32.0 EA	C008 C009 C010 C011 C012 C013 C015 C016 C017 C018 C020 C024 C026 C027 C029 C058 C059 C064 C065 C067 C070 C071 C081 C082 C083 C087 C088 C089 C107 C108 C109 C122
516 0736 000	CAP .001UF 10% 100V X7R	10.0 EA	C007 C094 C095 C096 C097 C098 C099 C100 C105 C106
516 0765 000	CAP 10PF 5% 100V C0G	4.0 EA	C043 C044 C057 C086
516 0773 000	CAP 47PF 5% 100V C0G	1.0 EA	C002
516 0777 000	CAP 100PF 5% 100V C0G	1.0 EA	C053
516 0778 000	CAP 120PF 5% 100V C0G	4.0 EA	C021 C023 C111 C112
516 0780 000	CAP 180PF 5% 100V C0G	3.0 EA	C005 C022 C113
516 0782 000	CAP 270PF 5% 100V C0G	1.0 EA	C006
516 0783 000	CAP 330PF 5% 100V C0G	1.0 EA	C003
516 0786 000	CAP 560PF 5% 100V C0G	2.0 EA	C031 C034
516 0862 000	CAP 680PF 5% 100V C0G	1.0 EA	C001
516 0953 000	CAP 1.000UF 10% 50V	1.0 EA	C075
520 0448 000	CAP, VAR .8-14PF	1.0 EA	C076
522 0548 000	CAP 10UF 50V 20%	5.0 EA	C030 C055 C056 C062 C063
522 0549 000	CAP 22UF 35V NON-POL	2.0 EA	C032 C033
522 0572 000	CAP 3.3UF 50V 20%	2.0 EA	C115 C117
522 0574 000	CAP 22UF 50V 20%	2.0 EA	C004 C040
522 0577 000	CAP 100UF 16V 20%	4.0 EA	C049 C050 C077 C078
528 0036 000	DIODE VARACTOR KV3901	6.0 EA	CR001 CR002 CR003 CR004 CR005 CR006
540 1416 000	RES NETWORK 10K OHM 2%	1.0 EA	R088
540 1430 000	RES NETWORK, 10K OHM 2%	1.0 EA	R030
545 0308 117	RES 47.5 OHM 1% 0.1W 0805	1.0 EA	R037
545 0308 122	RES 75 OHM 1% 0.1W 0805	1.0 EA	R056
545 0308 201	RES 100 OHM 1% 0.1W 0805	1.0 EA	R087
545 0308 205	RES 150 OHM 1% 0.1W 0805	2.0 EA	R040 R041
545 0308 208	RES 200 OHM 1% 0.1W 0805	1.0 EA	R032
545 0308 212	RES 301 OHM 1% 0.1W 0805	1.0 EA	R042
545 0308 217	RES 475 OHM 1% 0.1W 0805	1.0 EA	R054
545 0308 301	RES 1K OHM 1% 0.1W 0805	2.0 EA	R038 R057
545 0308 312	RES 3.01K OHM 1% 0.1W 0805	1.0 EA	R036
545 0308 315	RES 3.92K OHM 1% 0.1W 0805	2.0 EA	R039 R092
545 0308 401	RES 10K OHM 1% 0.1W 0805	2.0 EA	R043 R044
548 2400 001	RES 1 OHM 1/2W 1%	1.0 EA	R064
548 2400 101	RES 10 OHM 1/2W 1%	1.0 EA	R005

548 2400 121	RES 16.2 OHM 1/2W 1%	1.0 EA	R013
548 2400 139	RES 24.9 OHM 1/2W 1%	3.0 EA	R122 R123 R124
548 2400 147	RES 30.1 OHM 1/2W 1%	1.0 EA	R084
548 2400 158	RES 39.2 OHM 1/2W 1%	1.0 EA	R109
548 2400 162	RES 43.2 OHM 1/2W 1%	1.0 EA	R081
548 2400 169	RES 51.1 OHM 1/2W 1%	2.0 EA	R009 R121
548 2400 181	RES 68.1 OHM 1/2W 1%	1.0 EA	R071
548 2400 185	RES 75 OHM 1/2W 1%	3.0 EA	R016 R059 R065
548 2400 193	RES 90.9 OHM 1/2W 1%	4.0 EA	R015 R017 R070 R072
548 2400 201	RES 100 OHM 1/2W 1%	2.0 EA	R007 R008
548 2400 212	RES 130 OHM 1/2W 1%	2.0 EA	R080 R082
548 2400 218	RES 150 OHM 1/2W 1%	2.0 EA	R108 R120
548 2400 226	RES 182 OHM 1/2W 1%	2.0 EA	R083 R085
548 2400 242	RES 267 OHM 1/2W 1%	1.0 EA	R086
548 2400 247	RES 301 OHM 1/2W 1%	2.0 EA	R012 R014
548 2400 266	RES 475 OHM 1/2W 1%	1.0 EA	R006
548 2400 269	RES 511 OHM 1/2W 1%	2.0 EA	R130 R139
548 2400 301	RES 1K OHM 1/2W 1%	13.0 EA	R001 R020 R021 R024 R066 R069 R075 R076 R078 R079 R095 R133 R142
548 2400 318	RES 1.5K OHM 1/2W 1%	3.0 EA	R011 R093 R107
548 2400 321	RES 1.62K OHM 1/2W 1%	1.0 EA	R003
548 2400 334	RES 2.21K OHM 1/2W 1%	2.0 EA	R002 R131
548 2400 351	RES 3.32K OHM 1/2W 1%	2.0 EA	R004 R010
548 2400 358	RES 3.92K OHM 1/2W 1%	1.0 EA	R105
548 2400 366	RES 4.75K OHM 1/2W 1%	3.0 EA	R019 R110 R111
548 2400 369	RES 5.11K OHM 1/2W 1%	2.0 EA	R073 R074
548 2400 373	RES 5.62K OHM 1/2W 1%	3.0 EA	R027 R028 R055
548 2400 386	RES 7.68K OHM 1/2W 1%	2.0 EA	R018 R053
548 2400 401	RES 10K OHM 1/2W 1%	20.0 EA	R022 R023 R045 R046 R047 R048 R050 R051 R052 R060 R062 R063 R068 R098 R099 R100 R101 R103 R104 R140
548 2400 442	RES 26.7K OHM 1/2W 1%	2.0 EA	R094 R106
548 2400 451	RES 33.2K OHM 1/2W 1%	4.0 EA	R090 R091 R096 R097
548 2400 468	RES 49.9K OHM 1/2W 1%	2.0 EA	R126 R127
548 2400 469	RES 51.1K OHM 1/2W 1%	1.0 EA	R089
548 2400 485	RES 75K OHM 1/2W 1%	2.0 EA	R135 R136
548 2400 501	RES 100K OHM 1/2W 1%	4.0 EA	R077 R125 R129 R134
548 2400 518	RES 150K OHM 1/2W 1%	1.0 EA	R138
548 2400 530	RES 200K OHM 1/2W 1%	2.0 EA	R128 R137
548 2400 547	RES 301K OHM 1/2W 1%	2.0 EA	R025 R026
550 0970 000	TRIMPOT 1K OHM 1/2W 10%	4.0 EA	R049 R058 R061 R067
550 1060 000	TRIMPOT 50K OHM 1/2W 10%	2.0 EA	R132 R141
604 0469 000	SW TGL SPDT	1.0 EA	S002
610 0900 000	HEADER 3 CKT STRAIGHT	7.0 EA	JP005 JP007 JP008 JP009 JP010 JP011 JP012
610 0933 000	JUMPER, PWB TEST POINT	3.0 EA	TP001 TP002 TP003
612 1184 000	SHUNT JUMPER 0.1" CENTERS	7.0 EA	P005 P007 P008 P009 P010 P011 P012
620 0700 000	*RECPT, MALE SMB,PC MOUNT	5.0 EA	J001 J002 J003 J004 J005
843 5460 141	SCH, AURAL CONVERTER	0.0 EA	
843 5460 143	PWB, AURAL CONVERTER	1.0 EA	
939 7900 545	SHIELD PC BOARD	1.0 EA	
943 4999 176	COVER, PC BD	1.0 EA	
999 2559 002	HARDWARE LIST	1.0 EA	

Table 7-23. KIT, SOUND, DUAL CARRIER - 992 9024 012

<i>Harris PN</i>	<i>Description</i>	<i>QTY UM</i>	<i>Reference Designators (B)</i>
358 0950 000	GUIDE, CARD 4.5 IN L	2.0 EA	
620 2827 000	SPLITTER/COMBINER, 3-WAY	1.0 EA	
917 2100 497	CABLE, EXC 3-1/2" W1	2.0 EA	W001
917 2100 498	CABLE EXC 5" W2	1.0 EA	
917 2100 499	CABLE EXC 7" W3	1.0 EA	
917 2100 500	CABLE EXC 8" W4	1.0 EA	W004
917 2100 502	CABLE EXC 9" W6	4.0 EA	W006
917 2100 503	CABLE EXC 10" W7	4.0 EA	W007
917 2100 505	CABLE EXC 13" W9	2.0 EA	W009
917 2100 789	CABLE EXC 14" W35	1.0 EA	W035
917 2100 790	CABLE ASSY, RIBBON 10C	1.0 EA	
943 5285 193	COVER EXC DUAL SOUND,HTEL	1.0 EA	
943 5285 204	BRACKET, PCB SLIDE MTG	1.0 EA	
943 5285 420	PANEL, EXCITER REAR	1.0 EA	
992 8293 001	PWB AURAL LINEARIZATION	1.0 EA	
992 8334 002	CMR FILTER DUAL SOUND	1.0 EA	
992 9012 001	PWA,AURAL CH1 SYNTHESIZER	1.0 EA	
992 9015 001	PWA, DUAL CARR PWR DETECT	1.0 EA	
992 9035 001	PWA, AURAL CHANNEL 2 WITH	1.0 EA	

Table 7-24. PWB AURAL LINEARIZATION - 992 8293 001

<i>Harris PN</i>	<i>Description</i>	<i>QTY UM</i>	<i>Reference Designators (S)</i>
358 1881 000	EJECTOR KIT CARD	1.0 EA	
380 0114 000	*XSTR, NPN, 2N5109 ESD	4.0 EA	Q001 Q003 Q004 Q006
380 0536 000	XSTR, NPN, 2N5179 ESD	2.0 EA	Q002 Q005
380 0622 000	XSTR, N-JFET U310 ESD	1.0 EA	Q007
382 0361 000	IC, IFC SRA-1 ESD	1.0 EA	MX001
382 0415 000	IC, 324 ESD	2.0 EA	U004 U005
382 0593 000	IC TL072ACP ESD	1.0 EA	U001
382 1122 000	*IC NE5205A ESD	1.0 EA	U003
384 0355 000	DIODE HP5082-3081/A5S139 ESD	3.0 EA	CR014 CR015 CR016
384 0431 000	RECT. 1N4001 ESD	1.0 EA	CR018
384 0642 000	*DIODE, 5082-2835 ESD	9.0 EA	CR004 CR005 CR006 CR007 CR009 CR010 CR011 CR012 CR013
384 0720 000	TRANSZORB 1N6377 15V 5W ESD	2.0 EA	CR001 CR003
384 0838 000	TRANSZORB 1N6380 36V 5W ESD	1.0 EA	CR002
404 0198 000	SPACER TO-5, TO-9, TO-11	4.0 EA	XQ001 XQ003 XQ004 XQ006
404 0673 000	SOCKET, DIP, 8 PIN (DL)	2.0 EA	XU001 XU003
404 0674 000	SOCKET, DIP, 14 PIN (DL)	2.0 EA	XU004 XU005
478 0392 000	XFMR, RF MODEL T4-1	1.0 EA	T001
492 0769 000	FIXED RF INDUCTOR 600NH	1.0 EA	L002
494 0239 000	CHOKE, WIDE BAND 2.5 TURN	2.0 EA	L007 L008
494 0262 000	CHOKE RF 10UH 10%	8.0 EA	L003 L004 L005 L006 L011 L012 L013 L014
494 0376 000	CHOKE RF 0.22UH	2.0 EA	L009 L010
494 0390 000	CHOKE RF 3.30UH	1.0 EA	L001
494 0446 000	CHOKE POWER LINE 100UH	3.0 EA	L017 L018 L019
516 0453 000	CAP .1UF 100V 20% X7R	4.0 EA	C017 C018 C022 C023
516 0530 000	CAP .01UF 10% 100V X7R	42.0 EA	

			C001 C002 C006 C010 C011 C012 C013 C014 C015 C024 C025 C026 C028 C029 C030 C031 C032 C033 C034 C035 C036 C041 C042 C043 C044 C047 C048 C050 C051 C052 C053 C054 C055 C056 C057 C058 C061 C062 C073 C074 C075 C076
516 0725 000	CAP 1.0UF 50V 20%	2.0 EA	C016 C020
516 0736 000	CAP .001UF 10% 100V X7R	9.0 EA	C077 C078 C080 C081 C082 C083 C085 C086 C087
516 0774 000	CAP 56PF 5% 100V C0G	4.0 EA	C064 C065 C067 C068
516 0776 000	CAP 82PF 5% 100V C0G	2.0 EA	C049 C063
516 0777 000	CAP 100PF 5% 100V C0G	1.0 EA	C079
516 0779 000	CAP 150PF 5% 100V C0G	1.0 EA	C066
520 0448 000	CAP, VAR .8-14PF	1.0 EA	C027
522 0548 000	CAP 10UF 50V 20%	3.0 EA	C003 C007 C084
526 0311 000	CAP 2.2UF 35V 10%	12.0 EA	C037 C038 C039 C040 C045 C046 C059 C060 C069 C070 C071 C072
540 0323 000	*RES 430 OHM 1W 10%	2.0 EA	R037 R061
540 1484 000	RES, NETWORK 15K OHM 2%	2.0 EA	R087 R088
548 2400 101	RES 10 OHM 1/2W 1%	7.0 EA	R026 R034 R041 R042 R059 R065 R066
548 2400 121	RES 16.2 OHM 1/2W 1%	1.0 EA	R082
548 2400 147	RES 30.1 OHM 1/2W 1%	1.0 EA	R017
548 2400 154	RES 35.7 OHM 1/2W 1%	1.0 EA	R019
548 2400 166	RES 47.5 OHM 1/2W 1%	2.0 EA	R043 R067
548 2400 169	RES 51.1 OHM 1/2W 1%	3.0 EA	R024 R057 R080
548 2400 185	RES 75 OHM 1/2W 1%	3.0 EA	R009 R010 R084
548 2400 189	RES 82.5 OHM 1/2W 1%	3.0 EA	R012 R013 R014
548 2400 201	RES 100 OHM 1/2W 1%	2.0 EA	R079 R083
548 2400 212	RES 130 OHM 1/2W 1%	1.0 EA	R011
548 2400 218	RES 150 OHM 1/2W 1%	6.0 EA	R005 R020 R021 R039 R063 R081
548 2400 226	RES 182 OHM 1/2W 1%	4.0 EA	R015 R016 R040 R064
548 2400 237	RES 237 OHM 1/2W 1%	2.0 EA	R038 R062
548 2400 242	RES 267 OHM 1/2W 1%	1.0 EA	R018
548 2400 247	RES 301 OHM 1/2W 1%	2.0 EA	R027 R060
548 2400 258	RES 392 OHM 1/2W 1%	2.0 EA	R046 R070
548 2400 269	RES 511 OHM 1/2W 1%	1.0 EA	R008
548 2400 281	RES 681 OHM 1/2W 1%	1.0 EA	R007
548 2400 285	RES 750 OHM 1/2W 1%	2.0 EA	R022 R055
548 2400 301	RES 1K OHM 1/2W 1%	2.0 EA	R004 R006
548 2400 318	RES 1.5K OHM 1/2W 1%	2.0 EA	R085 R086
548 2400 330	RES 2K OHM 1/2W 1%	9.0 EA	R002 R028 R029 R030 R031 R073 R074 R075 R076
548 2400 334	RES 2.21K OHM 1/2W 1%	4.0 EA	R035 R036 R047 R048
548 2400 342	RES 2.67K OHM 1/2W 1%	2.0 EA	R025 R058
548 2400 385	RES 7.5K OHM 1/2W 1%	4.0 EA	R032 R033 R077 R078
548 2400 393	RES 9.09K OHM 1/2W 1%	2.0 EA	R023 R056
548 2400 401	RES 10K OHM 1/2W 1%	5.0 EA	R003 R044 R045 R068 R069
548 2400 442	RES 26.7K OHM 1/2W 1%	1.0 EA	R001
550 0923 000	POT 1K OHM 1/2W	4.0 EA	R051 R052 R053 R054
550 0927 000	POT 2K OHM 1/2W	4.0 EA	R049 R050 R071 R072
604 0859 000	SW, TGL DPDT	1.0 EA	S001
610 0679 000	PLUG, SHORTING, .25" CTRS	3.0 EA	P001 (2) P004
610 0900 000	HEADER 3 CKT STRAIGHT	2.0 EA	P002 P003
612 0775 000	JACK, PC MT, .040 PINS	7.0 EA	FOR P001 & P004
612 1184 000	SHUNT JUMPER 0.1" CENTERS	2.0 EA	P002 P003

620 0700 000	*RECPT, MALE SMB,PC MOUNT	5.0 EA	J001 J002 J003 J004 J005
620 1955 000	HYBRID, QUADRATURE	1.0 EA	HY001
620 2518 000	DIR COUPLER, .5-500 MHZ	1.0 EA	U002
839 7900 481	SCHEM,AURAL LINEARIZATION	0.0 EA	
843 4999 358	PWB, AURAL LINEARIZATION	1.0 EA	

Table 7-25. CMR FILTER DUAL SOUND - 992 8334 002

<i>Harris PN</i>	<i>Description</i>	<i>QTY UM</i>	<i>Reference Designators (A)</i>
612 0200 000	RECEPTACLE 3 CONTACT	2.0 EA	J008 J011
839 7900 508	SCHEM, CMR FILTER	0.0 EA	
843 4999 327	COVER TOP FILTER ASSY	1.0 EA	
843 4999 328	COVER TOP DUAL SOUND ASSY	1.0 EA	
917 2100 525	FILTER BOX ASSY DUAL SND	1.0 EA	
917 2100 526	FIL BOX/TOROID DUAL SND	1.0 EA	
939 7900 841	CABLE, DUAL SOUND BOX	1.0 EA	
943 4999 326	COVER, BOTTOM FILTER ASSY	1.0 EA	
943 4999 329	COVER BOT DUAL SD ASSY	1.0 EA	

Table 7-26. FILTER BOX ASSY DUAL SND - 917 2100 525

<i>Harris PN</i>	<i>Description</i>	<i>QTY UM</i>	<i>Reference Designators (D)</i>
384 0799 000	DIODE, BIPOLAR ESD	1.0 EA	CR011
516 0736 000	CAP .001UF 10% 100V X7R	1.0 EA	C010
516 0891 000	CAP 0.100UF 10% 50V	1.0 EA	C009
843 4999 354	PWB, FILTER BD.	1.0 EA	
922 0900 368	DIVIDER SHLD FILTER	1.0 EA	
922 0900 370	TOROID FILTER PC BD	1.0 EA	

Table 7-27. FIL BOX/TOROID DUAL SND - 917 2100 526

<i>Harris PN</i>	<i>Description</i>	<i>QTY UM</i>	<i>Reference Designators (E)</i>
384 0799 000	DIODE, BIPOLAR ESD	2.0 EA	CR003 CR011
516 0736 000	CAP .001UF 10% 100V X7R	3.0 EA	C002 C004 C010
516 0891 000	CAP 0.100UF 10% 50V	3.0 EA	C001 C003 C009
612 1268 000	RECEPTACLE RT ANG BNC	2.0 EA	J004 J004A
843 4999 354	PWB, FILTER BD.	1.0 EA	
922 0900 368	DIVIDER SHLD FILTER	2.0 EA	
922 0900 369	TOROID ASSY DIV SHLD	1.0 EA	
922 0900 370	TOROID FILTER PC BD	1.0 EA	

Table 7-28. PWA,AURAL CH1 SYNTHESIZER - 992 9012 001

<i>Harris PN</i>	<i>Description</i>	<i>QTY UM</i>	<i>Reference Designators (L)</i>
358 1881 000	EJECTOR KIT CARD	2.0 EA	
358 1928 000	JUMPER 1/4 LG 1/8H	19.0 EA	
380 0189 000	XSTR, NPN 2N3904 ESD	3.0 EA	Q003 Q004 Q005
380 0707 000	XSTR, NPN BFR96 ESD	2.0 EA	Q001 Q002
382 0428 000	IC, LM358 ESD	1.0 EA	U014
382 0594 000	*IC TL074ACN ESD	3.0 EA	U012 U017 U018
382 0749 000	IC NE5532A ESD	2.0 EA	U010 U013
382 0905 000	IC, 78L08/78L82 ESD	6.0 EA	U004 U005 U007 U009 U015 U020
382 0907 000	IC MC145152P2 ESD	1.0 EA	U011
382 1122 000	*IC NE5205A ESD	2.0 EA	U001 U019

382 1126 000	IC 78L12A ESD	2.0 EA	U003 U006
382 1200 000	*IC MAR-8 ESD	1.0 EA	U016
383 0346 000	*IC, MC12019 ESD	2.0 EA	U002 U008
384 0205 000	DIODE SILICON 1N914/4148 ESD	16.0 EA	CR012 CR013 CR014 CR015 CR016 CR017 CR018 CR019 CR020 CR021 CR022 CR023 CR024 CR025 CR026 CR027
384 0321 000	*DIODE 5082-2800 ESD	2.0 EA	CR010 CR011
384 0355 000	DIODE HP5082-3081/A5S139 ESD	1.0 EA	CR009
384 0611 000	LED, RED ESD	1.0 EA	DS001
384 0720 000	TRANSZORB 1N6377 15V 5W ESD	2.0 EA	CR007 CR008
404 0509 000	SOCKET, DIP, 28 PIN (DL)	1.0 EA	XU011
404 0673 000	SOCKET, DIP, 8 PIN (DL)	7.0 EA	XU001 XU002 XU008 XU010 XU013 XU014 XU019
404 0674 000	SOCKET, DIP, 14 PIN (DL)	3.0 EA	XU012 XU017 XU018
404 0873 000	SOCKET ADAPTER SOIC8-DIP8	2.0 EA	XU002 XU008
492 0636 000	COIL, VAR .366-.627UH	1.0 EA	L003
492 0765 000	FIXED RF INDUCTOR 345NH	4.0 EA	L006 L007 L009 L010
494 0393 000	CHOKER RF 5.60UH	1.0 EA	L008
494 0394 000	CHOKER 6.80UH	2.0 EA	L001 L002
494 0446 000	CHOKER POWER LINE 100UH	2.0 EA	L004 L005
500 1296 000	CAP 430PF 100V 5%	1.0 EA	C053
506 0232 000	CAP .01UF 100V 5%	3.0 EA	C043 C044 C057
506 0244 000	CAP .22UF 63V 5%	2.0 EA	C089 C091
508 0529 000	CAP .01 UF 63VDCW	1.0 EA	C050
516 0453 000	CAP .1UF 100V 20% X7R	17.0 EA	C012 C017 C019 C021 C026 C028 C030 C032 C036 C046 C047 C051 C052 C058 C059 C061 C100
516 0530 000	CAP .01UF 10% 100V X7R	23.0 EA	C001 C010 C011 C013 C014 C015 C016 C018 C020 C023 C024 C025 C027 C035 C037 C038 C054 C055 C056 C060 C062 C063 C065
516 0725 000	CAP 1.0UF 50V 20%	1.0 EA	C034
516 0736 000	CAP .001UF 10% 100V X7R	26.0 EA	C009 C064 C071 C072 C073 C074 C075 C076 C077 C078 C079 C080 C081 C082 C083 C084 C085 C086 C093 C094 C095 C096 C097 C098 C099 C104
516 0767 000	CAP 15PF 5% 100V C0G	2.0 EA	C048 C049
516 0775 000	CAP 68PF 5% 100V C0G	1.0 EA	C004
516 0777 000	CAP 100PF 5% 100V C0G	1.0 EA	C003
516 0778 000	CAP 120PF 5% 100V C0G	4.0 EA	C066 C068 C101 C103
516 0780 000	CAP 180PF 5% 100V C0G	3.0 EA	C006 C067 C102
516 0782 000	CAP 270PF 5% 100V C0G	1.0 EA	C007
516 0783 000	CAP 330PF 5% 100V C0G	1.0 EA	C005
516 0786 000	CAP 560PF 5% 100V C0G	2.0 EA	C041 C042
516 0862 000	CAP 680PF 5% 100V C0G	1.0 EA	C002
522 0417 000	CAP 1000UF 25VDC	2.0 EA	C029 C031
522 0524 000	CAP 10 UF 100V 20% NON-POLAR	4.0 EA	C039 C040 C087 C088
522 0548 000	CAP 10UF 50V 20%	1.0 EA	C033
522 0572 000	CAP 3.3UF 50V 20%	2.0 EA	C090 C092
526 0311 000	CAP 2.2UF 35V 10%	3.0 EA	C045 C069 C070
526 0358 000	CAP 22UF 35V 10%	1.0 EA	C008
528 0036 000	DIODE VARACTOR KV3901	6.0 EA	CR001 CR002 CR003 CR004 CR005 CR006
540 1342 000	RES NETWORK 10K OHM	1.0 EA	R062
548 2400 101	RES 10 OHM 1/2W 1%	1.0 EA	R006
548 2400 109	RES 12.1 OHM 1/2W 1%	1.0 EA	R060
548 2400 139	RES 24.9 OHM 1/2W 1%	3.0 EA	R082 R083 R084

548 2400 166	RES 47.5 OHM 1/2W 1%	2.0 EA	R046 R047
548 2400 169	RES 51.1 OHM 1/2W 1%	2.0 EA	R011 R085
548 2400 185	RES 75 OHM 1/2W 1%	1.0 EA	R015
548 2400 193	RES 90.9 OHM 1/2W 1%	2.0 EA	R012 R013
548 2400 201	RES 100 OHM 1/2W 1%	4.0 EA	R008 R014 R025 R026
548 2400 218	RES 150 OHM 1/2W 1%	2.0 EA	R034 R035
548 2400 230	RES 200 OHM 1/2W 1%	1.0 EA	R057
548 2400 247	RES 301 OHM 1/2W 1%	1.0 EA	R036
548 2400 262	RES 432 OHM 1/2W 1%	2.0 EA	R058 R059
548 2400 266	RES 475 OHM 1/2W 1%	2.0 EA	R007 R051
548 2400 269	RES 511 OHM 1/2W 1%	3.0 EA	R041 R069 R078
548 2400 281	RES 681 OHM 1/2W 1%	1.0 EA	R048
548 2400 301	RES 1K OHM 1/2W 1%	7.0 EA	R001 R003 R016 R018 R024 R070 R081
548 2400 318	RES 1.5K OHM 1/2W 1%	1.0 EA	R009
548 2400 321	RES 1.62K OHM 1/2W 1%	1.0 EA	R004
548 2400 334	RES 2.21K OHM 1/2W 1%	3.0 EA	R002 R061 R071
548 2400 342	RES 2.67K OHM 1/2W 1%	2.0 EA	R021 R022
548 2400 351	RES 3.32K OHM 1/2W 1%	2.0 EA	R005 R010
548 2400 354	RES 3.57K OHM 1/2W 1%	1.0 EA	R023
548 2400 366	RES 4.75K OHM 1/2W 1%	4.0 EA	R017 R019 R020 R055
548 2400 369	RES 5.11K OHM 1/2W 1%	2.0 EA	R043 R045
548 2400 373	RES 5.62K OHM 1/2W 1%	2.0 EA	R030 R031
548 2400 381	RES 6.81K OHM 1/2W 1%	1.0 EA	R056
548 2400 386	RES 7.68K OHM 1/2W 1%	2.0 EA	R042 R044
548 2400 401	RES 10K OHM 1/2W 1%	5.0 EA	R038 R039 R040 R054 R079
548 2400 466	RES 47.5K OHM 1/2W 1%	2.0 EA	R032 R033
548 2400 468	RES 49.9K OHM 1/2W 1%	2.0 EA	R065 R066
548 2400 469	RES 51.1K OHM 1/2W 1%	1.0 EA	R027
548 2400 485	RES 75K OHM 1/2W 1%	2.0 EA	R074 R076
548 2400 489	RES 82.5K OHM 1/2W 1%	2.0 EA	R049 R050
548 2400 501	RES 100K OHM 1/2W 1%	3.0 EA	R064 R068 R073
548 2400 518	RES 150K OHM 1/2W 1%	1.0 EA	R077
548 2400 530	RES 200K OHM 1/2W 1%	2.0 EA	R067 R075
548 2400 534	RES 221K OHM 1/2W 1%	1.0 EA	R052
548 2400 547	RES 301K OHM 1/2W 1%	2.0 EA	R028 R029
550 0966 000	TRIMPOT 2K OHM 1/2W 10%	1.0 EA	R053
550 0970 000	TRIMPOT 1K OHM 1/2W 10%	1.0 EA	R037
550 1060 000	TRIMPOT 50K OHM 1/2W 10%	2.0 EA	R072 R080
610 0900 000	HEADER 3 CKT STRAIGHT	2.0 EA	J004 J005
610 0933 000	JUMPER, PWB TEST POINT	9.0 EA	TP001 TP002 TP003 TP004 TP005 TP006 TP007 TP008 TP009
612 1184 000	SHUNT JUMPER 0.1" CENTERS	2.0 EA	#J004 #J005
620 0700 000	*RECPT, MALE SMB,PC MOUNT	3.0 EA	J001 J002 J003
839 7900 706	SCH, AUR CH1 SYNTHESIZER	0.0 EA	
843 4999 657	PWB, AUR CH1 SYNTHESIZER	1.0 EA	
939 7900 113	SHIELD, PC BOARD	1.0 EA	
943 4999 176	COVER, PC BD	1.0 EA	

Table 7-29. PWA, DUAL CARR PWR DETECT - 992 9015 001

<i>Harris PN</i>	<i>Description</i>	<i>QTY UM</i>	<i>Reference Designators (H)</i>
358 1928 000	JUMPER 1/4 LG 1/8H	8.0 EA	N000 N001 N002 N003 N004 N005 N006 N007
380 0622 000	XSTR, N-JFET U310 ESD	1.0 EA	Q001
382 0361 000	IC, IFC SRA-1 ESD	2.0 EA	MX001 MX002
382 0749 000	IC NE5532A ESD	2.0 EA	U005 U010

382 0868 000	IC MC145151P2 ESD	1.0 EA	U008
382 1276 000	IC LT1058C ESD	1.0 EA	U004
382 1379 000	IC CLC522 VGA ESD	1.0 EA	U009
382 1384 000	IC AD829 VIDEO OP-AMP ESD	2.0 EA	U002 U003
383 0189 000	IC, SA5205A ESD	2.0 EA	U006 U007
383 0346 000	*IC, MC12019 ESD	1.0 EA	U001
384 0321 000	*DIODE 5082-2800 ESD	6.0 EA	CR001 CR002 CR003 CR004 CR005 CR006
384 0719 000	TRANSZORB 1N6373 5V 5W ESD	2.0 EA	CR008 CR009
384 0720 000	TRANSZORB 1N6377 15V 5W ESD	2.0 EA	CR010 CR011
404 0673 000	SOCKET, DIP, 8 PIN (DL)	1.0 EA	XU001
404 0873 000	SOCKET ADAPTER SOIC8-DIP8	1.0 EA	XU001
444 2953 000	CRYSTAL 10.2400 MHZ	1.0 EA	Y001
484 0425 000	FILTER LOW PASS 60MHZ	1.0 EA	U011
492 0834 000	IND, VAR, 33UH +/-10%	4.0 EA	L003 L004 L005 L006
492 0837 000	IND, VAR, 270UH +/-10%	2.0 EA	L001 L002
494 0379 000	CHOKE RF 0.39UH	1.0 EA	L008
494 0381 000	CHOKE RF 0.56UH	1.0 EA	L009
494 0393 000	CHOKE RF 5.60UH	1.0 EA	L013
494 0398 000	CHOKE RF 10.0UH +/- 10%	1.0 EA	L007
494 0400 000	CHOKE RF 15.0UH	2.0 EA	L010 L011
494 0403 000	CHOKE RF 27.0UH	1.0 EA	L012
500 0824 000	CAP, MICA, 91PF 500V 5%	2.0 EA	C021 C044
500 1262 000	CAP 18PF 500V 5%	1.0 EA	C022
500 1275 000	CAP 56PF 500V 5%	1.0 EA	C035
500 1287 000	CAP 180PF 500V 5%	1.0 EA	C036
500 1291 000	CAP 270PF 300V 5%	3.0 EA	C034 C037 C038
500 1292 000	CAP 300PF 300V 5%	1.0 EA	C033
500 1296 000	CAP 430PF 100V 5%	1.0 EA	C023
500 1297 000	CAP 470PF 100V 5%	1.0 EA	C039
500 1299 000	CAP 560PF 100V 5%	1.0 EA	C024
506 0234 000	CAP .0022UF 100V 5%	2.0 EA	C059 C060
506 0244 000	CAP .22UF 63V 5%	1.0 EA	C041
516 0453 000	CAP .1UF 100V 20% X7R	8.0 EA	C045 C046 C047 C048 C055 C056 C057 C058
516 0530 000	CAP .01UF 10% 100V X7R	22.0 EA	C001 C002 C003 C004 C007 C009 C010 C014 C015 C016 C017 C025 C032 C042 C043 C049 C050 C051 C052 C053 C054 C063
516 0725 000	CAP 1.0UF 50V 20%	2.0 EA	C061 C062
516 0736 000	CAP .001UF 10% 100V X7R	6.0 EA	C005 C008 C027 C028 C029 C030
516 0765 000	CAP 10PF 5% 100V C0G	2.0 EA	C026 C031
516 0771 000	CAP 33PF 5% 100V C0G	3.0 EA	C011 C019 C020
516 0773 000	CAP 47PF 5% 100V C0G	1.0 EA	C013
516 0777 000	CAP 100PF 5% 100V C0G	2.0 EA	C006 C040
516 0781 000	CAP 220PF 5% 100V C0G	1.0 EA	C012
516 0953 000	CAP 1.000UF 10% 50V	1.0 EA	C018
528 0033 000	DIODE, VARACTOR MV1405	1.0 EA	CR007
548 2400 073	RES 5.62 OHM 1/2W 1%	1.0 EA	R023
548 2400 101	RES 10 OHM 1/2W 1%	1.0 EA	R030
548 2400 109	RES 12.1 OHM 1/2W 1%	2.0 EA	R004 R009
548 2400 130	RES 20 OHM 1/2W 1%	1.0 EA	R016
548 2400 168	RES 49.9 OHM 1/2W 1%	1.0 EA	R015
548 2400 174	RES 57.6 OHM 1/2W 1%	2.0 EA	R002 R003
548 2400 201	RES 100 OHM 1/2W 1%	1.0 EA	R053
548 2400 226	RES 182 OHM 1/2W 1%	1.0 EA	R017
548 2400 230	RES 200 OHM 1/2W 1%	6.0 EA	R001 R019 R031 R032 R047 R048
548 2400 234	RES 221 OHM 1/2W 1%	1.0 EA	R027

548 2400 237	RES 237 OHM 1/2W 1%	1.0 EA	R021
548 2400 242	RES 267 OHM 1/2W 1%	2.0 EA	R014 R025
548 2400 254	RES 357 OHM 1/2W 1%	1.0 EA	R007
548 2400 262	RES 432 OHM 1/2W 1%	4.0 EA	ROO5 R006 R008 R010
548 2400 288	RES 806 OHM 1/2W 1%	4.0 EA	R033 R034 R045 R046
548 2400 291	RES 866 OHM 1/2W 1%	2.0 EA	R022 R024
548 2400 301	RES 1K OHM 1/2W 1%	4.0 EA	R026 R028 R039 R042
548 2400 330	RES 2K OHM 1/2W 1%	1.0 EA	R052
548 2400 334	RES 2.21K OHM 1/2W 1%	1.0 EA	R029
548 2400 344	RES 2.8K OHM 1/2W 1%	1.0 EA	R018
548 2400 401	RES 10K OHM 1/2W 1%	2.0 EA	R043 R044
548 2400 468	RES 49.9K OHM 1/2W 1%	2.0 EA	R035 R036
548 2400 501	RES 100K OHM 1/2W 1%	6.0 EA	R037 R038 R040 R041 R049 R050
548 2400 634	RES 2.21MEG OHM 1/2W 1%	2.0 EA	R020 R051
610 0900 000	HEADER 3 CKT STRAIGHT	1.0 EA	JP009
610 0979 000	HDR 10C 2ROW VERTICAL	1.0 EA	J005
612 1184 000	SHUNT JUMPER 0.1" CENTERS	1.0 EA	JPR009
620 0700 000	*RECPT, MALE SMB,PC MOUNT	1.0 EA	J006
620 1677 000	RECEPTACLE, PC MT, BNC	4.0 EA	J001 J002 J003 J004
620 2518 000	DIR COUPLER, .5-500 MHZ	2.0 EA	DC001 DC002
839 7900 707	SCH, DUAL CAR PWR DETECT	0.0 EA	
843 4999 659	PWB, DUAL CARR PWR DETECT	1.0 EA	
943 5285 202	PLATE, PCB MTG	1.0 EA	
943 5285 203	COVER, PCB	1.0 EA	

Table 7-30. PWA, AURAL CHANNEL 2 WITH - 992 9035 001

<i>Harris PN</i>	<i>Description</i>	<i>QTY UM</i>	<i>Reference Designators (G)</i>
358 1881 000	EJECTOR KIT CARD	1.0 EA	
358 3383 000	JUMPER, 0.1" LG, 0.125" H	28.0 EA	JP001 008A 008B 008C 008D 009E 009F 009G 009H A000 A001 A002 A003 A004 A005 N000 N001 N002 N003 N004 N005 N006 N007 N008 N009 RA000 RA001 RA002
380 0189 000	XSTR, NPN 2N3904 ESD	4.0 EA	Q003 Q004 Q005 Q006
380 0707 000	XSTR, NPN BFR96 ESD	2.0 EA	Q001 Q002
380 0726 000	XSTR, 2N7000 ESD	1.0 EA	Q007
382 0428 000	IC, LM358 ESD	1.0 EA	U014
382 0594 000	*IC TL074ACN ESD	3.0 EA	U012 U017 U018
382 0749 000	IC NE5532A ESD	2.0 EA	U010 U013
382 0882 000	IC, 78L05A ESD	1.0 EA	U007
382 0905 000	IC, 78L08/78L82 ESD	4.0 EA	U004 U005 U015 U020
382 0907 000	IC MC145152P2 ESD	1.0 EA	U011
382 1122 000	*IC NE5205A ESD	2.0 EA	U001 U019
382 1126 000	IC 78L12A ESD	2.0 EA	U003 U006
382 1200 000	*IC MAR-8 ESD	1.0 EA	U016
382 1215 000	IC 74AS163 ESD	2.0 EA	U008 U009
383 0052 000	*NO LONGER AVAILABLE,	1.0 EA	U002
384 0205 000	DIODE SILICON 1N914/4148 ESD	20.0 EA	CR012 CR013 CR014 CR015 CR016 CR017 CR018 CR019 CR020 CR021 CR022 CR023 CR024 CR025 CR026 CR027 CR028 CR029 CR030 CR031
384 0321 000	*DIODE 5082-2800 ESD	2.0 EA	CR010 CR011
384 0355 000	DIODE HP5082-3081/A5S139 ESD	1.0 EA	CR009
384 0611 000	LED, RED ESD	1.0 EA	DS001
384 0720 000	TRANSZORB 1N6377 15V 5W ESD	2.0 EA	CR007 CR008

404 0509 000	SOCKET, DIP, 28 PIN (DL)	1.0 EA	XU011
404 0673 000	SOCKET, DIP, 8 PIN (DL)	5.0 EA	XU001 XU010 XU013 XU014 XU019
404 0674 000	SOCKET, DIP, 14 PIN (DL)	3.0 EA	XU012 XU017 XU018
404 0675 000	SOCKET, DIP, 16 PIN (DL)	2.0 EA	XU008 XU009
492 0636 000	COIL, VAR .366-.627UH	1.0 EA	L003
492 0765 000	FIXED RF INDUCTOR 345NH	4.0 EA	L006 L007 L009 L010
494 0393 000	CHOKER RF 5.60UH	1.0 EA	L008
494 0394 000	CHOKER 6.80UH	2.0 EA	L001 L002
494 0446 000	CHOKER POWER LINE 100UH	2.0 EA	L004 L005
506 0232 000	CAP .01UF 100V 5%	3.0 EA	C043 C044 C057
506 0244 000	CAP .22UF 63V 5%	2.0 EA	C089 C091
506 0246 000	CAP 0.47UF 63V 5%	1.0 EA	C038
508 0529 000	CAP .01 UF 63VDCW	1.0 EA	C050
516 0453 000	CAP .1UF 100V 20% X7R	25.0 EA	C012 C017 C019 C021 C022 C026 C028 C030 C032 C034 C035 C037 C046 C047 C051 C052 C058 C059 C061 C073 C088 C100 C105 C106 C107
516 0521 000	CAP 4.7UF 50V 20%	2.0 EA	C039 C040
516 0530 000	CAP .01UF 10% 100V X7R	20.0 EA	C001 C010 C011 C013 C014 C015 C016 C018 C020 C023 C024 C025 C027 C054 C055 C056 C060 C062 C063 C065
516 0736 000	CAP .001UF 10% 100V X7R	28.0 EA	C009 C036 C041 C042 C064 C071 C072 C074 C075 C076 C077 C078 C079 C080 C081 C082 C083 C084 C085 C086 C093 C094 C095 C096 C097 C098 C099 C104
516 0767 000	CAP 15PF 5% 100V C0G	2.0 EA	C048 C049
516 0775 000	CAP 68PF 5% 100V C0G	1.0 EA	C004
516 0777 000	CAP 100PF 5% 100V C0G	1.0 EA	C003
516 0778 000	CAP 120PF 5% 100V C0G	4.0 EA	C066 C068 C101 C103
516 0780 000	CAP 180PF 5% 100V C0G	3.0 EA	C006 C067 C102
516 0782 000	CAP 270PF 5% 100V C0G	1.0 EA	C007
516 0783 000	CAP 330PF 5% 100V C0G	2.0 EA	C005 C053
516 0862 000	CAP 680PF 5% 100V C0G	1.0 EA	C002
516 0953 000	CAP 1.000UF 10% 50V	1.0 EA	C087
522 0417 000	CAP 1000UF 25VDC	2.0 EA	C029 C031
522 0548 000	CAP 10UF 50V 20%	1.0 EA	C033
522 0572 000	CAP 3.3UF 50V 20%	2.0 EA	C090 C092
526 0311 000	CAP 2.2UF 35V 10%	3.0 EA	C045 C069 C070
526 0358 000	CAP 22UF 35V 10%	1.0 EA	C008
528 0036 000	DIODE VARACTOR KV3901	6.0 EA	CR001 CR002 CR003 CR004 CR005 CR006
540 1342 000	RES NETWORK 10K OHM	1.0 EA	R062
548 2400 101	RES 10 OHM 1/2W 1%	1.0 EA	R006
548 2400 109	RES 12.1 OHM 1/2W 1%	1.0 EA	R060
548 2400 139	RES 24.9 OHM 1/2W 1%	2.0 EA	R082 R084
548 2400 166	RES 47.5 OHM 1/2W 1%	2.0 EA	R047 R096
548 2400 169	RES 51.1 OHM 1/2W 1%	2.0 EA	R011 R085
548 2400 183	RES 71.5 OHM 1/2W 1%	1.0 EA	R046
548 2400 185	RES 75 OHM 1/2W 1%	1.0 EA	R015
548 2400 193	RES 90.9 OHM 1/2W 1%	2.0 EA	R012 R013
548 2400 201	RES 100 OHM 1/2W 1%	3.0 EA	R008 R014 R026
548 2400 218	RES 150 OHM 1/2W 1%	2.0 EA	R034 R035
548 2400 230	RES 200 OHM 1/2W 1%	2.0 EA	R057 R089
548 2400 247	RES 301 OHM 1/2W 1%	1.0 EA	R036
548 2400 262	RES 432 OHM 1/2W 1%	2.0 EA	R058 R059
548 2400 266	RES 475 OHM 1/2W 1%	3.0 EA	R007 R051 R095

548 2400 269	RES 511 OHM 1/2W 1%	3.0 EA	R041 R069 R078
548 2400 281	RES 681 OHM 1/2W 1%	1.0 EA	R048
548 2400 301	RES 1K OHM 1/2W 1%	8.0 EA	R001 R003 R016 R018 R024 R070 R081 R097
548 2400 318	RES 1.5K OHM 1/2W 1%	1.0 EA	R009
548 2400 321	RES 1.62K OHM 1/2W 1%	1.0 EA	R004
548 2400 334	RES 2.21K OHM 1/2W 1%	3.0 EA	R002 R061 R071
548 2400 342	RES 2.67K OHM 1/2W 1%	2.0 EA	R021 R022
548 2400 347	RES 3.01K OHM 1/2W 1%	1.0 EA	R100
548 2400 351	RES 3.32K OHM 1/2W 1%	3.0 EA	R005 R010 R056
548 2400 354	RES 3.57K OHM 1/2W 1%	1.0 EA	R023
548 2400 358	RES 3.92K OHM 1/2W 1%	1.0 EA	R098
548 2400 366	RES 4.75K OHM 1/2W 1%	6.0 EA	R017 R019 R020 R032 R033 R055
548 2400 369	RES 5.11K OHM 1/2W 1%	2.0 EA	R043 R045
548 2400 386	RES 7.68K OHM 1/2W 1%	2.0 EA	R042 R044
548 2400 401	RES 10K OHM 1/2W 1%	15.0 EA	R038 R039 R040 R054 R063 R079 R083 R086 R087 R088 R090 R091 R092 R093 R094
548 2400 426	RES 18.2K OHM 1/2W 1%	1.0 EA	R099
548 2400 462	RES 43.2K OHM 1/2W 1%	1.0 EA	R027
548 2400 468	RES 49.9K OHM 1/2W 1%	2.0 EA	R065 R066
548 2400 469	RES 51.1K OHM 1/2W 1%	1.0 EA	R025
548 2400 485	RES 75K OHM 1/2W 1%	2.0 EA	R074 R076
548 2400 489	RES 82.5K OHM 1/2W 1%	2.0 EA	R049 R050
548 2400 501	RES 100K OHM 1/2W 1%	3.0 EA	R064 R068 R073
548 2400 518	RES 150K OHM 1/2W 1%	1.0 EA	R077
548 2400 526	RES 182K OHM 1/2W 1%	2.0 EA	R030 R031
548 2400 530	RES 200K OHM 1/2W 1%	2.0 EA	R067 R075
548 2400 534	RES 221K OHM 1/2W 1%	1.0 EA	R052
548 2400 554	RES 357K OHM 1/2W 1%	2.0 EA	R028 R029
550 0966 000	TRIMPOT 2K OHM 1/2W 10%	1.0 EA	R053
550 0970 000	TRIMPOT 1K OHM 1/2W 10%	1.0 EA	R037
550 1060 000	TRIMPOT 50K OHM 1/2W 10%	2.0 EA	R072 R080
610 0900 000	HEADER 3 CKT STRAIGHT	2.0 EA	JP004 JP005
610 0933 000	JUMPER, PWB TEST POINT	9.0 EA	TP001 TP002 TP003 TP004 TP005 TP006 TP007 TP008 TP009
612 1184 000	SHUNT JUMPER 0.1" CENTERS	2.0 EA	1/JP004 1/JP005
620 0700 000	*RECPT, MALE SMB,PC MOUNT	2.0 EA	J002 J003
843 5285 381	SCH, SOUND CH-2 BOARD	0.0 EA	
843 5285 383	PWB, SOUND CH-2 BOARD	1.0 EA	
939 7900 113	SHIELD, PC BOARD	1.0 EA	
943 4999 176	COVER, PC BD	1.0 EA	
999 2853 001	HARDWARE LIST, PWA, AURAL CH-2	1.0 EA	

Table 7-31. KIT, SOUND, NICAM - 992 9024 013

<i>Harris PN</i>	<i>Description</i>	<i>QTY UM</i>	<i>Reference Designators (B)</i>
358 0950 000	GUIDE. CARD 4.5 IN L	2.0 EA	
620 1563 000	POWER SPLITTER	1.0 EA	HY2
620 2827 000	SPLITTER/COMBINER, 3-WAY	1.0 EA	
839 7994 252	WIRING DIAG, EXCITER,	0.0 EA	
917 2100 498	CABLE EXC 5" W2	1.0 EA	W002
917 2100 500	CABLE EXC 8" W4	4.0 EA	W004
917 2100 502	CABLE EXC 9" W6	3.0 EA	W006
917 2100 503	CABLE EXC 10" W7	2.0 EA	W007
917 2100 505	CABLE EXC 13" W9	2.0 EA	W009
917 2100 508	CABLE, PFC 15" W16	1.0 EA	

917 2100 789	CABLE EXC 14" W35	2.0 EA	W035
917 2100 790	CABLE ASSY, RIBBON 10C	1.0 EA	
917 2100 821	CABLE, 14", W36	1.0 EA	W036
943 4999 686	COVER TOP FRONT, MALAYSIA	1.0 EA	
943 5275 036	PANEL REAR EXCITER, HTEL	1.0 EA	
943 5285 204	BRACKET, PCB SLIDE MTG	1.0 EA	
992 8293 001	PWB AURAL LINEARIZATION	1.0 EA	
992 8334 002	CMR FILTER DUAL SOUND	1.0 EA	
992 9012 001	PWA,AURAL CH1 SYNTHESIZER	1.0 EA	
992 9015 001	PWA, DUAL CARR PWR DETECT	1.0 EA	

Table 7-32. KIT, SOUND, DUAL CARRIER - 992 9024 014

<i>Harris PN</i>	<i>Description</i>	<i>QTY UM</i>	<i>Reference Designators (B)</i>
358 0950 000	GUIDE, CARD 4.5 IN L	2.0 EA	
620 2827 000	SPLITTER/COMBINER, 3-WAY	1.0 EA	
917 2100 497	CABLE, EXC 3-1/2" W1	2.0 EA	W001
917 2100 498	CABLE EXC 5" W2	1.0 EA	
917 2100 499	CABLE EXC 7" W3	1.0 EA	
917 2100 500	CABLE EXC 8" W4	1.0 EA	W004
917 2100 502	CABLE EXC 9" W6	4.0 EA	W006
917 2100 503	CABLE EXC 10" W7	4.0 EA	W007
917 2100 505	CABLE EXC 13" W9	2.0 EA	W009
917 2100 789	CABLE EXC 14" W35	1.0 EA	W035
917 2100 790	CABLE ASSY, RIBBON 10C	1.0 EA	
943 5285 193	COVER EXC DUAL SOUND,HTEL	1.0 EA	
943 5285 204	BRACKET, PCB SLIDE MTG	1.0 EA	
943 5285 420	PANEL, EXCITER REAR	1.0 EA	
992 8293 001	PWB AURAL LINEARIZATION	1.0 EA	
992 8334 002	CMR FILTER DUAL SOUND	1.0 EA	
992 9012 002	PWA,AURAL CONV CH1 41.25MHZ IF	1.0 EA	
992 9015 001	PWA, DUAL CARR PWR DETECT	1.0 EA	
992 9035 002	PWA,AURAL CONV CH2 41.025MHZ	1.0 EA	

Table 7-33. PWA,AURAL CONV CH1 41.25MHZ IF - 992 9012 002

<i>Harris PN</i>	<i>Description</i>	<i>QTY UM</i>	<i>Reference Designators (C)</i>
358 1881 000	EJECTOR KIT CARD	2.0 EA	
358 1928 000	JUMPER 1/4 LG 1/8H	19.0 EA	
380 0189 000	XSTR, NPN 2N3904 ESD	3.0 EA	Q003 Q004 Q005
380 0707 000	XSTR, NPN BFR96 ESD	2.0 EA	Q001 Q002
382 0428 000	IC, LM358 ESD	1.0 EA	U014
382 0594 000	*IC TL074ACN ESD	3.0 EA	U012 U017 U018
382 0749 000	IC NE5532A ESD	2.0 EA	U010 U013
382 0905 000	IC, 78L08/78L82 ESD	6.0 EA	U004 U005 U007 U009 U015 U020
382 0907 000	IC MC145152P2 ESD	1.0 EA	U011
382 1122 000	*IC NE5205A ESD	2.0 EA	U001 U019
382 1126 000	IC 78L12A ESD	2.0 EA	U003 U006
382 1200 000	*IC MAR-8 ESD	1.0 EA	U016
383 0346 000	*IC, MC12019 ESD	2.0 EA	U2 U8
384 0205 000	DIODE SILICON 1N914/4148 ESD	16.0 EA	CR012 CR013 CR014 CR015 CR016 CR017 CR018 CR019 CR020 CR021 CR022 CR023 CR024 CR025 CR026 CR027
384 0321 000	*DIODE 5082-2800 ESD	2.0 EA	CR010 CR011

384 0355 000	DIODE HP5082-3081/A5S139 ESD	1.0 EA	CR009
384 0611 000	LED, RED ESD	1.0 EA	DS001
384 0720 000	TRANSZORB 1N6377 15V 5W ESD	2.0 EA	CR007 CR008
404 0509 000	SOCKET, DIP, 28 PIN (DL)	1.0 EA	XU011
404 0673 000	SOCKET, DIP, 8 PIN (DL)	7.0 EA	XU001 XU002 XU008 XU010 XU013 XU014 XU019
404 0674 000	SOCKET, DIP, 14 PIN (DL)	3.0 EA	XU012 XU017 XU018
404 0873 000	SOCKET ADAPTER SOIC8-DIP8	2.0 EA	XU002 XU008
492 0636 000	COIL, VAR .366-.627UH	1.0 EA	L003
492 0753 000	FIXED RF INDUCTOR 235NH	4.0 EA	L006 L007 L009 L010
494 0393 000	CHOKER RF 5.60UH	1.0 EA	L008
494 0394 000	CHOKER 6.80UH	2.0 EA	L001 L002
494 0446 000	CHOKER POWER LINE 100UH	2.0 EA	L004 L005
500 1296 000	CAP 430PF 100V 5%	1.0 EA	C053
506 0232 000	CAP .01UF 100V 5%	3.0 EA	C043 C044 C057
506 0244 000	CAP .22UF 63V 5%	2.0 EA	C089 C091
508 0529 000	CAP .01 UF 63VDCW	1.0 EA	C050
516 0453 000	CAP .1UF 100V 20% X7R	17.0 EA	C012 C017 C019 C021 C026 C028 C030 C032 C036 C046 C047 C051 C052 C058 C059 C061 C100
516 0530 000	CAP .01UF 10% 100V X7R	23.0 EA	C001 C010 C011 C013 C014 C015 C016 C018 C020 C023 C024 C025 C027 C035 C037 C038 C054 C055 C056 C060 C062 C063 C065
516 0725 000	CAP 1.0UF 50V 20%	1.0 EA	C034
516 0736 000	CAP .001UF 10% 100V X7R	26.0 EA	C009 C064 C071 C072 C073 C074 C075 C076 C077 C078 C079 C080 C081 C082 C083 C084 C085 C086 C093 C094 C095 C096 C097 C098 C099 C104
516 0767 000	CAP 15PF 5% 100V C0G	2.0 EA	C048 C049
516 0775 000	CAP 68PF 5% 100V C0G	1.0 EA	C004
516 0776 000	CAP 82PF 5% 100V C0G	4.0 EA	C066 C068 C101 C103
516 0777 000	CAP 100PF 5% 100V C0G	1.0 EA	C003
516 0779 000	CAP 150PF 5% 100V C0G	2.0 EA	C067 C102
516 0780 000	CAP 180PF 5% 100V C0G	1.0 EA	C006
516 0782 000	CAP 270PF 5% 100V C0G	1.0 EA	C007
516 0783 000	CAP 330PF 5% 100V C0G	1.0 EA	C005
516 0786 000	CAP 560PF 5% 100V C0G	2.0 EA	C041 C042
516 0862 000	CAP 680PF 5% 100V C0G	1.0 EA	C002
522 0417 000	CAP 1000UF 25VDC	2.0 EA	C029 C031
522 0524 000	CAP 10 UF 100V 20% NON-POLAR	4.0 EA	C039 C040 C087 C088
522 0548 000	CAP 10UF 50V 20%	1.0 EA	C033
522 0572 000	CAP 3.3UF 50V 20%	2.0 EA	C090 C092
526 0311 000	CAP 2.2UF 35V 10%	3.0 EA	C045 C069 C070
526 0358 000	CAP 22UF 35V 10%	1.0 EA	C008
528 0036 000	DIODE VARACTOR KV3901	6.0 EA	CR001 CR002 CR003 CR004 CR005 CR006
540 1342 000	RES NETWORK 10K OHM	1.0 EA	R062
548 2400 101	RES 10 OHM 1/2W 1%	1.0 EA	R006
548 2400 109	RES 12.1 OHM 1/2W 1%	1.0 EA	R060
548 2400 139	RES 24.9 OHM 1/2W 1%	3.0 EA	R082 R083 R084
548 2400 166	RES 47.5 OHM 1/2W 1%	2.0 EA	R046 R047
548 2400 169	RES 51.1 OHM 1/2W 1%	2.0 EA	R011 R085
548 2400 185	RES 75 OHM 1/2W 1%	1.0 EA	R015
548 2400 193	RES 90.9 OHM 1/2W 1%	2.0 EA	R012 R013
548 2400 201	RES 100 OHM 1/2W 1%	4.0 EA	R008 R014 R025 R026
548 2400 218	RES 150 OHM 1/2W 1%	2.0 EA	R034 R035

548 2400 230	RES 200 OHM 1/2W 1%	1.0 EA	R057
548 2400 247	RES 301 OHM 1/2W 1%	1.0 EA	R036
548 2400 262	RES 432 OHM 1/2W 1%	2.0 EA	R058 R059
548 2400 266	RES 475 OHM 1/2W 1%	2.0 EA	R007 R051
548 2400 269	RES 511 OHM 1/2W 1%	3.0 EA	R041 R069 R078
548 2400 281	RES 681 OHM 1/2W 1%	1.0 EA	R048
548 2400 301	RES 1K OHM 1/2W 1%	7.0 EA	R001 R003 R016 R018 R024 R070 R081
548 2400 318	RES 1.5K OHM 1/2W 1%	1.0 EA	R009
548 2400 321	RES 1.62K OHM 1/2W 1%	1.0 EA	R004
548 2400 334	RES 2.21K OHM 1/2W 1%	3.0 EA	R002 R061 R071
548 2400 342	RES 2.67K OHM 1/2W 1%	2.0 EA	R021 R022
548 2400 351	RES 3.32K OHM 1/2W 1%	2.0 EA	R005 R010
548 2400 354	RES 3.57K OHM 1/2W 1%	1.0 EA	R023
548 2400 366	RES 4.75K OHM 1/2W 1%	4.0 EA	R017 R019 R020 R055
548 2400 369	RES 5.11K OHM 1/2W 1%	2.0 EA	R043 R045
548 2400 373	RES 5.62K OHM 1/2W 1%	2.0 EA	R030 R031
548 2400 381	RES 6.81K OHM 1/2W 1%	1.0 EA	R056
548 2400 386	RES 7.68K OHM 1/2W 1%	2.0 EA	R042 R044
548 2400 401	RES 10K OHM 1/2W 1%	5.0 EA	R038 R039 R040 R054 R079
548 2400 466	RES 47.5K OHM 1/2W 1%	2.0 EA	R032 R033
548 2400 468	RES 49.9K OHM 1/2W 1%	2.0 EA	R065 R066
548 2400 469	RES 51.1K OHM 1/2W 1%	1.0 EA	R027
548 2400 485	RES 75K OHM 1/2W 1%	2.0 EA	R074 R076
548 2400 489	RES 82.5K OHM 1/2W 1%	2.0 EA	R049 R050
548 2400 501	RES 100K OHM 1/2W 1%	3.0 EA	R064 R068 R073
548 2400 518	RES 150K OHM 1/2W 1%	1.0 EA	R077
548 2400 530	RES 200K OHM 1/2W 1%	2.0 EA	R067 R075
548 2400 534	RES 221K OHM 1/2W 1%	1.0 EA	R052
548 2400 547	RES 301K OHM 1/2W 1%	2.0 EA	R028 R029
550 0966 000	TRIMPOT 2K OHM 1/2W 10%	1.0 EA	R053
550 0970 000	TRIMPOT 1K OHM 1/2W 10%	1.0 EA	R037
550 1060 000	TRIMPOT 50K OHM 1/2W 10%	2.0 EA	R072 R080
610 0900 000	HEADER 3 CKT STRAIGHT	2.0 EA	J004 J005
610 0933 000	JUMPER, PWB TEST POINT	9.0 EA	TP001 TP002 TP003 TP004 TP005 TP006 TP007 TP008 TP009
612 1184 000	SHUNT JUMPER 0.1" CENTERS	2.0 EA	#J004 #J005
620 0700 000	*RECPT, MALE SMB,PC MOUNT	3.0 EA	J001 J002 J003
839 7900 706	SCH, AUR CH1 SYNTHESIZER	0.0 EA	
843 4999 657	PWB, AUR CH1 SYNTHESIZER	1.0 EA	
939 7900 113	SHIELD, PC BOARD	1.0 EA	
943 4999 176	COVER, PC BD	1.0 EA	

Table 7-34. PWA,AURAL CONV CH2 41.025MHZ - 992 9035 002

<i>Harris PN</i>	<i>Description</i>	<i>QTY UM</i>	<i>Reference Designators (A)</i>
358 1881 000	EJECTOR KIT CARD	1.0 EA	
358 3383 000	JUMPER, 0.1" LG, 0.125" H	28.0 EA	JP001 008A 008B 008C 008D 009E 009F 009G 009H A000 A001 A002 A003 A004 A005 N000 N001 N002 N003 N004 N005 N006 N007 N008 N009 RA000 RA001 RA002
380 0189 000	XSTR, NPN 2N3904 ESD	4.0 EA	Q003 Q004 Q005 Q006
380 0707 000	XSTR, NPN BFR96 ESD	2.0 EA	Q001 Q002
380 0726 000	XSTR, 2N7000 ESD	1.0 EA	Q007
382 0428 000	IC, LM358 ESD	1.0 EA	U014
382 0594 000	*IC TL074ACN ESD	3.0 EA	U012 U017 U018

382 0749 000	IC NE5532A ESD	2.0 EA	U010 U013
382 0882 000	IC, 78L05A ESD	1.0 EA	U007
382 0905 000	IC, 78L08/78L82 ESD	4.0 EA	U004 U005 U015 U020
382 0907 000	IC MC145152P2 ESD	1.0 EA	U011
382 1122 000	*IC NE5205A ESD	2.0 EA	U001 U019
382 1126 000	IC 78L12A ESD	2.0 EA	U003 U006
382 1200 000	*IC MAR-8 ESD	1.0 EA	U016
382 1215 000	IC 74AS163 ESD	2.0 EA	U008 U009
383 0052 000	*NO LONGER AVAILABLE,	1.0 EA	U002
384 0205 000	DIODE SILICON 1N914/4148 ESD	20.0 EA	CR012 CR013 CR014 CR015 CR016 CR017 CR018 CR019 CR020 CR021 CR022 CR023 CR024 CR025 CR026 CR027 CR028 CR029 CR030 CR031
384 0321 000	*DIODE 5082-2800 ESD	2.0 EA	CR010 CR011
384 0355 000	DIODE HP5082-3081/A5S139 ESD	1.0 EA	CR009
384 0611 000	LED, RED ESD	1.0 EA	DS001
384 0720 000	TRANSZORB 1N6377 15V 5W ESD	2.0 EA	CR007 CR008
404 0509 000	SOCKET, DIP, 28 PIN (DL)	1.0 EA	XU011
404 0673 000	SOCKET, DIP, 8 PIN (DL)	5.0 EA	XU001 XU010 XU013 XU014 XU019
404 0674 000	SOCKET, DIP, 14 PIN (DL)	3.0 EA	XU012 XU017 XU018
404 0675 000	SOCKET, DIP, 16 PIN (DL)	2.0 EA	XU008 XU009
492 0636 000	COIL, VAR .366-.627UH	1.0 EA	L003
492 0753 000	FIXED RF INDUCTOR 235NH	4.0 EA	L006 L007 L009 L010
494 0393 000	CHOKER RF 5.60UH	1.0 EA	L008
494 0394 000	CHOKER 6.80UH	2.0 EA	L001 L002
494 0446 000	CHOKER POWER LINE 100UH	2.0 EA	L004 L005
506 0232 000	CAP .01UF 100V 5%	3.0 EA	C043 C044 C057
506 0244 000	CAP .22UF 63V 5%	2.0 EA	C089 C091
506 0246 000	CAP 0.47UF 63V 5%	1.0 EA	C038
508 0529 000	CAP .01 UF 63VDCW	1.0 EA	C050
516 0453 000	CAP .1UF 100V 20% X7R	25.0 EA	C012 C017 C019 C021 C022 C026 C028 C030 C032 C034 C035 C037 C046 C047 C051 C052 C058 C059 C061 C073 C088 C100 C105 C106 C107
516 0521 000	CAP 4.7UF 50V 20%	2.0 EA	C039 C040
516 0530 000	CAP .01UF 10% 100V X7R	20.0 EA	C001 C010 C011 C013 C014 C015 C016 C018 C020 C023 C024 C025 C027 C054 C055 C056 C060 C062 C063 C065
516 0736 000	CAP .001UF 10% 100V X7R	28.0 EA	C009 C036 C041 C042 C064 C071 C072 C074 C075 C076 C077 C078 C079 C080 C081 C082 C083 C084 C085 C086 C093 C094 C095 C096 C097 C098 C099 C104
516 0767 000	CAP 15PF 5% 100V C0G	2.0 EA	C048 C049
516 0775 000	CAP 68PF 5% 100V C0G	1.0 EA	C004
516 0776 000	CAP 82PF 5% 100V C0G	4.0 EA	C066 C068 C101 C103
516 0777 000	CAP 100PF 5% 100V C0G	1.0 EA	C003
516 0779 000	CAP 150PF 5% 100V C0G	2.0 EA	C067 C102
516 0780 000	CAP 180PF 5% 100V C0G	1.0 EA	C006
516 0782 000	CAP 270PF 5% 100V C0G	1.0 EA	C007
516 0783 000	CAP 330PF 5% 100V C0G	2.0 EA	C005 C053
516 0862 000	CAP 680PF 5% 100V C0G	1.0 EA	C002
516 0953 000	CAP 1.000UF 10% 50V	1.0 EA	C087
522 0417 000	CAP 1000UF 25VDC	2.0 EA	C029 C031
522 0548 000	CAP 10UF 50V 20%	1.0 EA	C033
522 0572 000	CAP 3.3UF 50V 20%	2.0 EA	C090 C092

526 0311 000	CAP 2.2UF 35V 10%	3.0 EA	C045 C069 C070
526 0358 000	CAP 22UF 35V 10%	1.0 EA	C008
528 0036 000	DIODE VARACTOR KV3901	6.0 EA	CR001 CR002 CR003 CR004 CR005 CR006
540 1342 000	RES NETWORK 10K OHM	1.0 EA	R062
548 2400 101	RES 10 OHM 1/2W 1%	1.0 EA	R006
548 2400 109	RES 12.1 OHM 1/2W 1%	1.0 EA	R060
548 2400 139	RES 24.9 OHM 1/2W 1%	2.0 EA	R082 R084
548 2400 166	RES 47.5 OHM 1/2W 1%	2.0 EA	R047 R096
548 2400 169	RES 51.1 OHM 1/2W 1%	2.0 EA	R011 R085
548 2400 183	RES 71.5 OHM 1/2W 1%	1.0 EA	R046
548 2400 185	RES 75 OHM 1/2W 1%	1.0 EA	R015
548 2400 193	RES 90.9 OHM 1/2W 1%	2.0 EA	R012 R013
548 2400 201	RES 100 OHM 1/2W 1%	3.0 EA	R008 R014 R026
548 2400 218	RES 150 OHM 1/2W 1%	2.0 EA	R034 R035
548 2400 230	RES 200 OHM 1/2W 1%	2.0 EA	R057 R089
548 2400 247	RES 301 OHM 1/2W 1%	1.0 EA	R036
548 2400 262	RES 432 OHM 1/2W 1%	2.0 EA	R058 R059
548 2400 266	RES 475 OHM 1/2W 1%	3.0 EA	R007 R051 R095
548 2400 269	RES 511 OHM 1/2W 1%	3.0 EA	R041 R069 R078
548 2400 281	RES 681 OHM 1/2W 1%	1.0 EA	R048
548 2400 301	RES 1K OHM 1/2W 1%	8.0 EA	R001 R003 R016 R018 R024 R070 R081 R097
548 2400 318	RES 1.5K OHM 1/2W 1%	1.0 EA	R009
548 2400 321	RES 1.62K OHM 1/2W 1%	1.0 EA	R004
548 2400 334	RES 2.21K OHM 1/2W 1%	3.0 EA	R002 R061 R071
548 2400 342	RES 2.67K OHM 1/2W 1%	2.0 EA	R021 R022
548 2400 347	RES 3.01K OHM 1/2W 1%	1.0 EA	R100
548 2400 351	RES 3.32K OHM 1/2W 1%	3.0 EA	R005 R010 R056
548 2400 354	RES 3.57K OHM 1/2W 1%	1.0 EA	R023
548 2400 358	RES 3.92K OHM 1/2W 1%	1.0 EA	R098
548 2400 366	RES 4.75K OHM 1/2W 1%	6.0 EA	R017 R019 R020 R032 R033 R055
548 2400 369	RES 5.11K OHM 1/2W 1%	2.0 EA	R043 R045
548 2400 386	RES 7.68K OHM 1/2W 1%	2.0 EA	R042 R044
548 2400 401	RES 10K OHM 1/2W 1%	15.0 EA	R038 R039 R040 R054 R063 R079 R083 R086 R087 R088 R090 R091 R092 R093 R094
548 2400 426	RES 18.2K OHM 1/2W 1%	1.0 EA	R099
548 2400 462	RES 43.2K OHM 1/2W 1%	1.0 EA	R027
548 2400 468	RES 49.9K OHM 1/2W 1%	2.0 EA	R065 R066
548 2400 469	RES 51.1K OHM 1/2W 1%	1.0 EA	R025
548 2400 485	RES 75K OHM 1/2W 1%	2.0 EA	R074 R076
548 2400 489	RES 82.5K OHM 1/2W 1%	2.0 EA	R049 R050
548 2400 501	RES 100K OHM 1/2W 1%	3.0 EA	R064 R068 R073
548 2400 518	RES 150K OHM 1/2W 1%	1.0 EA	R077
548 2400 526	RES 182K OHM 1/2W 1%	2.0 EA	R030 R031
548 2400 530	RES 200K OHM 1/2W 1%	2.0 EA	R067 R075
548 2400 534	RES 221K OHM 1/2W 1%	1.0 EA	R052
548 2400 554	RES 357K OHM 1/2W 1%	2.0 EA	R028 R029
550 0966 000	TRIMPOT 2K OHM 1/2W 10%	1.0 EA	R053
550 0970 000	TRIMPOT 1K OHM 1/2W 10%	1.0 EA	R037
550 1060 000	TRIMPOT 50K OHM 1/2W 10%	2.0 EA	R072 R080
610 0900 000	HEADER 3 CKT STRAIGHT	2.0 EA	JP004 JP005
610 0933 000	JUMPER, PWB TEST POINT	9.0 EA	TP001 TP002 TP003 TP004 TP005 TP006 TP007 TP008 TP009
612 1184 000	SHUNT JUMPER 0.1" CENTERS	2.0 EA	1/JP004 1/JP005
620 0700 000	*RECPT, MALE SMB,PC MOUNT	2.0 EA	J002 J003
843 5285 381	SCH, SOUND CH-2 BOARD	0.0 EA	

843 5285 383	PWB, SOUND CH-2 BOARD	1.0 EA
939 7900 113	SHIELD, PC BOARD	1.0 EA
943 4999 176	COVER, PC BD	1.0 EA
999 2853 001	HARDWARE LIST, PWA, AURAL CH-2	1.0 EA

Table 7-35. BASIC EXCITER, - 992 9026 003

<i>Harris PN</i>	<i>Description</i>	<i>QTY UM</i>	<i>Reference Designators (M)</i>
007 4060 029	BRZ, FINGERS TWIST 97-560	5 IN	
007 4060 077	BRZ,PH FGR STK 97-0621-02	12.0 EA	#NOTES: 24 PIECES 7.7" LG
250 0086 000	PLUG/CORD MOLDED BLACK	1.0 EA	
354 0624 000	TERMINAL, MALE	2.0 EA	
356 0208 000	CLAMP, FLAT CABLE 2"	1.0 EA	
358 0165 000	STUD 82 OVAL HEAD	8.0 EA	
358 0184 000	RETAINER 82 ALL HDS	16.0 EA	#USE WITH 1/4 TURN FASTENERS
358 1214 000	SCREWLOCK, FEMALE	1.0 EA	#J009
358 1965 000	STUD 82-11-320-16	8.0 EA	
358 2104 000	CARD GUIDE	26.0 EA	
358 2598 000	CABLE TIE MOUNT, 4-WAY	4.0 EA	
358 2613 000	RECEPTACLE, 82 LEAFSPRING	16.0 EA	
358 3283 000	SLIDE, FULL EXT DRAWER	1.0 EA	
358 3391 000	HOLDER, BATTERY,3AA CELLS	1.0 EA	1BT001
382 1636 000	MIXER W/BNC CONNECTOR ESD	1.0 EA	MX001
384 0725 000	RECT 1N5818 ESD	1.0 EA	1CR001
414 0240 000	CORE BALUN	1.0 EA	
424 0001 000	GROMMET 3/8 MTG DIA	3.0 EA	
430 0030 001	FAN 115VAC 106CFM 4.69"SQ	1.0 EA	
430 0192 000	FINGER GUARD, 119MM FAN	1.0 EA	
448 0512 000	FILTER SLIMLINE	1.0 EA	
448 0973 000	LATCH, SWELL 083 SERIES	2.0 EA	
556 0049 000	ATTEN, COAX, BNC, 6DB, 2W	1.0 EA	
610 0738 000	PLUG HOUSING	1.0 EA	
610 1113 000	PLUG/RECP, D, 37PIN	1.0 EA	
614 0158 000	TERM STRIP 2 TERM	1.0 EA	TS001
620 2109 000	JACK, BNC 75 OHM BULKHEAD	1.0 EA	
660 0061 000	*BATTERY, 1.5VDC, AA SIZE	3.0 EA	BT001
822 0900 106	LARGE WINDOW EXCITER	1.0 EA	
839 7900 463	COVER DUAL PC BD	1.0 EA	
839 7900 464	COVER END PC BD	2.0 EA	
839 7900 465	COVER SINGLE PC BD	9.0 EA	
839 7900 466	BAR FRONT	1.0 EA	
839 7900 467	BAR TOP COVER	1.0 EA	
843 4999 350	SUPPORT MTHBOARD	1.0 EA	
914 8789 002	MIXER PLATE	1.0 EA	
917 2100 208	CABLE EXC AMP	2.0 EA	W012
917 2100 497	CABLE, EXC 3-1/2" W1	2.0 EA	W001
917 2100 498	CABLE EXC 5" W2	1.0 EA	W002
917 2100 500	CABLE EXC 8" W4	2.0 EA	W004
917 2100 501	CABLE EXC 7" W5	1.0 EA	W005
917 2100 502	CABLE EXC 9" W6	5.0 EA	W006
917 2100 503	CABLE EXC 10" W7	7.0 EA	W007
917 2100 504	CABLE EXC 12" W8	1.0 EA	W008
917 2100 505	CABLE EXC 13" W9	4.0 EA	W009
917 2100 506	CABLE EXC 9" W10	2.0 EA	W010
917 2100 507	RIBBON CABLE EXC 43" W14	1.0 EA	W014

917 2100 508	CABLE, PFC 15" W16	4.0 EA	
917 2100 558	CABLE COAX 50 OHM 14"	2.0 EA	
917 2100 559	CABLE COAX 50 OHM 9"	2.0 EA	
917 2100 560	CABLE COAX 50 OHM 12"	1.0 EA	
917 2100 788	CABLE, EXC METER TO M/B	1.0 EA	W013
917 2315 185	SHIELD, PCB	1.0 EA	
917 2456 072	CABLE, VIDEO IN 11" W12	1.0 EA	CABLE, VIDEO IN 11" W12
917 2501 126	WIRE LIST, HTEL EXC	1.0 EA	
939 7900 235	TOOL, EXCITER ALIGNMENT	1.0 EA	
939 7900 488	BAR BOTTOM FRONT	2.0 EA	
939 7900 738	BAR TOP FRONT EXCITER,	1.0 EA	
943 4999 337	CAGE FRT ASSY	1.0 EA	
943 4999 338	CAGE REAR ASSY	1.0 EA	
943 4999 339	DIVIDER CARD CAGE	11.0 EA	
943 4999 356	PLATE PWR AMP ASSY	1.0 EA	
943 4999 861	CHASSIS EXCITER	1.0 EA	
943 5275 038	FRONT PANEL EXCITER NICAM	1.0 EA	
943 5285 043	COVER, EXC TOP REAR	1.0 EA	
992 8325 001	PWB, DIFF PHASE CORR.	1.0 EA	
992 8327 001	POWER SUPPLY EXT	1.0 EA	
992 8328 001	MODULE FINAL AMPL	2.0 EA	
992 8329 001	PWB, EXTENDER CARD	1.0 EA	
992 8348 001	PWB, SYNTHESIZER BD #2	1.0 EA	
992 8946 002	EXC METER/CNTRL, HTEL	1.0 EA	
992 9009 001	PWB, MOD/DELAY COMP WITH	1.0 EA	
992 9010 001	PWB, LIN/QUAD CORR. WITH	1.0 EA	
992 9017 001	PWA, EXCITER MOTHERBOARD	1.0 EA	
992 9564 001	*PWA, VIDEO BOARD W/VIDEO	1.0 EA	

Table 7-36. PWB, DIFF PHASE CORR. - 992 8325 001

<i>Harris PN</i>	<i>Description</i>	<i>QTY UM</i>	<i>Reference Designators (N)</i>
358 1881 000	EJECTOR KIT CARD	1.0 EA	
380 0086 000	XSTR, 2N4391 ESD	2.0 EA	Q005 Q013
380 0189 000	XSTR, NPN 2N3904 ESD	1.0 EA	Q006
380 0190 000	XSTR, PNP 2N3906 ESD	5.0 EA	Q008 Q009 Q010 Q011 Q012
380 0246 000	XSTR, 2N2219A ESD	5.0 EA	Q001 Q002 Q003 Q007 Q015
380 0558 000	XSTR, 2N5566 ESD	2.0 EA	Q004 Q014
382 0366 000	IC, MC14528BCP ESD	1.0 EA	U006
382 0371 000	IC, MC7912CT ESD	1.0 EA	U003
382 0406 000	IC, MC7812CT ESD	1.0 EA	U002
382 0440 000	IC, 3083 ESD	1.0 EA	U001
382 0452 000	IC, LM311/CA311 ESD	1.0 EA	U005
382 0947 000	IC, SE5534 ESD	1.0 EA	U004
384 0205 000	DIODE SILICON 1N914/4148 ESD	6.0 EA	CR011 CR012 CR013 CR014 CR015 CR016
384 0321 000	*DIODE 5082-2800 ESD	4.0 EA	CR017 CR018 CR019 CR020
384 0431 000	RECT. 1N4001 ESD	3.0 EA	CR006 CR009 CR010
384 0659 000	DIODE HP5082-2811/A2S811 ESD	5.0 EA	CR001 CR002 CR003 CR004 CR005
384 0720 000	TRANSZORB 1N6377 15V 5W ESD	2.0 EA	CR007 CR008
404 0198 000	SPACER TO-5, TO-9, TO-11	5.0 EA	#Q001 #Q002 #Q003 #Q007 #Q015
404 0660 000	HEAT SINK	2.0 EA	XQ004 XQ014
404 0673 000	SOCKET, DIP, 8 PIN (DL)	2.0 EA	#U004 #U005
404 0675 000	SOCKET, DIP, 16 PIN (DL)	2.0 EA	#U001 #U006
494 0398 000	CHOKE RF 10.0UH +/- 10%	1.0 EA	L002
494 0413 000	CHOKE RF 330.0UH	2.0 EA	L001 L003

500 0817 000	CAP, MICA, 47PF 500V 5%	2.0 EA	C027 C036
500 0842 000	CAP, MICA, 820PF 300V 5%	1.0 EA	C033
508 0412 000	CAP .047UF 200V 5%	2.0 EA	C014 C045
508 0558 000	CAP TRIMMER 5-60 PF	1.0 EA	C001
508 0559 000	CAP TRIMMER 3.5 - 38 PF	1.0 EA	C048
516 0453 000	CAP .1UF 100V 20% X7R	13.0 EA	C020 C026 C028 C029 C031 C032 C034 C035 C037 C040 C041 C042 C049
516 0736 000	CAP .001UF 10% 100V X7R	2.0 EA	C015 C016
522 0548 000	CAP 10UF 50V 20%	6.0 EA	C022 C024 C025 C030 C038 C039
522 0550 000	CAP 100UF 25V 20%	19.0 EA	C002 C003 C004 C005 C006 C007 C008 C009 C010 C011 C012 C013 C017 C018 C019 C043 C044 C046 C047
522 0574 000	CAP 22UF 50V 20%	2.0 EA	C021 C023
540 0326 000	*RES 560 OHM 1W 10%	2.0 EA	R066 R110
548 2400 047	RES 3.01 OHM 1/2W 1%	2.0 EA	R053 R054
548 2400 166	RES 47.5 OHM 1/2W 1%	9.0 EA	R002 R011 R012 R034 R061 R064 R068 R087 R107
548 2400 185	RES 75 OHM 1/2W 1%	7.0 EA	R039 R040 R067 R073 R105 R106 R109
548 2400 201	RES 100 OHM 1/2W 1%	8.0 EA	R008 R009 R037 R041 R043 R099 R101 R103
548 2400 209	RES 121 OHM 1/2W 1%	2.0 EA	R065 R108
548 2400 230	RES 200 OHM 1/2W 1%	1.0 EA	R035
548 2400 247	RES 301 OHM 1/2W 1%	2.0 EA	R006 R007
548 2400 266	RES 475 OHM 1/2W 1%	2.0 EA	R038 R104
548 2400 269	RES 511 OHM 1/2W 1%	1.0 EA	R017
548 2400 273	RES 562 OHM 1/2W 1%	1.0 EA	R005
548 2400 285	RES 750 OHM 1/2W 1%	6.0 EA	R018 R019 R020 R052 R059 R063
548 2400 301	RES 1K OHM 1/2W 1%	16.0 EA	R013 R014 R015 R016 R026 R027 R028 R029 R031 R032 R036 R047 R049 R056 R058 R102
548 2400 309	RES 1.21K OHM 1/2W 1%	2.0 EA	R004 R033
548 2400 318	RES 1.5K OHM 1/2W 1%	1.0 EA	R071
548 2400 330	RES 2K OHM 1/2W 1%	3.0 EA	R062 R069 R088
548 2400 342	RES 2.67K OHM 1/2W 1%	1.0 EA	R077
548 2400 347	RES 3.01K OHM 1/2W 1%	1.0 EA	R072
548 2400 354	RES 3.57K OHM 1/2W 1%	1.0 EA	R083
548 2400 358	RES 3.92K OHM 1/2W 1%	1.0 EA	R080
548 2400 366	RES 4.75K OHM 1/2W 1%	8.0 EA	R024 R025 R030 R050 R055 R079 R081 R086
548 2400 401	RES 10K OHM 1/2W 1%	9.0 EA	R001 R003 R010 R042 R070 R074 R075 R076 R100
548 2400 418	RES 15K OHM 1/2W 1%	1.0 EA	R082
548 2400 466	RES 47.5K OHM 1/2W 1%	1.0 EA	R085
548 2400 530	RES 200K OHM 1/2W 1%	1.0 EA	R078
550 0628 000	POT 10K OHM .5W 10%	5.0 EA	R021 R022 R023 R051 R060
550 0865 000	POT 1K OHM 1/2W 10%	1.0 EA	R084
550 0899 000	POT 2K OHM 1/2W	5.0 EA	R044 R045 R046 R048 R057
604 0859 000	SW, TGL DPDT	1.0 EA	S001
610 0900 000	HEADER 3 CKT STRAIGHT	1.0 EA	J001
610 0933 000	JUMPER, PWB TEST POINT	8.0 EA	TP001 TP002 TP003 TP004 TP005 TP006 TP007 TP008
612 1184 000	SHUNT JUMPER 0.1" CENTERS	1.0 EA	P001
620 0700 000	*RECPT, MALE SMB,PC MOUNT	1.0 EA	J002
839 7900 490	SCHEM DIFF PHASE CORR	0.0 EA	
843 4999 363	PWB, DIFF PHASE	1.0 EA	
999 2562 001	HARDWARE LIST	1.0 EA	

Table 7-37. POWER SUPPLY EXT - 992 8327 001

<i>Harris PN</i>	<i>Description</i>	<i>QTY UM</i>	<i>Reference Designators (J)</i>
354 0624 000	TERMINAL, MALE	10.0 EA	
354 0749 000	TERM FOR .250 X .032 TAB	1.0 EA	
354 0793 000	LUG, .312 RING RED 22-18	5.0 EA	
358 2995 000	END PLATE, 261 TERM BD	1.0 EA	
358 3226 000	INSULATING COVER, PLASTIC	5.0 EA	
382 1031 000	IC, LM338K ESD	3.0 EA	U001 U002 U004
382 1049 000	IC, LT1033/LM333 ESD	2.0 EA	U003 U005
410 0391 000	INSULATOR TRANSISTOR T03	5.0 EA	
414 0240 000	CORE BALUN	10.0 EA	L001 L002 L003 L004 L005 L006 L007 L008 L009 L010
472 1665 000	TRANSFORMER, POWER TOROID	1.0 EA	
484 0379 000	RFI POWER LINE FILTER	1.0 EA	FL001
508 0561 000	EMI FILTER FEEDTHRU	5.0 EA	FL002 FL003 FL004 FL005 FL006
560 0036 000	MOV, 150WVAC, 80J, 20MM DISC	2.0 EA	RV001 RV002
606 0834 000	CB, 2 POLE, 4 AMP 250VAC	1.0 EA	CB001
612 0885 000	RECEPTACLE HOUSING	1.0 EA	J011
612 0978 000	HOUSING, RECPT 12 CKT	1.0 EA	
614 0786 000	TERM BD, 2C MODULAR 261	5.0 EA	#TB001
614 0787 000	TERM BD, 4C MODULAR 261	5.0 EA	#TB001
839 7900 504	SCHEM, POWER SUPPLY	0.0 EA	
917 2462 283	CABLES, EXC PWR SUPPLY	1.0 EA	
939 7900 487	COVER PWR SUPPLY - TOP	1.0 EA	
943 4999 335	COVER PWR SUPPLY	1.0 EA	
943 5285 200	PWR SUPPLY EXCITER	1.0 EA	
943 5285 201	ANGLE, FILTER MTG	1.0 EA	
992 8021 001	PWB, POWER SUPPLY	1.0 EA	

Table 7-38. PWB, POWER SUPPLY - 992 8021 001

<i>Harris PN</i>	<i>Description</i>	<i>QTY UM</i>	<i>Reference Designators (K)</i>
354 0336 000	TERMINAL, SOLDER	10.0 EA	E001 E002 E003 E004 E005 E006 E007 E008 E009 E010
354 0688 000	TERM, SOCKET, 0.093" DIA	12.0 EA	
384 0597 000	RECT 1N4002 ESD	10.0 EA	CR004 CR005 CR006 CR007 CR008 CR009 CR010 CR011 CR012 CR013
384 0702 000	RECT FW BRIDGE 600V 35A ESD	3.0 EA	CR001 CR002 CR003
404 0803 000	HEATSINK FOR BRIDGE	3.0 EA	#CR001 #CR002 #CR003
404 0804 000	TRANSISTOR SOCKET	5.0 EA	XU001 XU002 XU003 XU004 XU005
516 0453 000	CAP .1UF 100V 20% X7R	5.0 EA	C021 C022 C023 C024 C025
522 0548 000	CAP 10UF 50V 20%	5.0 EA	C006 C007 C008 C009 C010
522 0567 000	CAPACITOR 8200 MFD 16V	2.0 EA	C004 C005
522 0568 000	CAPACITOR 6800UF 50V 20%	3.0 EA	C001 C002 C003
522 0569 000	CAP 100UF 50V 20%	5.0 EA	C016 C017 C018 C019 C020
526 0318 000	CAP 10UF 35V 20%	5.0 EA	C011 C012 C013 C014 C015
540 0336 000	*RES 1.5K OHM 1W 10%	2.0 EA	R025 R026
540 0338 000	*RES 1.8K OHM 1W 10%	2.0 EA	R023 R024
540 0345 000	*RES 3.6K OHM 1W 10%	2.0 EA	R021 R022
548 2400 219	RES 154 OHM 1/2W 1%	5.0 EA	R001 R002 R003 R004 R005
548 2400 258	RES 392 OHM 1/2W 1%	2.0 EA	R009 R010
548 2400 319	RES 1.54K OHM 1/2W 1%	2.0 EA	R007 R008
548 2400 339	RES 2.49K OHM 1/2W 1%	1.0 EA	R006
550 0625 000	POT, 500 OHM .5W 10%	3.0 EA	R016 R017 R018

550 0812 000	POT 100 OHM 1/2W 10%	2.0 EA	R019 R020
610 0833 000	HOUSING, PLUG 12 POS	1.0 EA	J001
843 4999 069	PWB, POWER SUPPLY	1.0 EA	

Table 7-39. MODULE FINAL AMPL - 992 8328 001

<i>Harris PN</i>	<i>Description</i>	<i>QTY UM</i>	<i>Reference Designators (D)</i>
304 0089 000	NUT, HEX 6-32	6.0 EA	#USED AS SPACERS FOR PC BOARD TO KEEP OFF OF HEATSINK
382 0734 001	*IC, CA2830C ESD	2.0 EA	U001 U002
620 0571 000	RECEP. BNC UG535-U	2.0 EA	J001 J002
939 7900 499	BRKT GND FINAL AMP	2.0 EA	
939 7900 500	SPACER CONN/GND BRKT	2.0 EA	
943 4999 033	HEATSINK, RF AMP	1.0 EA	
943 4999 357	COVER FINAL AMP	1.0 EA	
992 7093 001	PWB, FINAL AMP	1.0 EA	
999 2567 001	HARDWARE LIST	1.0 EA	

Table 7-40. PWB, FINAL AMP - 992 7093 001

<i>Harris PN</i>	<i>Description</i>	<i>QTY UM</i>	<i>Reference Designators (R)</i>
382 0411 000	IC, PSC-2-1 ESD	2.0 EA	HY001 HY002
382 0594 000	*IC TL074ACN ESD	1.0 EA	U004
382 0746 000	IC, 79L05AC ESD	1.0 EA	U006
382 1122 000	*IC NE5205A ESD	1.0 EA	U003
382 1126 000	IC 78L12A ESD	1.0 EA	U005
384 0321 000	*DIODE 5082-2800 ESD	2.0 EA	CR005 CR006
384 0355 000	DIODE HP5082-3081/A5S139 ESD	3.0 EA	CR002 CR003 CR004
384 0720 000	TRANSZORB 1N6377 15V 5W ESD	2.0 EA	CR007 CR008
384 0838 000	TRANSZORB 1N6380 36V 5W ESD	1.0 EA	CR009
386 0081 000	ZENER 1N4729A ESD	1.0 EA	CR001
404 0673 000	SOCKET, DIP, 8 PIN (DL)	1.0 EA	XU003
404 0674 000	SOCKET, DIP, 14 PIN (DL)	1.0 EA	XU004
494 0262 000	CHOKE RF 10UH 10%	1.0 EA	L003
494 0390 000	CHOKE RF 3.30UH	2.0 EA	L001 L002
494 0398 000	CHOKE RF 10.0UH +/- 10%	1.0 EA	L004
516 0453 000	CAP .1UF 100V 20% X7R	15.0 EA	C007 C008 C009 C012 C014 C015 C016 C017 C018 C019 C023 C026 C028 C029 C030
516 0516 000	CAP 1UF 100V 20%	2.0 EA	C020 C021
516 0530 000	CAP .01UF 10% 100V X7R	11.0 EA	C001 C002 C003 C004 C005 C006 C022 C024 C025 C027 C031
526 0097 000	CAP 47UF 35V 20%	2.0 EA	C011 C013
526 0358 000	CAP 22UF 35V 10%	1.0 EA	C010
548 2400 169	RES 51.1 OHM 1/2W 1%	2.0 EA	R014 R015
548 2400 201	RES 100 OHM 1/2W 1%	1.0 EA	R017
548 2400 230	RES 200 OHM 1/2W 1%	1.0 EA	R016
548 2400 301	RES 1K OHM 1/2W 1%	3.0 EA	R004 R006 R007
548 2400 330	RES 2K OHM 1/2W 1%	1.0 EA	R002
548 2400 385	RES 7.5K OHM 1/2W 1%	1.0 EA	R001
548 2400 401	RES 10K OHM 1/2W 1%	1.0 EA	R005
548 2400 442	RES 26.7K OHM 1/2W 1%	1.0 EA	R003
548 2400 469	RES 51.1K OHM 1/2W 1%	4.0 EA	R008 R009 R010 R011
548 2400 701	RES 10MEG OHM 1/2W 1%	2.0 EA	R012 R013
610 0679 000	PLUG, SHORTING, .25" CTRS	1.0 EA	P001

610 0978 000	HDR 10C 2ROW RT ANG	1.0 EA	J003
612 0904 000	JACK, PC MT GOLD PLATED	3.0 EA	#3 PINS USED WITH P001
620 2518 000	DIR COUPLER, .5-500 MHZ	1.0 EA	DC001
839 7900 023	SCHEM, FINAL AMP	0.0 EA	
843 4999 031	PWB, FINAL AMP	1.0 EA	

Table 7-41. PWB, EXTENDER CARD - 992 8329 001

<i>Harris PN</i>	<i>Description</i>	<i>QTY UM</i>	<i>Reference Designators (C)</i>
358 1881 000	EJECTOR KIT CARD	1.0 EA	
358 2612 000	BLOCK, MOUNTING	1.0 EA	
384 0661 000	LED, GRN, T 1-3/4, RT ANG ESD	5.0 EA	DS001 DS002 DS003 DS004 DS005
540 1600 210	RES 240 OHM 3W 5%	2.0 EA	R004 R005
540 1600 222	RES 750 OHM 3W 5%	2.0 EA	R002 R003
540 1600 303	RES 1.2K OHM 3W 5%	1.0 EA	R001
610 0933 000	JUMPER, PWB TEST POINT	1.0 EA	TP001
612 1225 000	CONN, PC EDGE 28 POS DUAL	1.0 EA	J001
839 7900 172	SCHEM, EXCITER EXTENDER	0.0 EA	
843 4999 364	PWB, EXTENDER CARD	1.0 EA	

Table 7-42. PWB, SYNTHESIZER BD #2 - 992 8348 001

<i>Harris PN</i>	<i>Description</i>	<i>QTY UM</i>	<i>Reference Designators (N)</i>
358 1881 000	EJECTOR KIT CARD	1.0 EA	
358 1928 000	JUMPER 1/4 LG 1/8H	26.0 EA	
382 0411 000	IC, PSC-2-1 ESD	1.0 EA	HY001
382 0648 000	IC, LM339A ESD	1.0 EA	U001
382 0690 000	IC 10131 ESD	1.0 EA	U004
382 0907 000	IC MC145152P2 ESD	1.0 EA	U006
382 1122 000	*IC NE5205A ESD	3.0 EA	U009 U010 U020
382 1126 000	IC 78L12A ESD	1.0 EA	U003
382 1218 000	IC 1007 ESD	1.0 EA	U002
382 1219 000	IC 1028 ESD	1.0 EA	U025
382 1220 000	IC 10E016 ESD	1.0 EA	U027
382 1221 000	IC 10216 ESD	1.0 EA	U026
382 1222 000	IC 12090 ESD	2.0 EA	U028 U035
382 1223 000	IC 12013 ESD	1.0 EA	U007
382 1224 000	IC 12040 ESD	1.0 EA	U024
382 1225 000	IC, ASK-1 ESD	2.0 EA	U016 U017
382 1226 000	IC MSC-2-1W ESD	2.0 EA	U018 U032
382 1227 000	IC 12009 ESD	1.0 EA	U008
382 1229 000	IC 10198 ESD	1.0 EA	U029
382 1231 000	IC MWA-130 ESD	1.0 EA	U022
382 1232 000	IC MWA-230 ESD	2.0 EA	U033 U036
382 1233 000	IC JH-139 ESD	1.0 EA	HY003
382 1234 001	IC, MW1111 ESD	1.0 EA	U005
382 1235 001	IC, MW1112 ESD	1.0 EA	U030
382 1237 000	IC JH-113 ESD	1.0 EA	HY002
384 0205 000	DIODE SILICON 1N914/4148 ESD	3.0 EA	CR003 CR005 CR006
384 0659 000	DIODE HP5082-2811/A2S811 ESD	2.0 EA	CR001 CR002
384 0725 000	RECT 1N5818 ESD	1.0 EA	CR009
386 0078 000	ZENER, 1N4734A 5.6V ESD	1.0 EA	CR007
386 0163 000	ZENER, 1N4735A 6.2V ESD	1.0 EA	CR004
404 0198 000	SPACER TO-5, TO-9, TO-11	3.0 EA	XU022 XU033 XU036

478 0392 000	XFMR, RF MODEL T4-1	1.0 EA	T001
484 0392 000	FILTER, LOW PASS 21.4MHZ	1.0 EA	U014
492 0781 000	IND VAR 1000UH NOM	1.0 EA	L007
492 0782 000	IND VAR 3900UH NOM	2.0 EA	L005 L012
492 0783 000	IND VAR 2.2MH NOM	1.0 EA	L003
492 0784 000	IND VAR 1.5MH NOM	1.0 EA	L002
494 0238 000	CHOKER RF 39UH	1.0 EA	L004
494 0390 000	CHOKER RF 3.30UH	2.0 EA	L008 L009
494 0398 000	CHOKER RF 10.0UH +/- 10%	1.0 EA	L010
494 0418 000	CHOKER RF 820.0UH	1.0 EA	L006
494 0446 000	CHOKER POWER LINE 100UH	1.0 EA	L011
494 0467 000	IND 8.2UH 10%	1.0 EA	L001
500 1293 000	CAP 330PF 100V 5%	1.0 EA	C056
500 1295 000	CAP 390PF 100V 5%	1.0 EA	C089
500 1300 000	CAP 620PF 100V 5%	3.0 EA	C034 C054 C057
506 0231 000	CAP .0015UF 63V 5%	2.0 EA	C036 C058
506 0234 000	CAP .0022UF 100V 5%	1.0 EA	C033
506 0235 000	CAP .0033UF 100V 5%	2.0 EA	C053 C055
506 0237 000	CAP .0068UF 100V 5%	2.0 EA	C035 C037
506 0253 000	CAP .0056UF 100V 5%	2.0 EA	C010 C011
506 0263 000	CAP .0039UF 100V 5%	1.0 EA	C090
516 0417 000	CAP 1000PF 10% 200V	10.0 EA	C45 NOT INSTALLED FOR USE AT SYS M CHANNEL 11 (VIS 199.25 MHZ) C007 C008 C045 C048 C066 C072 C074 C075 C077 C078
516 0827 000	CAP 4700PF 10% 100V	1.0 EA	C040
516 0831 000	CAP 0.010UF 10% 100V	12.0 EA	C001 C006 C017 C018 C020 C025 C026 C032 C039 C047 C065 C079
516 0833 000	CAP .022UF 10% 50V	2.0 EA	C044 C046
516 0834 000	CAP 0.047UF 10% 50V	2.0 EA	C043 C051
516 0891 000	CAP 0.100UF 10% 50V	29.0 EA	C002 C003 C004 C005 C009 C012 C013 C019 C021 C022 C023 C024 C038 C041 C049 C052 C061 C062 C063 C064 C067 C073 C076 C080 C081 C082 C085 C086 C087
516 0905 000	CAP 22PF 10% 200V	1.0 EA	C068
516 0906 000	CAP 33PF 10% 200V	1.0 EA	C030
516 0909 000	CAP 100PF 10% 200V	1.0 EA	C059
522 0548 000	CAP 10UF 50V 20%	3.0 EA	C014 C042 C050
522 0550 000	CAP 100UF 25V 20%	4.0 EA	C016 C027 C070 C088
526 0050 000	CAP 1UF 35V 20%	1.0 EA	C060
526 0308 000	CAP 22UF 10V 20%	2.0 EA	C083 C084
526 0311 000	CAP 2.2UF 35V 10%	1.0 EA	C015
526 0358 000	CAP 22UF 35V 10%	1.0 EA	C071
548 2400 001	RES 1 OHM 1/2W 1%	4.0 EA	R024 R025 R026 R057
548 2400 101	RES 10 OHM 1/2W 1%	1.0 EA	R056
548 2400 168	RES 49.9 OHM 1/2W 1%	7.0 EA	R022 R023 R048 R051 R055 R058 R059
548 2400 173	RES 56.2 OHM 1/2W 1%	2.0 EA	R005 R016
548 2400 185	RES 75 OHM 1/2W 1%	4.0 EA	R034 R035 R036 R037
548 2400 201	RES 100 OHM 1/2W 1%	5.0 EA	R014 R020 R021 R045 R046
548 2400 230	RES 200 OHM 1/2W 1%	1.0 EA	R030
548 2400 242	RES 267 OHM 1/2W 1%	2.0 EA	R018 R019
548 2400 251	RES 332 OHM 1/2W 1%	2.0 EA	R054 R065
548 2400 258	RES 392 OHM 1/2W 1%	8.0 EA	R028 R029 R052 R053 R060 R061 R062 R063
548 2400 268	RES 499 OHM 1/2W 1%	2.0 EA	R027 R042
548 2400 281	RES 681 OHM 1/2W 1%	2.0 EA	R006 R047
548 2400 301	RES 1K OHM 1/2W 1%	7.0 EA	R007 R008 R009 R010 R017 R033 R040

548 2400 347	RES 3.01K OHM 1/2W 1%	1.0 EA	R043
548 2400 351	RES 3.32K OHM 1/2W 1%	2.0 EA	R001 R049
548 2400 368	RES 4.99K OHM 1/2W 1%	1.0 EA	R015
548 2400 373	RES 5.62K OHM 1/2W 1%	1.0 EA	R067
548 2400 389	RES 8.25K OHM 1/2W 1%	1.0 EA	R041
548 2400 418	RES 15K OHM 1/2W 1%	2.0 EA	R011 R012
548 2400 426	RES 18.2K OHM 1/2W 1%	1.0 EA	R068
548 2400 434	RES 22.1K OHM 1/2W 1%	2.0 EA	R031 R032
548 2400 451	RES 33.2K OHM 1/2W 1%	1.0 EA	R004
548 2400 501	RES 100K OHM 1/2W 1%	2.0 EA	R002 R003
550 0398 000	POT 1K OHM 1/2W 10%	1.0 EA	R44
550 0935 000	POT 2K OHM 1/2W 10%	1.0 EA	R013
556 0111 000	ATTEN 6DB 50 OHM	4.0 EA	U012 U013 U023 U031
556 0112 000	ATTEN 10DB 50 OHM	1.0 EA	U019
620 0700 000	*RECPT, MALE SMB,PC MOUNT	5.0 EA	J001 J002 J003 J004 J005
817 2200 001	SPEC, TEST PROCEDURE	0.0 EA	
839 7900 529	SCHEM, SYNTHESIZER BD #2	0.0 EA	
843 4999 376	PWB, SYNTHESIZER BD #2	1.0 EA	
939 2859 024	COAX CABLE, 50 OHM	1.0 EA	
939 7900 540	SHIELD PC BOARD	1.0 EA	
999 2663 001	HARDWARE LIST, PWB,SYNTHESIZER	1.0 EA	

Table 7-43. EXC METER/CNTRL, HTEL - 992 8946 002

<i>Harris PN</i>	<i>Description</i>	<i>QTY UM</i>	<i>Reference Designators (L)</i>
358 2827 000	SPACER, LED MOUNT .25 LG	3.0 EA	
358 3441 000	SPACER, MTG, T-1.75 LED,	24.0 EA	
382 0415 000	IC, 324 ESD	1.0 EA	U024
382 0522 000	IC, LM393N ESD	2.0 EA	U031 U034
382 0523 000	IC, 4066/14066 ESD	3.0 EA	U006 U023 U043
382 0594 000	*IC TL074ACN ESD	1.0 EA	U007
382 0596 000	IC DG507A ESD	1.0 EA	U039
382 0711 000	*PRECISION IC MULTIPLIER ESD	1.0 EA	U005
382 0769 000	IC 74HC02 ESD	1.0 EA	U014
382 0774 000	IC 74HC14 ESD	1.0 EA	U008
382 0778 000	IC, 74HC32 ESD	1.0 EA	U009
382 0781 000	IC, 74HC74 ESD	1.0 EA	U013
382 0791 000	IC, 74HC138 ESD	2.0 EA	U015 U041
382 1008 000	IC, LM3914N ESD	2.0 EA	U002 U003
382 1011 000	IC, 14541/4541 ESD	3.0 EA	U011 U012 U022
382 1070 000	IC, ILQ-1 OPTO-ISOLATOR ESD	2.0 EA	U010 U021
382 1278 000	IC UDN2596 ESD	1.0 EA	U016
382 1308 000	IC, 7541 (ESD)	2.0 EA	U025 U028
382 1309 000	IC, MAX 378 8 CH MUX ESD	2.0 EA	U004 U040
382 1424 000	IC, ICL7135C ESD	1.0 EA	U001
384 0205 000	DIODE SILICON 1N914/4148 ESD	2.0 EA	CR014 CR015
384 0321 000	*DIODE 5082-2800 ESD	4.0 EA	CR002 CR003 CR004 CR005
384 0611 000	LED, RED ESD	3.0 EA	DS027 DS028 DS029
384 0689 000	LED, RED RECTANGULAR ESD	7.0 EA	DS005 DS018 DS019 DS020 DS021 DS023 DS024
384 0696 000	LED, RECT, YELLOW ESD	2.0 EA	DS022 DS026
384 0719 000	TRANSZORB 1N6373 5V 5W ESD	2.0 EA	CR008 CR009
384 0720 000	TRANSZORB 1N6377 15V 5W ESD	2.0 EA	CR007 CR010
384 0725 000	RECT 1N5818 ESD	1.0 EA	CR006
384 0823 000	LED 10 SEG BARGRAPH, RED ESD	2.0 EA	DS003 DS004

384 0824 000	LED DISPLAY .560 INCH ESD	2.0 EA	DS001 DS002
384 0854 000	DIODE ARRAY, 8 ISOLATED ESD	1.0 EA	CR001
384 0869 000	LED GREEN RECTANGULAR ESD	15.0 EA	DS008 DS009 DS010 DS011 DS012 DS013 DS014 DS015 DS016 DS017 DS025 DS030 DS031 DS032 DS033
386 0077 000	ZENER, 1N4749A 24V ESD	2.0 EA	CR012 CR013
386 0444 000	ZENER LM185/LT1004 1.235V ESD	2.0 EA	CR011 CR016
404 0509 000	SOCKET, DIP, 28 PIN (DL)	2.0 EA	XU001 XU039
404 0673 000	SOCKET, DIP, 8 PIN (DL)	2.0 EA	XU031 XU034
404 0674 000	SOCKET, DIP, 14 PIN (DL)	12.0 EA	XU006 XU007 XU008 XU009 XU011 XU012 XU013 XU014 XU022 XU023 XU024 XU043
404 0675 000	SOCKET, DIP, 16 PIN (DL)	7.0 EA	XU004 XU010 XU015 XU021 XU040 XU041 XCR001
404 0766 000	SOCKET, DIP, 18 PIN (DL)	4.0 EA	XU002 XU003 XU025 XU028
404 0767 000	SOCKET, DIP, 20 PIN (DL)	1.0 EA	XU016
404 0797 000	SOCKET, DIP, 24 PIN (DL)	14.0 EA	XU017 XU018 XU019 XU020 XU026 XU027 XU029 XU030 XU035 XU036 XU037 XU038 XU042 XU044
500 0833 000	CAP, MICA, 390PF 500V 5%	1.0 EA	C068
500 0836 000	CAP, MICA, 500PF 500V	1.0 EA	C008
506 0246 000	CAP 0.47UF 63V 5%	1.0 EA	C003
506 0254 000	CAP .0082UF 100V 5%	1.0 EA	C006
516 0453 000	CAP .1UF 100V 20% X7R	2.0 EA	C007 C067
516 0530 000	CAP .01UF 10% 100V X7R	48.0 EA	C001 C002 C004 C005 C009 C011 C014 C015 C016 C017 C018 C019 C020 C021 C022 C023 C024 C025 C026 C027 C028 C029 C030 C031 C033 C035 C036 C037 C038 C039 C041 C042 C043 C045 C048 C049 C050 C051 C052 C054 C058 C059 C061 C062 C063 C064 C065 C066
516 0725 000	CAP 1.0UF 50V 20%	2.0 EA	C069 C070
516 0765 000	CAP 10PF 5% 100V C0G	2.0 EA	C010 C012
516 0790 000	CAP NTWK 1000PF 10% 50V	2.0 EA	C071 C072
522 0548 000	CAP 10UF 50V 20%	5.0 EA	C013 C034 C040 C047 C060
522 0561 000	CAP 100UF 63V 20%	1.0 EA	C056
522 0574 000	CAP 22UF 50V 20%	1.0 EA	C057
526 0374 000	CAP 1.0F 5.5V	1.0 EA	C053
540 1386 000	RES NETWORK 10K OHM 2%	5.0 EA	R020 R037 R038 R068 R088
540 1387 000	RES NETWORK 10K OHM 2%	1.0 EA	R064
540 1391 000	RES NETWORK 220 OHM 2%	4.0 EA	R117 R118 R119 R120
540 1494 000	RES NETWORK 1.8K 8 DIP	1.0 EA	R034
540 1525 000	RES NTWK 560 OHM SIP9/10	4.0 EA	R016 R018 R035 R070
548 2400 118	RES 15 OHM 1/2W 1%	2.0 EA	R059 R069
548 2400 142	RES 26.7 OHM 1/2W 1%	1.0 EA	R026
548 2400 201	RES 100 OHM 1/2W 1%	18.0 EA	R076 R077 R078 R079 R080 R081 R082 R083 R084 R085 R108 R109 R110 R111 R112 R113 R114 R115
548 2400 269	RES 511 OHM 1/2W 1%	1.0 EA	R017
548 2400 301	RES 1K OHM 1/2W 1%	6.0 EA	R011 R012 R022 R049 R057 R091
548 2400 305	RES 1.1K OHM 1/2W 1%	2.0 EA	R014 R021
548 2400 318	RES 1.5K OHM 1/2W 1%	1.0 EA	R009
548 2400 330	RES 2K OHM 1/2W 1%	1.0 EA	R065
548 2400 354	RES 3.57K OHM 1/2W 1%	1.0 EA	R058
548 2400 366	RES 4.75K OHM 1/2W 1%	2.0 EA	R029 R032
548 2400 369	RES 5.11K OHM 1/2W 1%	1.0 EA	R024
548 2400 381	RES 6.81K OHM 1/2W 1%	1.0 EA	R036

548 2400 401	RES 10K OHM 1/2W 1%	5.0 EA	R033 R039 R043 R072 R086
548 2400 421	RES 16.2K OHM 1/2W 1%	2.0 EA	R092 R093
548 2400 430	RES 20K OHM 1/2W 1%	2.0 EA	R013 R042
548 2400 447	RES 30.1K OHM 1/2W 1%	1.0 EA	R116
548 2400 451	RES 33.2K OHM 1/2W 1%	3.0 EA	R030 R031 R040
548 2400 469	RES 51.1K OHM 1/2W 1%	2.0 EA	R051 R071
548 2400 473	RES 56.2K OHM 1/2W 1%	1.0 EA	R104
548 2400 501	RES 100K OHM 1/2W 1%	10.0 EA	R023 R025 R027 R044 R045 R047 R050 R052 R053 R055
548 2400 569	RES 511K OHM 1/2W 1%	2.0 EA	R062 R066
548 2400 601	RES 1MEG OHM 1/2W 1%	1.0 EA	R015
550 0858 000	TRIMPOT 5K OHM 1/2W 10%	1.0 EA	R010
550 0954 000	TRIMPOT 100K OHM 1/2W 10%	3.0 EA	R006 R019 R041
550 0966 000	TRIMPOT 2K OHM 1/2W 10%	2.0 EA	R048 R056
550 0967 000	TRIMPOT 10K OHM 1/2W 10%	19.0 EA	R001 R002 R003 R004 R005 R007 R008 R046 R054 R073 R074 R094 R095 R096 R097 R098 R099 R100 R101
604 1111 000	SW PB GRAY MOM W/O LED	6.0 EA	S001 S002 S003 S004 S005 S006
604 1112 000	SW PB GRAY MOM W/GRN LED	2.0 EA	S009 S010
604 1119 000	SW PB RED MOM W/O LED	1.0 EA	S008
604 1120 000	SW PB GRN MOM W/GRN LED	1.0 EA	S007
610 0900 000	HEADER 3 CKT STRAIGHT	18.0 EA	JP001 JP002 JP003 JP004 JP005 JP006 JP007 JP008 JP009 JP010 JP011 JP012 JP013 JP014 JP015 JP016 JP017 JP018
610 0984 000	HDR 34C 2ROW VERTICAL	1.0 EA	J001
610 1172 000	HDR, 2PIN,1ROW,STRT,POLAR	1.0 EA	J003
612 1184 000	SHUNT JUMPER 0.1" CENTERS	18.0 EA	#JP001 #JP002 #JP003 #JP004 #JP005 #JP006 #JP007 #JP008 #JP009 #JP010 #JP011 #JP012 #JP013 #JP014 #JP015 #JP016 #JP017 #JP018
612 1295 000	*RECP, D, 37 PIN, STRAIGHT	1.0 EA	J002
817 2315 101	TEST REQ. EXCITER METER	0.0 EA	
843 5460 021	SCHEM, EXC METER BD	0.0 EA	
843 5460 023	PWB, EXC METER BD.	1.0 EA	
917 2317 001	PROG IC, VIS CLK GATE	1.0 EA	U018
917 2317 002	PROG IC, AUR CLK GATE	1.0 EA	U019
917 2317 003	PROG IC, METER CLK GATE	1.0 EA	U020
917 2317 005	PROG IC, VIS UP/DWN PWR 1	1.0 EA	U026
917 2317 006	PROG IC, VIS UP/DWN PWR 2	1.0 EA	U027
917 2317 007	PROG IC, AUR UP/DWN PWR 1	1.0 EA	U029
917 2317 008	PROG IC, AUR UP/DWN PWR 2	1.0 EA	U030
917 2317 011	PROG PAL DP SEL	1.0 EA	U042
917 2317 012	PROG PAL METER SELECT	1.0 EA	U017
917 2317 013	PROG PAL BCD TO 7 SEG	4.0 EA	U035 U036 U037 U038
917 2317 014	PROG PAL, METER INHIBIT	1.0 EA	U044

Table 7-44. PWB, MOD/DELAY COMP WITH - 992 9009 001

<i>Harris PN</i>	<i>Description</i>	<i>QTY UM</i>	<i>Reference Designators (K)</i>
358 1881 000	EJECTOR KIT CARD	1.0 EA	
380 0114 000	*XSTR, NPN, 2N5109 ESD	7.0 EA	Q001 Q003 Q004 Q101 Q102 Q105 Q106
380 0536 000	XSTR, NPN, 2N5179 ESD	3.0 EA	Q002 Q103 Q104
382 1122 000	*IC NE5205A ESD	1.0 EA	U002
382 1225 000	IC, ASK-1 ESD	1.0 EA	MX001
382 1231 000	IC MWA-130 ESD	1.0 EA	U003

384 0361 000	DIODE 5082-3077 ESD	4.0 EA	CR101 CR102 CR103 CR104
384 0431 000	RECT. 1N4001 ESD	2.0 EA	CR105 CR106
384 0720 000	TRANSZORB 1N6377 15V 5W ESD	2.0 EA	CR007 CR008
384 0838 000	TRANSZORB 1N6380 36V 5W ESD	1.0 EA	CR009
404 0198 000	SPACER TO-5, TO-9, TO-11	7.0 EA	XQ001 XQ003 XQ004 XQ101 XQ102 XQ105 XQ106
404 0264 000	HEAT SINK FOR TO-5 CASE	1.0 EA	XQ001
404 0673 000	SOCKET, DIP, 8 PIN (DL)	1.0 EA	XU002
478 0392 000	XFMR, RF MODEL T4-1	4.0 EA	T001 T002 T101 T102
494 0239 000	CHOKE, WIDE BAND 2.5 TURN	4.0 EA	L103 L104 L113 L114
494 0375 000	CHOKE RF 0.18UH	1.0 EA	L003
494 0376 000	CHOKE RF 0.22UH	4.0 EA	L109 L110 L115 L116
494 0378 000	CHOKE 0.33UH 10% 780MA	2.0 EA	L101 L102
494 0383 000	CHOKE RF 0.82UH	1.0 EA	L004
494 0384 000	CHOKE RF 1.00UH	4.0 EA	L105 L106 L111 L112
494 0388 000	CHOKE RF 2.20UH	1.0 EA	L002
494 0398 000	CHOKE RF 10.0UH +/- 10%	4.0 EA	L006 L107 L108 L117
494 0446 000	CHOKE POWER LINE 100UH	2.0 EA	L001 L005
500 0804 000	CAP, MICA, 10PF 500V +/- .5PF	3.0 EA	C112 C138 C139
500 0807 000	CAP, MICA, 18PF 500V 5%	1.0 EA	C013
500 0808 000	CAP, MICA, 20PF 500V 5%	1.0 EA	C012
500 0809 000	CAP, MICA, 22PF 500V 5%	4.0 EA	C103 C104 C107 C108
500 0840 000	CAP, MICA, 680PF 300V 5%	1.0 EA	C020
500 0957 000	CAP, MICA, 7PF 500V +/- .5PF	1.0 EA	C111
516 0530 000	CAP .01UF 10% 100V X7R	6.0 EA	C019 C140 C141 C142 C143 C144
516 0736 000	CAP .001UF 10% 100V X7R	41.0 EA	C001 C002 C003 C005 C007 C008 C009 C014 C016 C018 C021 C023 C025 C027 C029 C101 C102 C105 C106 C113 C114 C115 C116 C117 C118 C119 C120 C123 C124 C125 C126 C127 C128 C129 C130 C131 C132 C133 C134 C136 C137
516 0891 000	CAP 0.100UF 10% 50V	5.0 EA	C015 C022 C024 C026 C028
518 0045 000	CAP VAR 9-35PF 200V	2.0 EA	C121 C122
520 0446 000	CAP, VAR .8-10PF	1.0 EA	C011
520 0448 000	CAP, VAR .8-14PF	2.0 EA	C109 C110
522 0548 000	CAP 10UF 50V 20%	1.0 EA	C135
522 0561 000	CAP 100UF 63V 20%	3.0 EA	C004 C006 C017
548 2400 101	RES 10 OHM 1/2W 1%	5.0 EA	R005 R135 R136 R139 R140
548 2400 105	RES 11 OHM 1/2W 1%	1.0 EA	R022
548 2400 118	RES 15 OHM 1/2W 1%	1.0 EA	R019
548 2400 134	RES 22.1 OHM 1/2W 1%	6.0 EA	R033 R034 R145 R146 R153 R154
548 2400 147	RES 30.1 OHM 1/2W 1%	1.0 EA	R110
548 2400 158	RES 39.2 OHM 1/2W 1%	2.0 EA	R021 R029
548 2400 166	RES 47.5 OHM 1/2W 1%	3.0 EA	R109 R125 R126
548 2400 169	RES 51.1 OHM 1/2W 1%	3.0 EA	R016 R123 R124
548 2400 181	RES 68.1 OHM 1/2W 1%	3.0 EA	R006 R119 R120
548 2400 185	RES 75 OHM 1/2W 1%	2.0 EA	R121 R122
548 2400 189	RES 82.5 OHM 1/2W 1%	2.0 EA	R155 R157
548 2400 194	RES 93.1 OHM 1/2W 1%	1.0 EA	R156
548 2400 201	RES 100 OHM 1/2W 1%	5.0 EA	R009 R018 R025 R101 R102
548 2400 205	RES 110 OHM 1/2W 1%	1.0 EA	R007
548 2400 209	RES 121 OHM 1/2W 1%	2.0 EA	R133 R134
548 2400 218	RES 150 OHM 1/2W 1%	2.0 EA	R103 R104
548 2400 226	RES 182 OHM 1/2W 1%	2.0 EA	R117 R118
548 2400 230	RES 200 OHM 1/2W 1%	2.0 EA	R035 R036

548 2400 234	RES 221 OHM 1/2W 1%	4.0 EA	R141 R142 R143 R144
548 2400 247	RES 301 OHM 1/2W 1%	2.0 EA	R004 R011
548 2400 251	RES 332 OHM 1/2W 1%	4.0 EA	R027 R032 R159 R160
548 2400 254	RES 357 OHM 1/2W 1%	1.0 EA	R158
548 2400 258	RES 392 OHM 1/2W 1%	4.0 EA	R113 R114 R115 R116
548 2400 262	RES 432 OHM 1/2W 1%	2.0 EA	R137 R138
548 2400 266	RES 475 OHM 1/2W 1%	2.0 EA	R008 R013
548 2400 277	RES 619 OHM 1/2W 1%	2.0 EA	R107 R108
548 2400 293	RES 909 OHM 1/2W 1%	1.0 EA	R030
548 2400 301	RES 1K OHM 1/2W 1%	1.0 EA	R017
548 2400 321	RES 1.62K OHM 1/2W 1%	4.0 EA	R111 R112 R129 R130
548 2400 326	RES 1.82K OHM 1/2W 1%	2.0 EA	R003 R038
548 2400 330	RES 2K OHM 1/2W 1%	1.0 EA	R031
548 2400 334	RES 2.21K OHM 1/2W 1%	3.0 EA	R002 R127 R128
548 2400 366	RES 4.75K OHM 1/2W 1%	6.0 EA	R014 R015 R023 R024 R026 R028
548 2400 381	RES 6.81K OHM 1/2W 1%	2.0 EA	R131 R132
550 0841 000	POT 50 OHM 1/2W 10%	3.0 EA	R001 R105 R106
550 0842 000	POT 200 OHM 1/2W 10%	2.0 EA	R020 R037
550 0865 000	POT 1K OHM 1/2W 10%	3.0 EA	R010 R012 R040
550 0901 000	POT 500 OHM 1/2W 10%	2.0 EA	R147 R148
604 0469 000	SW TGL SPDT	2.0 EA	S101 S102
610 0679 000	PLUG, SHORTING, .25" CTRS	2.0 EA	JP001 JP002
610 0933 000	JUMPER, PWB TEST POINT	1.0 EA	TP001
612 0775 000	JACK, PC MT, .040 PINS	6.0 EA	P1-1 P1-2 P1-3 P2-1 P2-2 P2-3
620 0700 000	*RECPT, MALE SMB,PC MOUNT	4.0 EA	J001 J002 J003 J004
620 2518 000	DIR COUPLER, .5-500 MHZ	1.0 EA	DC-1
839 7900 705	SCH, MOD/DELAY CORR WITH	0.0 EA	
843 4999 656	PWB, MOD/DELAY WITH IF	1.0 EA	

Table 7-45. PWB, LIN/QUAD CORR. WITH - 992 9010 001

<i>Harris PN</i>	<i>Description</i>	<i>QTY UM</i>	<i>Reference Designators (N)</i>
358 1881 000	EJECTOR KIT CARD	1.0 EA	
380 0114 000	*XSTR, NPN, 2N5109 ESD	6.0 EA	Q002 Q004 Q005 Q102 Q104 Q105
380 0536 000	XSTR, NPN, 2N5179 ESD	4.0 EA	Q001 Q003 Q101 Q103
380 0622 000	XSTR, N-JFET U310 ESD	1.0 EA	Q106
382 0415 000	IC, 324 ESD	4.0 EA	U001 U002 U101 U102
382 1122 000	*IC NE5205A ESD	1.0 EA	U103
382 1231 000	IC MWA-130 ESD	1.0 EA	U104
384 0431 000	RECT. 1N4001 ESD	2.0 EA	CR010 CR011
384 0642 000	*DIODE, 5082-2835 ESD	18.0 EA	CR001 CR002 CR003 CR004 CR005 CR006 CR007 CR008 CR009 CR101 CR102 CR103 CR104 CR105 CR106 CR107 CR108 CR109
384 0720 000	TRANSZORB 1N6377 15V 5W ESD	2.0 EA	CR013 CR014
384 0838 000	TRANSZORB 1N6380 36V 5W ESD	1.0 EA	CR012
404 0198 000	SPACER TO-5, TO-9, TO-11	7.0 EA	XQ002 XQ004 XQ005 XQ102 XQ104 XQ105 XU104
404 0660 000	HEAT SINK	1.0 EA	XQ106
404 0673 000	SOCKET, DIP, 8 PIN (DL)	1.0 EA	XU103
404 0674 000	SOCKET, DIP, 14 PIN (DL)	2.0 EA	XU001 XU002
404 0725 000	HEAT SINK TO-5 CASE	6.0 EA	XQ002 XQ004 XQ005 XQ102 XQ104 XQ105
478 0412 000	XFMR RF T9-1	1.0 EA	T101
494 0239 000	CHOKE, WIDE BAND 2.5 TURN	2.0 EA	L010 L110
494 0262 000	CHOKE RF 10UH 10%	16.0 EA	L001 L002 L003 L004 L005 L006 L007 L008 L101 L102 L103 L104 L105 L106 L107 L108

494 0376 000	CHOKERF 0.22UH	2.0 EA	L009 L109
494 0390 000	CHOKERF 3.30UH	1.0 EA	L111
494 0446 000	CHOKERF POWER LINE 100UH	2.0 EA	L011 L012
500 0753 000	CAP, MICA, 56PF 500V 5%	3.0 EA	C022 C023 C122
500 0759 000	CAP, MICA, 100PF 500V 5%	1.0 EA	C124
500 0761 000	CAP, MICA, 150PF 500V 5%	1.0 EA	C024
500 0815 000	CAP, MICA, 39PF 500V 5%	1.0 EA	C112
500 0817 000	CAP, MICA, 47PF 500V 5%	1.0 EA	C012
500 0822 000	CAP, MICA, 75PF 500V 5%	2.0 EA	C011 C111
500 0826 000	CAP, MICA, 120PF 500V 5%	1.0 EA	C123
516 0453 000	CAP .1UF 100V 20% X7R	16.0 EA	C006 C007 C008 C009 C015 C016 C017 C018 C106 C107 C108 C109 C115 C116 C117 C118
516 0530 000	CAP .01UF 10% 100V X7R	33.0 EA	C001 C003 C005 C010 C014 C020 C046 C047 C048 C049 C050 C051 C052 C053 C101 C103 C105 C110 C114 C120 C146 C147 C148 C149 C150 C151 C152 C153 C162 C163 C164 C165 C166
516 0736 000	CAP .001UF 10% 100V X7R	16.0 EA	C002 C013 C019 C021 C056 C057 C058 C059 C060 C113 C119 C121 C132 C133 C159 C160
516 0891 000	CAP 0.100UF 10% 50V	7.0 EA	C004 C044 C045 C102 C104 C144 C145
522 0561 000	CAP 100UF 63V 20%	11.0 EA	C029 C030 C061 C062 C063 C129 C130 C161 C167 C168 C169
526 0049 000	CAP 6.8UF 35V 20%	16.0 EA	C025 C026 C027 C028 C034 C035 C036 C037 C125 C126 C127 C128 C134 C135 C136 C137
526 0311 000	CAP 2.2UF 35V 10%	4.0 EA	C038 C039 C138 C139
540 0599 000	*RES 330 OHM 2W 10%	2.0 EA	R017 R117
540 1334 000	RES NETWORK 15K OHM	2.0 EA	R057 R157
540 1600 216	RES 430 OHM 3W 5%	2.0 EA	R007 R107
548 2400 101	RES 10 OHM 1/2W 1%	6.0 EA	R063 R064 R065 R163 R164 R165
548 2400 121	RES 16.2 OHM 1/2W 1%	1.0 EA	R162
548 2400 125	RES 17.8 OHM 1/2W 1%	1.0 EA	R171
548 2400 147	RES 30.1 OHM 1/2W 1%	1.0 EA	R154
548 2400 166	RES 47.5 OHM 1/2W 1%	2.0 EA	R028 R128
548 2400 169	RES 51.1 OHM 1/2W 1%	4.0 EA	R001 R066 R070 R101
548 2400 177	RES 61.9 OHM 1/2W 1%	2.0 EA	R005 R105
548 2400 185	RES 75 OHM 1/2W 1%	1.0 EA	R158
548 2400 201	RES 100 OHM 1/2W 1%	2.0 EA	R159 R160
548 2400 205	RES 110 OHM 1/2W 1%	1.0 EA	R120
548 2400 218	RES 150 OHM 1/2W 1%	2.0 EA	R054 R161
548 2400 226	RES 182 OHM 1/2W 1%	1.0 EA	R008
548 2400 234	RES 221 OHM 1/2W 1%	2.0 EA	R026 R126
548 2400 237	RES 237 OHM 1/2W 1%	4.0 EA	R009 R023 R109 R123
548 2400 246	RES 294 OHM 1/2W 1%	2.0 EA	R170 R172
548 2400 247	RES 301 OHM 1/2W 1%	5.0 EA	R006 R015 R106 R108 R115
548 2400 251	RES 332 OHM 1/2W 1%	2.0 EA	R174 R175
548 2400 254	RES 357 OHM 1/2W 1%	1.0 EA	R173
548 2400 258	RES 392 OHM 1/2W 1%	2.0 EA	R027 R127
548 2400 262	RES 432 OHM 1/2W 1%	2.0 EA	R019 R020
548 2400 285	RES 750 OHM 1/2W 1%	5.0 EA	R004 R014 R104 R114 R119
548 2400 318	RES 1.5K OHM 1/2W 1%	6.0 EA	R041 R068 R069 R141 R168 R169
548 2400 330	RES 2K OHM 1/2W 1%	16.0 EA	R029 R030 R031 R032 R033 R034 R035 R036 R129 R130 R131 R132 R133 R134 R135 R136
548 2400 334	RES 2.21K OHM 1/2W 1%	4.0 EA	R055 R056 R155 R156
548 2400 342	RES 2.67K OHM 1/2W 1%	2.0 EA	R003 R103
548 2400 358	RES 3.92K OHM 1/2W 1%	2.0 EA	R013 R113

548 2400 385	RES 7.5K OHM 1/2W 1%	8.0 EA	R044 R047 R050 R053 R144 R147 R150 R153
548 2400 393	RES 9.09K OHM 1/2W 1%	2.0 EA	R002 R102
548 2400 401	RES 10K OHM 1/2W 1%	4.0 EA	R024 R025 R124 R125
548 2400 426	RES 18.2K OHM 1/2W 1%	2.0 EA	R012 R112
550 0842 000	POT 200 OHM 1/2W 10%	2.0 EA	R011 R111
550 0865 000	POT 1K OHM 1/2W 10%	14.0 EA	R010 R021 R022 R037 R038 R039 R040 R110 R121 R122 R137 R138 R139 R140
604 0859 000	SW, TGL DPDT	2.0 EA	S001 S101
610 0679 000	PLUG, SHORTING, .25" CTRS	5.0 EA	JP001 JP001A JP004 JP004A JP006
610 0900 000	HEADER 3 CKT STRAIGHT	5.0 EA	JP002 JP003 JP005 JP101 JP102
612 0775 000	JACK, PC MT, .040 PINS	11.0 EA	P1-2 P1-4 P1-3 P1-1 P4-3 P4-1 P4-4 P4-2 P6-3 P6-1 P6-2
612 1184 000	SHUNT JUMPER 0.1" CENTERS	5.0 EA	JPR002 JPR003 JPR005 JPR101 JPR102
620 0700 000	*RECPT, MALE SMB,PC MOUNT	5.0 EA	J001 J002 J003 J004 J005
620 1955 000	HYBRID, QUADRATURE	1.0 EA	HY001
620 2518 000	DIR COUPLER, .5-500 MHZ	1.0 EA	DC-1
839 7900 704	SCH, LIN/QUAD CORR WITH	0.0 EA	
843 4999 655	PWB, LIN/QUAD CORR. WITH	1.0 EA	

Table 7-46. PWA, EXCITER MOTHERBOARD - 992 9017 001

<i>Harris PN</i>	<i>Description</i>	<i>QTY UM</i>	<i>Reference Designators (A)</i>
516 0736 000	CAP .001UF 10% 100V X7R	16.0 EA	C003 C006 C009 C012 C013 C014 C015 C020 C021 C022 C023 C024 C025 C026 C027 C028
516 0789 000	CAP NETWORK 100PF 50V 10%	1.0 EA	C019
516 0790 000	CAP NTWK 1000PF 10% 50V	3.0 EA	C016 C017 C018
516 0891 000	CAP 0.100UF 10% 50V	5.0 EA	C002 C005 C008 C010 C011
522 0548 000	CAP 10UF 50V 20%	5.0 EA	C001 C004 C007 C029 C030
610 0679 000	PLUG, SHORTING, .25" CTRS	3.0 EA	JPR001 JPR002 JPR003
610 0984 000	HDR 34C 2ROW VERTICAL	1.0 EA	J019
610 1027 000	HEADER, MALE 12 PIN	2.0 EA	J018 J020
610 1064 000	HDR, 10 PIN PC RBN	3.0 EA	J014 J016 J017
612 0904 000	JACK, PC MT GOLD PLATED	9.0 EA	JP001 JP002 JP003
612 1309 000	CONN, PC EDGE 56 CONT	13.0 EA	J001 J002 J003 J004 J005 J006 J007 J008 J009 J010 J011 J012 J013
839 7900 709	SCH, EXC MOTHERBOARD WITH	0.0 EA	
843 4999 661	PWB, EXCITER MOTHERBOARD	1.0 EA	

Table 7-47. *PWA, VIDEO BOARD W/VIDEO - 992 9564 001

<i>Harris PN</i>	<i>Description</i>	<i>QTY UM</i>	<i>Reference Designators (N)</i>
358 1881 000	EJECTOR KIT CARD	1.0 EA	
380 0189 000	XSTR, NPN 2N3904 ESD	11.0 EA	Q001 Q002 Q003 Q004 Q005 Q006 Q007 Q008 Q009 Q010 Q016
380 0190 000	XSTR, PNP 2N3906 ESD	2.0 EA	Q011 Q012
380 0573 000	XSTR, J309 ESD	1.0 EA	Q014
380 0578 000	XSTR, PN4258 ESD	2.0 EA	Q013 Q015
382 1379 000	IC CLC522 VGA ESD	1.0 EA	U016
382 1568 000	IC LM1881N ESD	1.0 EA	U011
382 1580 000	IC LT1252 VIDEO OPAMP ESD	9.0 EA	U001 U002 U003 U006 U008 U010 U012 U014 U015
382 1584 000	IC AD8037AN ESD	1.0 EA	U004
382 1598 000	IC 74AC00 ESD	1.0 EA	U007
382 1620 000	IC 9631 OPAMP ESD	1.0 EA	U005

382 1664 000	IC, OP AMP, TL054 ESD	1.0 EA	U013
383 0384 000	IC, 567D ESD	1.0 EA	U017
384 0205 000	DIODE SILICON 1N914/4148 ESD	8.0 EA	CR011 CR012 CR013 CR014 CR015 CR016 CR017 CR018
384 0431 000	RECT. 1N4001 ESD	2.0 EA	CR009 CR010
384 0659 000	DIODE HP5082-2811/A2S811 ESD	8.0 EA	CR001 CR002 CR003 CR004 CR005 CR006 CR007 CR008
384 0719 000	TRANSZORB 1N6373 5V 5W ESD	2.0 EA	CR019 CR020
384 0780 000	LED, RED ESD	1.0 EA	DS001
404 0682 000	SOCKET, DIP, 24 PIN (DL)	1.0 EA	XDL001
404 0873 000	SOCKET ADAPTER SOIC8-DIP8	1.0 EA	#U017
484 0439 000	LINE, DELAY 200NS	1.0 EA	DL002
484 0445 000	LINE, DELAY 400NS	1.0 EA	DL001
492 0857 000	INDUCTOR, FIXED RF 197NH	1.0 EA	L009
494 0394 000	CHOKE 6.80UH	2.0 EA	L006 L007
494 0397 000	CHOKE RF 8.20UH	1.0 EA	L001
494 0398 000	CHOKE RF 10.0UH +/- 10%	1.0 EA	L002
494 0419 000	IND 1000UH 10%	2.0 EA	L003 L008
506 0232 000	CAP .01UF 100V 5%	1.0 EA	C074
506 0239 000	CAP .022UF 100V 5%	2.0 EA	C052 C060
516 0453 000	CAP .1UF 100V 20% X7R	21.0 EA	C001 C003 C004 C005 C008 C011 C012 C033 C043 C048 C054 C056 C061 C068 C069 C071 C072 C076 C077 C080 C081
516 0530 000	CAP .01UF 10% 100V X7R	3.0 EA	C028 C036 C073
516 0765 000	CAP 10PF 5% 100V C0G	1.0 EA	C070
516 0766 000	CAP 12PF 5% 100V C0G	2.0 EA	C020 C035
516 0769 000	CAP 22PF 5% 100V C0G	1.0 EA	C042
516 0773 000	CAP 47PF 5% 100V C0G	1.0 EA	C051
516 0777 000	CAP 100PF 5% 100V C0G	4.0 EA	C038 C039 C045 C046
516 0881 000	CAP 820PF 5% 100V C0G	1.0 EA	C015
516 0971 000	CAP 470PF 5% 100V C0G	1.0 EA	C079
516 0974 000	CAP 1000PF 5% 100V C0G	2.0 EA	C016 C029
522 0548 000	CAP 10UF 50V 20%	2.0 EA	C055 C075
522 0550 000	CAP 100UF 25V 20%	1.0 EA	C027
522 0570 000	CAP 2.2UF 50V 20%	1.0 EA	C067
522 0578 000	CAP 1.0UF 50V 20%	2.0 EA	C050 C053
522 0588 000	CAP 100UF 25V 20% NP	1.0 EA	C037
526 0096 000	CAP 100UF 10V 20%	5.0 EA	C002 C006 C017 C018 C078
526 0108 000	CAP 4.7UF 35V 20%	24.0 EA	C007 C009 C010 C013 C014 C019 C022 C023 C024 C030 C032 C034 C040 C041 C047 C049 C057 C058 C059 C062 C063 C064 C065 C066
548 2400 130	RES 20 OHM 1/2W 1%	1.0 EA	R150
548 2400 168	RES 49.9 OHM 1/2W 1%	3.0 EA	R069 R093 R112
548 2400 185	RES 75 OHM 1/2W 1%	3.0 EA	R065 R086 R151
548 2400 187	RES 78.7 OHM 1/2W 1%	1.0 EA	R080
548 2400 201	RES 100 OHM 1/2W 1%	8.0 EA	R038 R039 R040 R041 R042 R043 R044 R045
548 2400 209	RES 121 OHM 1/2W 1%	1.0 EA	R142
548 2400 213	RES 133 OHM 1/2W 1%	2.0 EA	R052 R053
548 2400 215	RES 140 OHM 1/2W 1%	1.0 EA	R084
548 2400 218	RES 150 OHM 1/2W 1%	4.0 EA	R054 R055 R098 R155
548 2400 222	RES 165 OHM 1/2W 1%	1.0 EA	R087
548 2400 226	RES 182 OHM 1/2W 1%	1.0 EA	R135
548 2400 228	RES 191 OHM 1/2W 1%	3.0 EA	R050 R051 R091
548 2400 230	RES 200 OHM 1/2W 1%	4.0 EA	R048 R049 R108 R156
548 2400 231	RES 205 OHM 1/2W 1%	1.0 EA	R119

548 2400 234	RES 221 OHM 1/2W 1%	3.0 EA	R027 R090 R097
548 2400 242	RES 267 OHM 1/2W 1%	1.0 EA	R072
548 2400 247	RES 301 OHM 1/2W 1%	1.0 EA	R109
548 2400 251	RES 332 OHM 1/2W 1%	1.0 EA	R073
548 2400 262	RES 432 OHM 1/2W 1%	1.0 EA	R136
548 2400 266	RES 475 OHM 1/2W 1%	4.0 EA	R077 R082 R085 R130
548 2400 268	RES 499 OHM 1/2W 1%	15.0 EA	R019 R020 R021 R022 R023 R024 R025 R026 R064 R067 R107 R114 R117 R118 R121
548 2400 273	RES 562 OHM 1/2W 1%	4.0 EA	R070 R100 R103 R129
548 2400 285	RES 750 OHM 1/2W 1%	7.0 EA	R036 R037 R047 R083 R089 R101 R147
548 2400 290	RES 845 OHM 1/2W 1%	9.0 EA	R056 R057 R058 R059 R060 R061 R062 R063 R102
548 2400 301	RES 1K OHM 1/2W 1%	22.0 EA	R028 R029 R032 R033 R034 R035 R074 R075 R076 R081 R092 R113 R116 R122 R133 R134 R138 R139 R140 R143 R152 R153
548 2400 313	RES 1.33K OHM 1/2W 1%	1.0 EA	R128
548 2400 323	RES 1.69K OHM 1/2W 1%	2.0 EA	R030 R031
548 2400 330	RES 2K OHM 1/2W 1%	2.0 EA	R127 R154
548 2400 334	RES 2.21K OHM 1/2W 1%	2.0 EA	R088 R125
548 2400 343	RES 2.74K OHM 1/2W 1%	1.0 EA	R099
548 2400 351	RES 3.32K OHM 1/2W 1%	1.0 EA	R137
548 2400 366	RES 4.75K OHM 1/2W 1%	2.0 EA	R094 R146
548 2400 373	RES 5.62K OHM 1/2W 1%	1.0 EA	R132
548 2400 401	RES 10K OHM 1/2W 1%	7.0 EA	R066 R068 R078 R079 R095 R148 R149
548 2400 451	RES 33.2K OHM 1/2W 1%	1.0 EA	R158
548 2400 573	RES 562K OHM 1/2W 1%	1.0 EA	R123
548 2400 581	RES 681K OHM 1/2W 1%	1.0 EA	R126
548 2400 601	RES 1MEG OHM 1/2W 1%	2.0 EA	R159 R160
550 0398 000	POT 1K OHM 1/2W 10%	3.0 EA	R071 R115 R157
550 0901 000	POT 500 OHM 1/2W 10%	8.0 EA	R003 R004 R005 R006 R007 R008 R009 R010
550 0913 000	POT, 5K OHM, 1/2W	1.0 EA	R120
550 0921 000	POT 100K OHM 1/2W	2.0 EA	R144 R145
550 0922 000	POT 10K OHM 1/2W	3.0 EA	R124 R131 R141
550 0923 000	POT 1K OHM 1/2W	1.0 EA	R001
550 0928 000	POT 20K OHM 1/2W	4.0 EA	R105 R106 R110 R111
550 1101 000	POT 20KOHM 1/2W	8.0 EA	R011 R012 R013 R014 R015 R016 R017 R018
550 1102 000	POT 200 OHM 1/2W	1.0 EA	R002
604 1192 000	SWITCH TGL SPDT	2.0 EA	S001 S002
610 0679 000	PLUG, SHORTING, .25" CTRS	1.0 EA	JP006
610 0900 000	HEADER 3 CKT STRAIGHT	5.0 EA	JP001 JP002 JP003 JP004 JP005
610 0933 000	JUMPER, PWB TEST POINT	9.0 EA	TP001 TP002 TP003 TP004 TP005 TP006 TP007 TP008 TP009
612 0775 000	JACK, PC MT, .040 PINS	3.0 EA	JP6-1 JP6-2 JP6-3
612 1184 000	SHUNT JUMPER 0.1" CENTERS	5.0 EA	
620 0700 000	*RECPT, MALE SMB,PC MOUNT	2.0 EA	J001 J002
843 5285 411	SCH, VIDEO DIFF GAIN, LFL	0.0 EA	
843 5285 413	PWB, VIDEO DIFF GAIN, LFL	1.0 EA	

Table 7-48. OPTION, LINE FREQ OFFSET - 992 9046 001

<i>Harris PN</i>	<i>Description</i>	<i>QTY UM</i>	<i>Reference Designators (A)</i>
992 8499 001	PWB, SYNTH BD #2 MODS	1.0 EA	
992 8913 001	PWB, SYNTH CARD 3	1.0 EA	

Table 7-49. PWB, SYNTH BD #2 MODS - 992 8499 001

<i>Harris PN</i>	<i>Description</i>	<i>QTY UM</i>	<i>Reference Designators (H)</i>
358 1881 000	EJECTOR KIT CARD	1.0 EA	
358 1928 000	JUMPER 1/4 LG 1/8H	26.0 EA	
382 0411 000	IC, PSC-2-1 ESD	1.0 EA	HY001
382 0648 000	IC, LM339A ESD	1.0 EA	U001
382 0690 000	IC 10131 ESD	1.0 EA	U004
382 0907 000	IC MC145152P2 ESD	1.0 EA	U006
382 1122 000	*IC NE5205A ESD	2.0 EA	U009 U020
382 1126 000	IC 78L12A ESD	1.0 EA	U003
382 1218 000	IC 1007 ESD	1.0 EA	U002
382 1219 000	IC 1028 ESD	1.0 EA	U025
382 1220 000	IC 10E016 ESD	1.0 EA	U027
382 1221 000	IC 10216 ESD	1.0 EA	U026
382 1222 000	IC 12090 ESD	2.0 EA	U028 U035
382 1223 000	IC 12013 ESD	1.0 EA	U007
382 1224 000	IC 12040 ESD	1.0 EA	U024
382 1225 000	IC, ASK-1 ESD	2.0 EA	U016 U017
382 1226 000	IC MSC-2-1W ESD	2.0 EA	U018 U032
382 1227 000	IC 12009 ESD	1.0 EA	U008
382 1229 000	IC 10198 ESD	1.0 EA	U029
382 1231 000	IC MWA-130 ESD	1.0 EA	U022
382 1232 000	IC MWA-230 ESD	2.0 EA	U033 U036
382 1233 000	IC JH-139 ESD	1.0 EA	HY003
382 1234 001	IC, MW1111 ESD	1.0 EA	U005
382 1235 001	IC, MW1112 ESD	1.0 EA	U030
382 1237 000	IC JH-113 ESD	1.0 EA	HY002
384 0205 000	DIODE SILICON 1N914/4148 ESD	3.0 EA	CR003 CR005 CR006
384 0659 000	DIODE HP5082-2811/A2S811 ESD	2.0 EA	CR001 CR002
384 0725 000	RECT 1N5818 ESD	1.0 EA	CR009
386 0078 000	ZENER, 1N4734A 5.6V ESD	1.0 EA	CR007
386 0163 000	ZENER, 1N4735A 6.2V ESD	1.0 EA	CR004
404 0198 000	SPACER TO-5, TO-9, TO-11	3.0 EA	XU022 XU033 XU036
478 0392 000	XFMR, RF MODEL T4-1	1.0 EA	T001
484 0392 000	FILTER, LOW PASS 21.4MHZ	1.0 EA	U014
492 0781 000	IND VAR 1000UH NOM	1.0 EA	L007
492 0782 000	IND VAR 3900UH NOM	2.0 EA	L005 L012
492 0783 000	IND VAR 2.2MH NOM	1.0 EA	L003
492 0784 000	IND VAR 1.5MH NOM	1.0 EA	L002
494 0238 000	CHOKE RF 39UH	1.0 EA	L004
494 0390 000	CHOKE RF 3.30UH	2.0 EA	L008 L009
494 0398 000	CHOKE RF 10.0UH +/- 10%	1.0 EA	L010
494 0418 000	CHOKE RF 820.0UH	1.0 EA	L006
494 0446 000	CHOKE POWER LINE 100UH	1.0 EA	L011
494 0467 000	IND 8.2UH 10%	1.0 EA	L001
500 1293 000	CAP 330PF 100V 5%	1.0 EA	C056
500 1295 000	CAP 390PF 100V 5%	1.0 EA	C089
500 1300 000	CAP 620PF 100V 5%	3.0 EA	C034 C054 C057
506 0231 000	CAP .0015UF 63V 5%	2.0 EA	C036 C058
506 0234 000	CAP .0022UF 100V 5%	1.0 EA	C033
506 0235 000	CAP .0033UF 100V 5%	2.0 EA	C053 C055
506 0237 000	CAP .0068UF 100V 5%	2.0 EA	C035 C037
506 0253 000	CAP .0056UF 100V 5%	2.0 EA	C010 C011
506 0263 000	CAP .0039UF 100V 5%	1.0 EA	C090
516 0417 000	CAP 1000PF 10% 200V	10.0 EA	

Part Number	Description	Quantity	Notes
516 0827 000	CAP 4700PF 10% 100V	1.0 EA	C45 MAY NOT BE INSTALLED FOR CHANNELS NEAR 200MHZ C007 C008 C045 C048 C066 C072 C074 C075 C077 C078
516 0831 000	CAP 0.010UF 10% 100V	9.0 EA	C040
516 0833 000	CAP .022UF 10% 50V	2.0 EA	C001 C006 C017 C026 C032 C039 C047 C065 C079
516 0834 000	CAP 0.047UF 10% 50V	2.0 EA	C044 C046
516 0891 000	CAP 0.100UF 10% 50V	29.0 EA	C043 C051
516 0905 000	CAP 22PF 10% 200V	1.0 EA	C002 C003 C004 C005 C009 C012 C013 C019 C021 C022 C023 C024 C038 C041 C049 C052 C061 C062 C063 C064 C067 C073 C076 C080 C081 C082 C085 C086 C087
516 0906 000	CAP 33PF 10% 200V	1.0 EA	C068
516 0909 000	CAP 100PF 10% 200V	1.0 EA	C030
522 0548 000	CAP 10UF 50V 20%	3.0 EA	C059
522 0550 000	CAP 100UF 25V 20%	4.0 EA	C014 C042 C050
526 0050 000	CAP 1UF 35V 20%	1.0 EA	C016 C027 C070 C088
526 0308 000	CAP 22UF 10V 20%	2.0 EA	C060
526 0311 000	CAP 2.2UF 35V 10%	1.0 EA	C083 C084
526 0358 000	CAP 22UF 35V 10%	1.0 EA	C015
548 2400 001	RES 1 OHM 1/2W 1%	3.0 EA	C071
548 2400 101	RES 10 OHM 1/2W 1%	1.0 EA	R025 R026 R057
548 2400 168	RES 49.9 OHM 1/2W 1%	7.0 EA	R056
548 2400 173	RES 56.2 OHM 1/2W 1%	2.0 EA	R022 R023 R048 R051 R055 R058 R059
548 2400 185	RES 75 OHM 1/2W 1%	4.0 EA	R005 R016
548 2400 201	RES 100 OHM 1/2W 1%	5.0 EA	R034 R035 R036 R037
548 2400 230	RES 200 OHM 1/2W 1%	1.0 EA	R014 R020 R021 R045 R046
548 2400 242	RES 267 OHM 1/2W 1%	2.0 EA	R030
548 2400 251	RES 332 OHM 1/2W 1%	2.0 EA	R018 R019
548 2400 258	RES 392 OHM 1/2W 1%	8.0 EA	R054 R065
548 2400 268	RES 499 OHM 1/2W 1%	2.0 EA	R028 R029 R052 R053 R060 R061 R062 R063
548 2400 281	RES 681 OHM 1/2W 1%	2.0 EA	R027 R042
548 2400 301	RES 1K OHM 1/2W 1%	7.0 EA	R006 R047
548 2400 347	RES 3.01K OHM 1/2W 1%	1.0 EA	R007 R008 R009 R010 R017 R033 R040
548 2400 351	RES 3.32K OHM 1/2W 1%	2.0 EA	R043
548 2400 368	RES 4.99K OHM 1/2W 1%	1.0 EA	R001 R049
548 2400 373	RES 5.62K OHM 1/2W 1%	1.0 EA	R015
548 2400 389	RES 8.25K OHM 1/2W 1%	1.0 EA	R067
548 2400 418	RES 15K OHM 1/2W 1%	2.0 EA	R041
548 2400 426	RES 18.2K OHM 1/2W 1%	1.0 EA	R011 R012
548 2400 434	RES 22.1K OHM 1/2W 1%	2.0 EA	R068
548 2400 451	RES 33.2K OHM 1/2W 1%	1.0 EA	R031 R032
548 2400 501	RES 100K OHM 1/2W 1%	2.0 EA	R004
550 0398 000	POT 1K OHM 1/2W 10%	1.0 EA	R002 R003
550 0935 000	POT 2K OHM 1/2W 10%	1.0 EA	R044
556 0111 000	ATTEN 6DB 50 OHM	4.0 EA	R013
556 0112 000	ATTEN 10DB 50 OHM	1.0 EA	U012 U013 U023 U031 U019
620 0700 000	*RECPT, MALE SMB,PC MOUNT	5.0 EA	J001 J002 J003 J004 J005
817 2200 001	SPEC, TEST PROCEDURE	0.0 EA	
839 7900 551	SCHEM, FREQ SYNTH CARD #2	0.0 EA	
843 4999 376	PWB, SYNTHESIZER BD #2	1.0 EA	
917 2100 740	CABLE, W33	2.0 EA	J006 J007
939 2859 024	COAX CABLE, 50 OHM	1.0 EA	
939 7900 540	SHIELD PC BOARD	1.0 EA	

Table 7-50. PWB, SYNTH CARD 3 - 992 8913 001

<i>Harris PN</i>	<i>Description</i>	<i>QTY UM</i>	<i>Reference Designators (J)</i>
358 1881 000	EJECTOR KIT CARD	1.0 EA	
380 0189 000	XSTR, NPN 2N3904 ESD	3.0 EA	Q005 Q006 Q007
380 0190 000	XSTR, PNP 2N3906 ESD	4.0 EA	Q001 Q002 Q003 Q004
382 0411 000	IC, PSC-2-1 ESD	2.0 EA	U020 U031
382 0471 000	IC, MC7806CT ESD	1.0 EA	U015
382 0561 000	IC, 74LS74 ESD	2.0 EA	U016 U033
382 0565 000	IC, 74LS138 TTL DECOD ESD	1.0 EA	U007
382 0605 000	IC 7905C ESD	1.0 EA	U012
382 0657 000	IC, 74LS20N TTL GATE ESD	1.0 EA	U008
382 0724 000	IC, 1648 MECL VCO ESD	1.0 EA	U029
382 0749 000	IC NE5532A ESD	2.0 EA	U034 U036
382 0975 000	IC, 74LS151 ESD	4.0 EA	U001 U002 U003 U004
382 1122 000	*IC NE5205A ESD	3.0 EA	U024 U028 U032
382 1218 000	IC 1007 ESD	1.0 EA	U035
382 1223 000	IC 12013 ESD	2.0 EA	U025 U026
382 1224 000	IC 12040 ESD	1.0 EA	U027
382 1231 000	IC MWA-130 ESD	1.0 EA	U021
382 1245 000	IC 75107A ESD	1.0 EA	U014
382 1246 000	IC PSCQ-2-160 ESD	1.0 EA	U017
382 1248 000	IC TDC1012/CLC912 ESD	1.0 EA	U010
382 1344 000	MIXER, SBL-1 DC-500 MHZ ESD	2.0 EA	MX001 MX002
382 1415 000	IC, HSP45102 33 MHZ ESD	1.0 EA	U009
382 1417 000	IC, 74LS163AN ESD	2.0 EA	U005 U006
384 0205 000	DIODE SILICON 1N914/4148 ESD	12.0 EA	CR001 CR006 CR007 CR008 CR009 CR010 CR011 CR012 CR013 CR018 CR019 CR020
414 0298 000	BEAD, FERRITE	1.0 EA	RFC001
484 0400 000	FILTER, LOW PASS 140MHZ	1.0 EA	U023
492 0795 000	IND, VAR, .06UH NOM	1.0 EA	L010
494 0384 000	CHOKER RF 1.00UH	1.0 EA	L003
494 0388 000	CHOKER RF 2.20UH	1.0 EA	L002
494 0389 000	CHOKER RF 2.70UH	1.0 EA	L001
494 0400 000	CHOKER RF 15.0UH	2.0 EA	L008 L009
494 0402 000	CHOKER RF 22.0UH	2.0 EA	L004 L005
494 0479 000	IND 3,300 UH 10%	2.0 EA	L006 L007
516 0417 000	CAP 1000PF 10% 200V	12.0 EA	C001 C023 C076 C077 C078 C084 C085 C089 C092 C096 C097 C100
516 0725 000	CAP 1.0UF 50V 20%	1.0 EA	C073
516 0771 000	CAP 33PF 5% 100V C0G	1.0 EA	C102
516 0783 000	CAP 330PF 5% 100V C0G	1.0 EA	C103
516 0823 000	CAP 1800PF 10% 100V	1.0 EA	C021
516 0825 000	CAP 3300PF 10% 100V	4.0 EA	C079 C080 C081 C082
516 0891 000	CAP 0.100UF 10% 50V	38.0 EA	C002 C003 C004 C005 C006 C007 C008 C009 C010 C011 C012 C013 C015 C016 C017 C018 C029 C030 C032 C033 C058 C059 C060 C061 C074 C075 C083 C086 C087 C088 C090 C093 C094 C095 C098 C099 C101 C104
516 0908 000	CAP 330PF 1% 100V COG	1.0 EA	C063
516 0923 000	CAP 150PF 10% 200V	1.0 EA	C020
516 0924 000	CAP 180PF 10% 200V	2.0 EA	C053 C055
516 0929 000	CAP 470PF 10% 200V	1.0 EA	C022

516 0930 000	CAP 560PF 10% 200V	2.0 EA	C054 C056
516 0932 000	CAP 1200PF 10% 100V	1.0 EA	C019
516 0999 000	CAP 4700PF 1% 100V C0G	2.0 EA	C062 C068
516 1000 000	CAP 1000PF 1% 100V C0G	2.0 EA	C064 C065
516 1001 000	CAP 3300PF 1% 100V C0G	1.0 EA	C067
516 1002 000	CAP 1800PF 1% 100V C0G	1.0 EA	C070
516 1003 000	CAP 0.01UF 1% 100V C0G	2.0 EA	C066 C071
522 0550 000	CAP 100UF 25V 20%	5.0 EA	C024 C028 C031 C036 C105
522 0570 000	CAP 2.2UF 50V 20%	5.0 EA	C014 C025 C026 C027 C037
522 0588 000	CAP 100UF 25V 20% NP	1.0 EA	C057
528 0037 000	DIODE, VARACTOR BB505	3.0 EA	CR021 CR022 CR023
540 0312 000	*RES 150 OHM 1W 10%	1.0 EA	R076
548 2400 001	RES 1 OHM 1/2W 1%	3.0 EA	R059 R066 R067
548 2400 126	RES 18.2 OHM 1/2W 1%	2.0 EA	R072 R074
548 2400 134	RES 22.1 OHM 1/2W 1%	1.0 EA	R092
548 2400 151	RES 33.2 OHM 1/2W 1%	1.0 EA	R101
548 2400 168	RES 49.9 OHM 1/2W 1%	8.0 EA	R011 R012 R032 R039 R060 R063 R071 R090
548 2400 201	RES 100 OHM 1/2W 1%	1.0 EA	R088
548 2400 218	RES 150 OHM 1/2W 1%	2.0 EA	R073 R075
548 2400 226	RES 182 OHM 1/2W 1%	1.0 EA	R006
548 2400 234	RES 221 OHM 1/2W 1%	4.0 EA	R001 R002 R077 R078
548 2400 258	RES 392 OHM 1/2W 1%	2.0 EA	R068 R069
548 2400 273	RES 562 OHM 1/2W 1%	3.0 EA	R062 R065 R085
548 2400 281	RES 681 OHM 1/2W 1%	1.0 EA	R007
548 2400 285	RES 750 OHM 1/2W 1%	4.0 EA	R035 R036 R040 R041
548 2400 301	RES 1K OHM 1/2W 1%	3.0 EA	R080 R081 R082
548 2400 318	RES 1.5K OHM 1/2W 1%	1.0 EA	R010
548 2400 326	RES 1.82K OHM 1/2W 1%	2.0 EA	R005 R089
548 2400 330	RES 2K OHM 1/2W 1%	3.0 EA	R009 R083 R084
548 2400 334	RES 2.21K OHM 1/2W 1%	1.0 EA	R091
548 2400 347	RES 3.01K OHM 1/2W 1%	3.0 EA	R037 R038 R087
548 2400 351	RES 3.32K OHM 1/2W 1%	4.0 EA	R033 R034 R042 R043 (NOTE: R086 OP-TIONAL)
548 2400 366	RES 4.75K OHM 1/2W 1%	2.0 EA	R004 R103
548 2400 426	RES 18.2K OHM 1/2W 1%	1.0 EA	R003
548 2400 447	RES 30.1K OHM 1/2W 1%	1.0 EA	R008
548 2400 501	RES 100K OHM 1/2W 1%	1.0 EA	R079
550 0621 000	POT, 200 OHM .5W 10%	1.0 EA	R102
556 0111 000	ATTEN 6DB 50 OHM	1.0 EA	U022
556 0112 000	ATTEN 10DB 50 OHM	1.0 EA	U030
604 0886 000	SW, SL DIP SPDT	8.0 EA	S001 S002 S003 S004 S005 S006 S007 S008
610 0900 000	HEADER 3 CKT STRAIGHT	1.0 EA	
612 1184 000	SHUNT JUMPER 0.1" CENTERS	1.0 EA	P001
620 0700 000	*RECPT, MALE SMB,PC MOUNT	6.0 EA	J001 J002 J003 J004 J005 J006
839 7900 686	SCHEM, SYNTH CARD 3	0.0 EA	
843 4999 610	PWB, SYNTH CARD 3	1.0 EA	
917 2100 497	CABLE, EXC 3-1/2" W1	2.0 EA	
917 2100 499	CABLE EXC 7" W3	1.0 EA	
917 2100 503	CABLE EXC 10" W7	3.0 EA	
917 2100 504	CABLE EXC 12" W8	1.0 EA	
939 2859 024	COAX CABLE, 50 OHM	1.0 EA	
999 2772 001	HARDWARE LIST, SYNTH CARD	1.0 EA	

Table 7-51. INTERNAL PFC KIT - 994 9155 002

<i>Harris PN</i>	<i>Description</i>	<i>QTY UM</i>	<i>Reference Designators (D)</i>
306 0016 000	NUT, HEX KEP 6-32	2.0 EA	
358 1073 000	BRAKE FOR KNOBPOT	1.0 EA	#R001
552 0781 000	POT 20K OHM 1.5W	1.0 EA	R001
700 1251 000	CRYSTAL OSCILLATOR	1.0 EA	
839 7900 503	SCHEM, INT PFC FREQ STD	0.0 EA	
917 2100 500	CABLE EXC 8" W4	1.0 EA	
917 2100 502	CABLE EXC 9" W6	1.0 EA	
939 7900 230	BRKT, POT MTG PFC OPTION	1.0 EA	
999 2812 001	WIRE/TUBING LIST, INT PFC	1.0 EA	